



MODULAR CORNER FLOOR AND WALL CABINETS 865MM

MODEL NO'S: **APMS60, APMS61**

Thank you for purchasing a Sealey product. Manufactured to a high standard, this product will, if used according to these instructions, and properly maintained, give you years of trouble free performance.

IMPORTANT: PLEASE READ THESE INSTRUCTIONS CAREFULLY. NOTE THE SAFE OPERATIONAL REQUIREMENTS, WARNINGS & CAUTIONS. USE THE PRODUCT CORRECTLY AND WITH CARE FOR THE PURPOSE FOR WHICH IT IS INTENDED. FAILURE TO DO SO MAY CAUSE DAMAGE AND/OR PERSONAL INJURY AND WILL INVALIDATE THE WARRANTY. KEEP THESE INSTRUCTIONS SAFE FOR FUTURE USE.



Refer to
Instruction
Manual



Wear
Protective
Gloves

1. SAFETY

- WARNING!** Ensure Health & Safety, local authority, and general workshop practice regulations are adhered to when using this storage system.
- ✓ Locate in a suitable work area.
- ✓ Keep the work area clean, uncluttered and ensure there is adequate lighting.
- WARNING!** Use storage on level and solid ground, preferably concrete.
- ✓ Keep the storage system clean and tidy in accordance with good workshop practice.
- ✓ Keep children and unauthorised persons away from the work area.
- ✗ **DO NOT** use the storage system for any purpose other than that for which it is designed.
- ✗ **DO NOT** use the storage system outdoors.
- ✗ **DO NOT** place the storage system in a damp or wet location or an area where there is condensation.
- ✗ **DO NOT** clean the storage system with any solvents which may damage the surfaces or the protective coating.
- ✗ **DO NOT** move the storage system when there are items placed inside.
- ✗ **DO NOT** step on the shelves.
- ✗ **DO NOT** overload the storage system.

2. INTRODUCTION

Modular storage system ideal for any garage/workshop. Durable construction that will last for years. Easily adjusts to specific needs. Purchase a simple base cabinet or create a full workshop storage system.

APMS60: Don't forget to order your choice of pressed wood or stainless steel worktop separately. Use as part of a complete garage storage system or as an individual storage unit. Aluminium handle. Choice of stainless steel or pressed wood worktop. Features one adjustable shelf. Supplied flat packed for ease of transportation and requires some self-assembly. High quality lock with two keys.

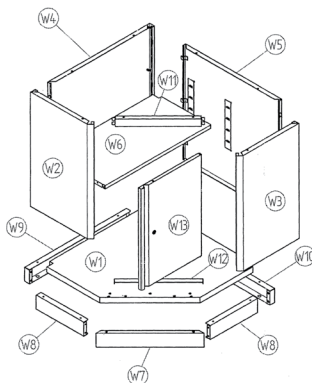
APMS61: For use with Model No. APMS60 corner floor cabinet. Supplied with the appropriate fixings to make integral self supporting unit, or use in conjunction with Model No's APMS60BP (x2), APMS50UCS (x2) and APMS50UCD (x2) to link to APMS60 and create a full corner system. Lift-up door is supported by gas struts. Aluminium handles.

3. SPECIFICATION

APMS60 Overall size865 x 865 x 910mm
APMS61 Overall size865 x 865 x 350mm

4. CONTENTS: APMS60

APMS60



PARTS LIST

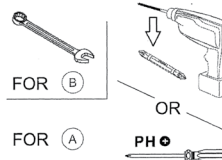
ITEM	DESCRIPTION	QTY.
W1	Bottom Panel	1
W2	Left Side Panel	1
W3	Right Side Panel	1
W4	Left Back Panel	1
W5	Right Back Panel	1
W6	Adjustable Shelf	1
W7	Base Front Panel	1
W8	Base short Side Panel	2
W9	Base long Side Panel	1
W10	Base back Panel	1
W11	Ledge Panel	1
W12	Baffle	1
W13	Door	1

HARDWARE CONTENTS

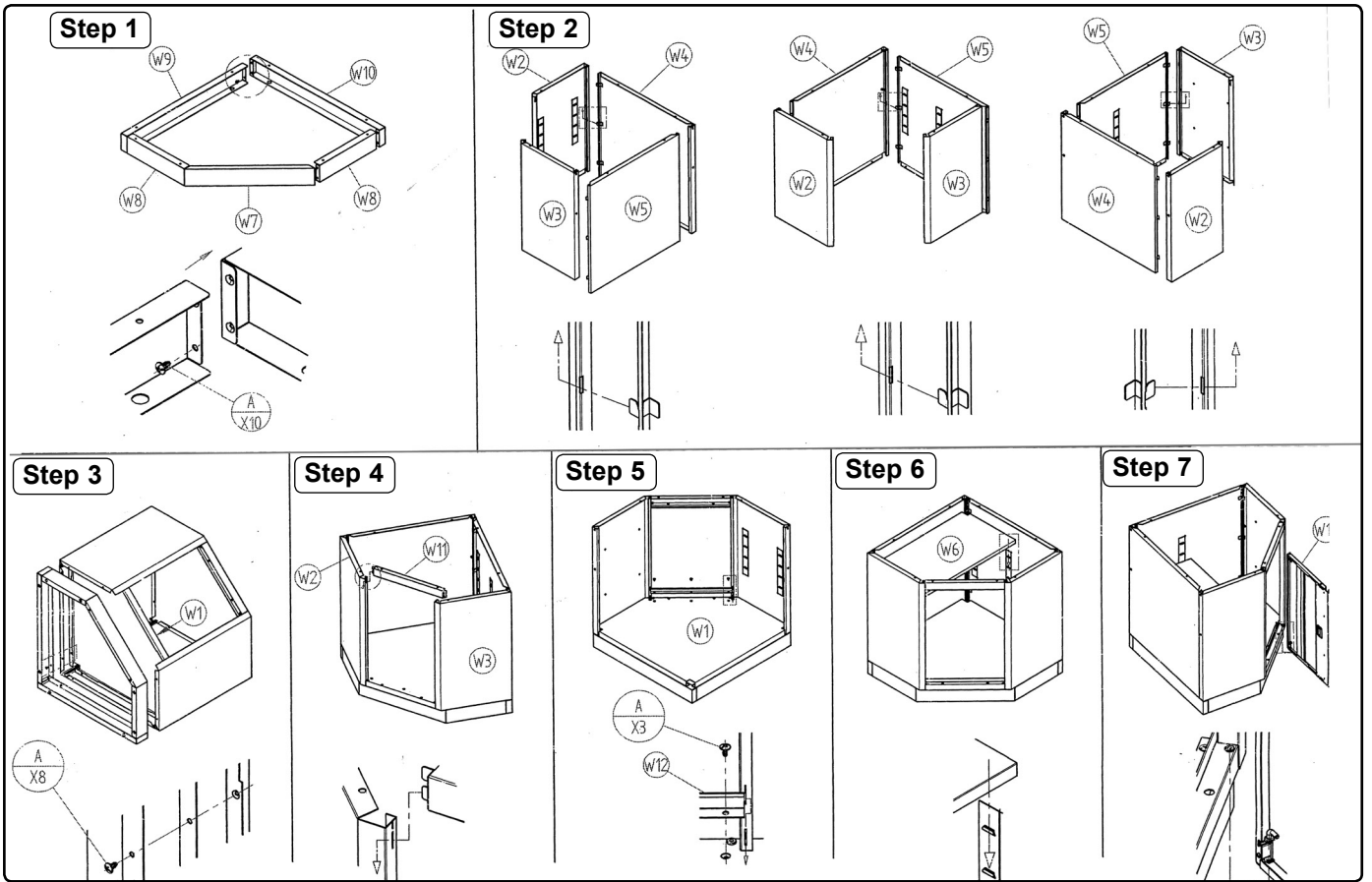
NO.	DESCRIPTION	QTY.
A	Screws ST6x12	21+1
B	Bolts M6x12	16



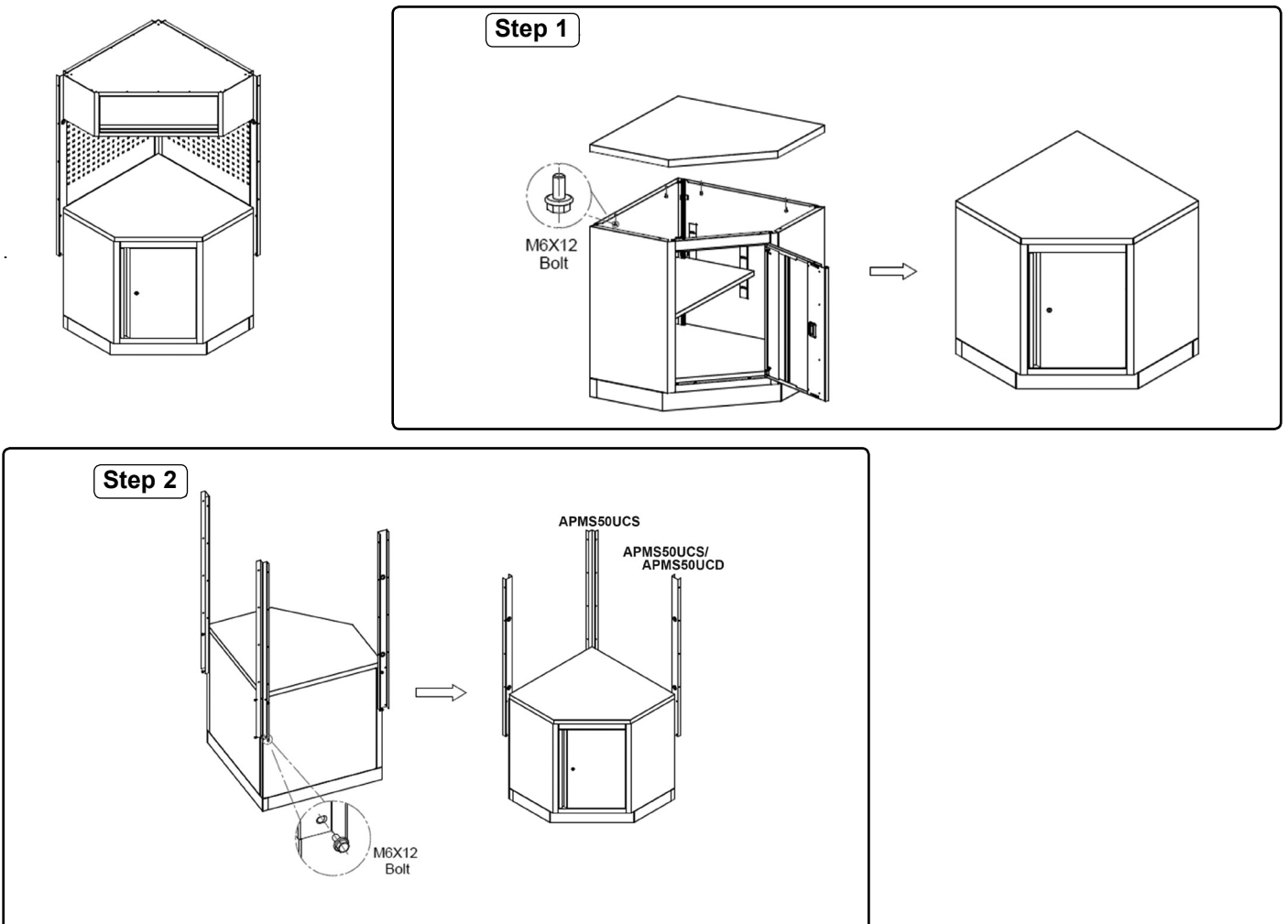
RECOMMENDED TOOLS FOR INSTALLATION



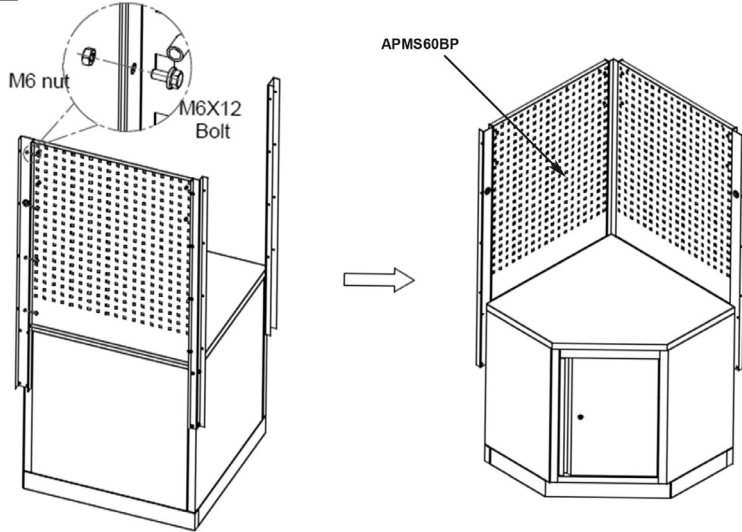
5. ASSEMBLY: APMS60



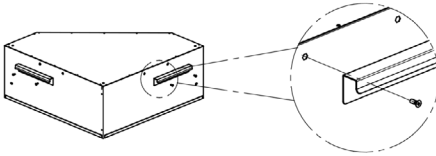
6. ASSEMBLY: APMS61



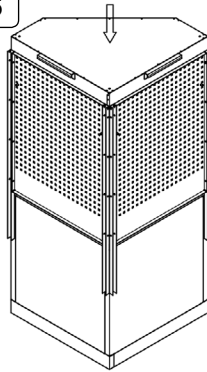
Step 3



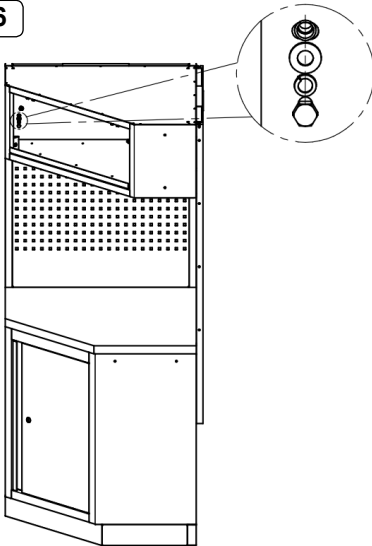
Step 4



Step 5



Step 6



APMS61 Hardware



Hex Bolt (M8x16)



Washer (D8)



Spring Washer (D8)



Sunk Screw (M6x16)



ENVIRONMENT PROTECTION

Recycle unwanted materials instead of disposing of them as waste. All tools, accessories and packaging should be sorted, taken to a recycling centre and disposed of in a manner which is compatible with the environment. When the product becomes completely unserviceable and requires disposal, drain any fluids (if applicable) into approved containers and dispose of the product and fluids according to local regulations.

Note: It is our policy to continually improve products and as such we reserve the right to alter data, specifications and component parts without prior notice.

Important: No Liability is accepted for incorrect use of this product.

Warranty: Guarantee is 12 months from purchase date, proof of which is required for any claim.

Sealey Group, Kempson Way, Suffolk Business Park, Bury St Edmunds, Suffolk. IP32 7AR



01284 757500



01284 703534



sales@sealey.co.uk



www.sealey.co.uk