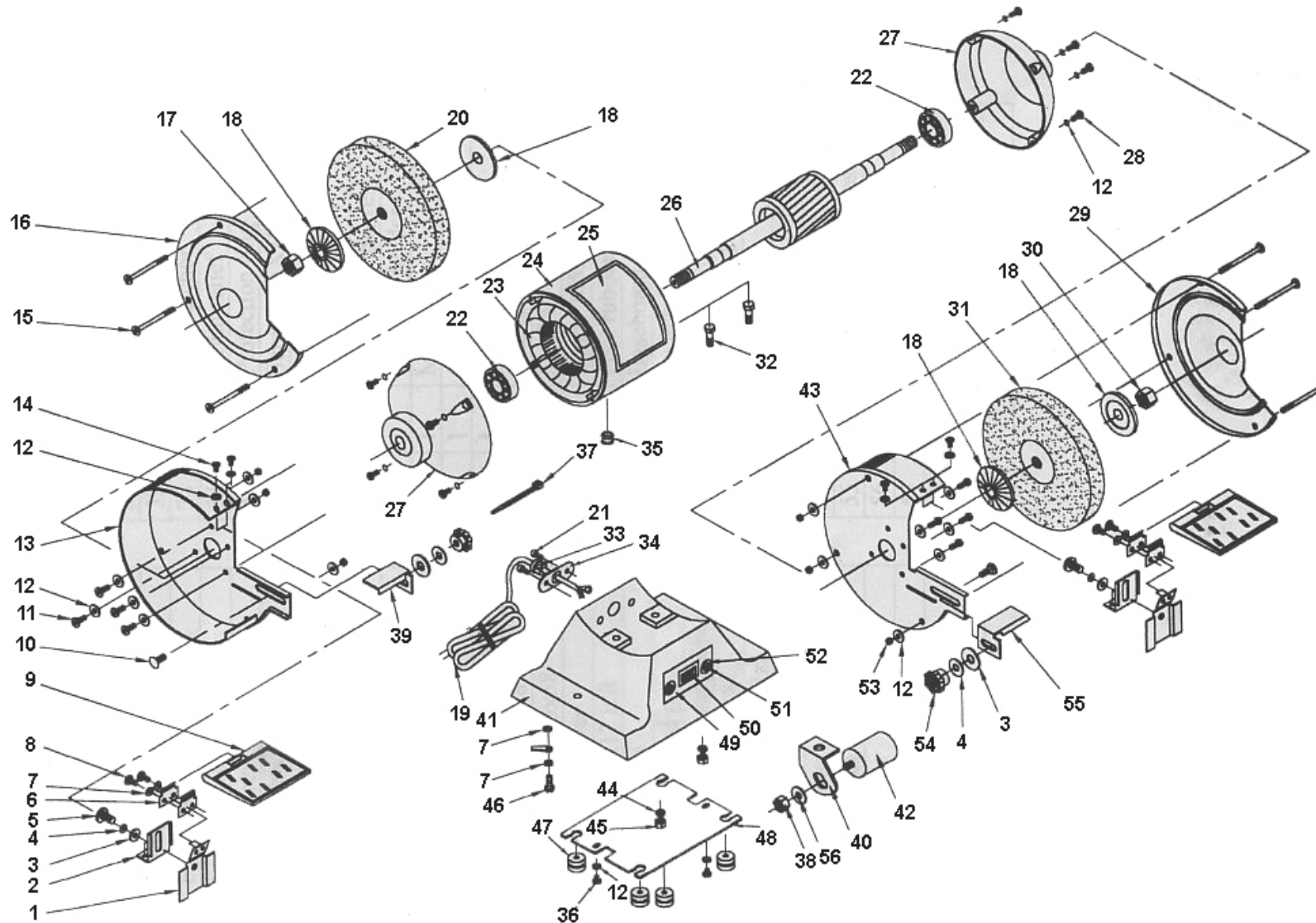




Parts Information:
Bench Grinder Ø150mm with Wire Wheel 370W/230V
Model No: BG150XLW/98.V2



Sealey Group, Kempson Way, Suffolk Business Park, Bury St Edmunds, Suffolk. IP32 7AR



01284 757500



01284 703534



sales@sealey.co.uk



www.sealey.co.uk



Parts Information:
**Bench Grinder Ø150mm with Wire Wheel
 370W/230V
 Model No: BG150XLW/98.V2**

Item	Part No.	Description
1	BG150XL96V201	EYESHIELD BRACKET
2	BG150XL96V202	BRACKET SUPPORT
3	RW619.S	REPAIR WASHER M6x19 (SINGLE)
4	FWM6.S	FLAT WASHER M6 SINGLE
5	MSP610.S	MACHINE SCREW PAN HEAD PHILLIPS M6x10mm (SINGLE)
6	BG150XL96V206	EYESHIELD HOLDER
7	FWM4.S	FLAT WASHER M4 SINGLE
8	MSP46.S	MACHINE SCREW PAN HEAD PHILLIPS M5x6mm (SINGLE)
9	BG150XL96V209	EYESHIELD
10	BG150XL96V210	BOLT M6x16
11	MSP510.SB	MACHINE SCREW PAN HEAD PHILLIPS M5x10mm BLACK
12	FWM5.S	FLAT WASHER M5 SINGLE
13	BG150XL96V213	LEFT WHEEL GUARD
14	BG150XL96V214	SCREW M5x8
15	BG150XL96V215	SCREW M5x58
16	BG150XL96V216	LEFT COVER, WHEEL GUARD
17	BG150XL96V217	NUT M12 LEFT
18	BG150XL96V218	WHEEL FLANGE
19	BG150XL96V219	CORD & PLUG
20	BG150/15	GRINDING STONE 150x20mm 32(13)mm BORE A60P FINE
--	BG150/16	GRINDING STONE 150x20mm 32(13)mm BORE A36Q COARSE
21	BG150XL96V221	SCREW M5x8
22	B/6202ZZ	BEARING 6202ZZ
23	BG150XL96V223	STATOR
24	BG150XL96V224	MOTOR CASE
25	BG150XL96V225	LABEL
26	BG150XL96V226	ROTOR
27	BG150XL96V227	END CASING

Item	Part No.	Description
28	BG150XL96V228	SCREW M5x16
29	BG150XL96V229	RIGHT COVER, WHEEL GUARD
30	BG150XL96V230	NUT M12 LEFT
31	BG150/WW1	WIRE WHEEL 150 x 13mm 13mm BORE NARROW
--	BG150/WW2	WIRE WHEEL 150 x 20mm WIDE 13mm BORE
32	BG150XL96V232	BOLT M6x25
33	BG150XL96V233	CORD GRIP
34	BG150XL96V234	STRAIN RELIEF
35	BG150XL96V235	PROTECTION RING
36	BG150XL96V236	SCREW M5x10
37	BG150XL96V237	CABLE TIE
38	SN8.S	STEEL NUT M8 ZINC DIN934 (SINGLE)
39	BG150XL96V239	TOOL REST, LEFT
40	BG150XL96V240	CAPACITOR HOLDER
41	BG150XL96V241	BASE
42	BG150XL96V242	CAPACITOR
43	BG150XL96V243	RIGHT WHEEL GUARD
44	FWM6.S	FLAT WASHER M6 SINGLE
45	SN6.S	STEEL NUT M6 ZINC DIN934 (SINGLE)
46	BG150XL96V246	SCREW M5x8
47	BG150XL96V247	RUBBER FOOT
48	BG150XL96V248	BASE PLATE
49	BG150XL96V249	SWITCH LABEL
50	BG150XL96V250	SWITCH
51	MSP310.S	MACHINE SCREW PAN HEAD PHILLIPS M3x10mm (SINGLE)
52	FWM3.S	FLAT WASHER M3 SINGLE
53	SN5.S	STEEL NUT M5 ZINC DIN934 (SINGLE)
54	BG150XL/96-TF	TOOL REST FIXING COMPLETE
55	BG150XL96V255	RIGHT ADJUSTABLE REST
56	FWM8.S	FLAT WASHER M8 SINGLE

NOTE: It is our policy to continually improve products and as such we reserve the right to alter data, specifications and component parts without prior notice.

IMPORTANT: No liability is accepted for incorrect use of product.

WARRANTY: Guarantee is 12 months from purchase date, proof of which will be required for any claim.

Sealey Group, Kempson Way, Suffolk Business Park, Bury St Edmunds, Suffolk. IP32 7AR



01284 757500



01284 703534



sales@sealey.co.uk



www.sealey.co.uk