



ENGINE SUPPORT BEAM 500KG

MODEL NO: ES500.V2

Thank you for purchasing a Sealey product. Manufactured to a high standard, this product will, if used according to these instructions, and properly maintained, give you years of trouble free performance.

IMPORTANT: PLEASE READ THESE INSTRUCTIONS CAREFULLY. NOTE THE SAFE OPERATIONAL REQUIREMENTS, WARNINGS & CAUTIONS. USE THE PRODUCT CORRECTLY AND WITH CARE FOR THE PURPOSE FOR WHICH IT IS INTENDED. FAILURE TO DO SO MAY CAUSE DAMAGE AND/OR PERSONAL INJURY AND WILL INVALIDATE THE WARRANTY. KEEP THESE INSTRUCTIONS SAFE FOR FUTURE USE.



Refer to instructions



Wear protective gloves



Wear safety footwear



Wear protective clothing

1. SAFETY

- ✓ Ensure that the engine support is in good working order. Take action for immediate repair or replacement of damaged parts. Use genuine parts only. The use of unauthorised parts may be dangerous and will invalidate the warranty.
- ✓ Locate the vehicle in a suitable, well lit work area.
- ✓ Keep work area clean and tidy and free from unrelated materials.
- ✓ Ensure the vehicle handbrake is engaged and the engine/motor is switched off.
- ✓ Ensure all non-essential persons keep a safe distance whilst the engine support is in use.
- ✗ **DO NOT** use the engine support if damaged.
- ✗ **DO NOT** allow untrained persons to operate the engine support.
- ✗ **DO NOT** use the engine support for purposes other than that for which it is designed.
- ✗ **DO NOT** exceed the rated capacity of the engine support.
- ✓ When not in use, store engine support in a safe, dry, childproof area.

2. INTRODUCTION

Designed to support and accurately position engines during maintenance operations such as replacing anti-vibration mountings and certain body panels. Also used as an aid for the removal of gearboxes and transmissions. Beams supported on rubber feet and fine adjustment control is obtained by using screw/hook mechanism. Supplied with a short length of chain.

3. SPECIFICATION

Maximum Capacity.....	500kg
Minimum Width.....	1120mm
Maximum Width.....	1910mm
Screw Travel.....	.230mm
Weight.....	14.02kg

4. CONTENTS

Item	Description
1	Grip (handle bar)
2	Operating clamp assy.
3	Washer 22mm internal Ø
4	Grip
5	Washer 11mm internal Ø
6	Telescopic beam
7	Standing block
8	Washer 21mm internal Ø
9	Bolt & Locknut 16mm
10	Grip (small)
11	Foot
12	Rubber block
13	Adjustable screw
14	Chain
15	Beam

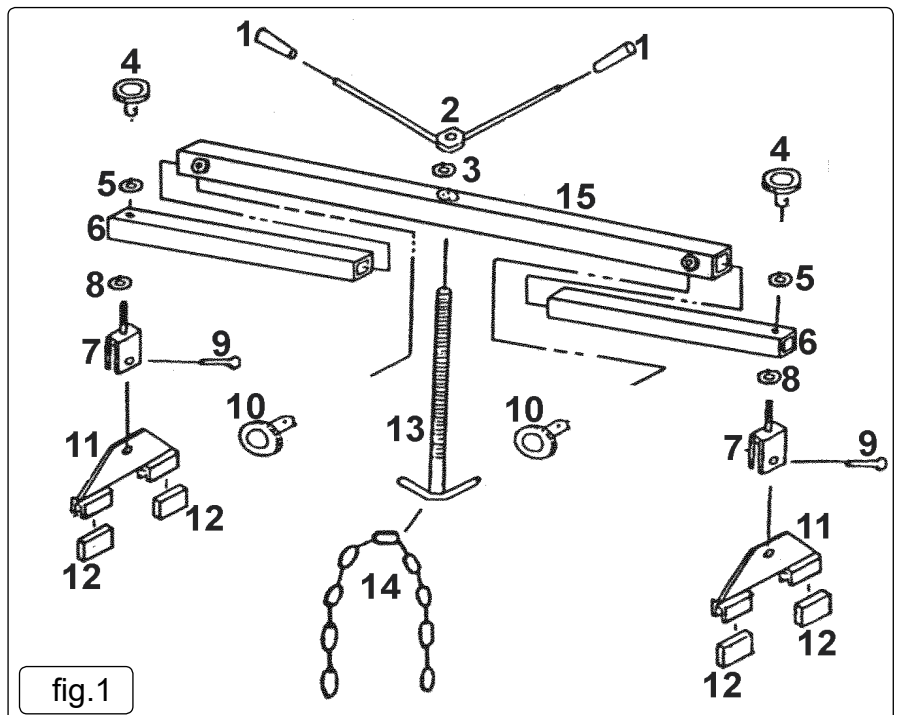


fig.1

5. ASSEMBLY

Note: Numbers in brackets refer to item numbers shown in the parts diagram.

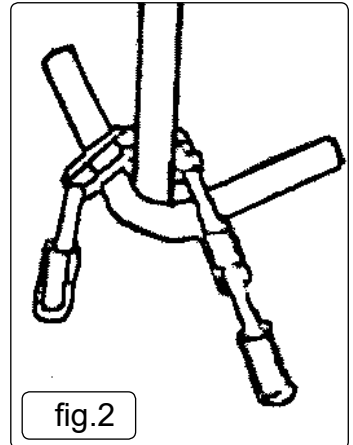
- 5.1. Insert the telescopic beam (6) into the beam (15) and secure using the grip (10).
- 5.2. Remove the grip (4) and washer (5) from the standing block (7), pass the threaded section of the standing block through the hole in the telescopic beam (6) and secure using the washer (5) and grip (4).
- 5.3. Remove the bolt and locknut (9) from the standing block (7), insert the foot assembly (11) and secure using the bolt and locknut (9).
- 5.4. Repeat paragraphs 5.1 to 5.3 at the other end of the beam (15).
- 5.5. Slot the threaded section of the adjustable screw (13) up through the centre hole in the beam (15), fit the washer (3) and secure using the operating clamp assembly (2).
- 5.6. The engine support is now ready for use.

Note: Ensure all grips and nuts are tightened before applying a load.

6. OPERATION

Note: Numbers in brackets refer to item numbers shown in the parts diagram.

- 6.1. Ensure the adjustable screw (13) is wound to its highest position to prevent damage whilst locating the engine support over an engine bay.
 - 6.2. Ensure the grips (4 & 10) are loose and locate the rubber blocks (12) in the gutters of the vehicle's front wing panels or close to the suspension strut towers.
 - 6.3. Attach the ends of the chain to the lifting brackets on the engine.
- Note:** Refer to manufacturer's handbook to identify lifting brackets.
- 6.4. Lower the adjustable screw and hook the chain around the hook as shown in fig.2.
 - 6.5. Tighten all four grips (4 & 10) and all nuts.
 - 6.6. Rotate the operating clamp assembly to tighten the chain and support the engine.
 - 6.7. On completion of the maintenance task, rotate the operating clamp assembly to release the tension on the chain.
 - 6.8. Unhook the chain, loosen both grips (4 & 10) and remove the engine support from the vehicle.
 - 6.9. Remove the chain from the engine lifting points.



ENVIRONMENT PROTECTION

Recycle unwanted materials instead of disposing of them as waste. All tools, accessories and packaging should be sorted, taken to a recycling centre and disposed of in a manner which is compatible with the environment. When the product becomes completely unserviceable and requires disposal, drain any fluids (if applicable) into approved containers and dispose of the product and fluids according to local regulations.

Note: It is our policy to continually improve products and as such we reserve the right to alter data, specifications and component parts without prior notice.

Important: No Liability is accepted for incorrect use of this product.

Warranty: Guarantee is 12 months from purchase date, proof of which is required for any claim.

Sealey Group, Kempson Way, Suffolk Business Park, Bury St Edmunds, Suffolk. IP32 7AR



01284 757500



01284 703534



sales@sealey.co.uk



www.sealey.co.uk