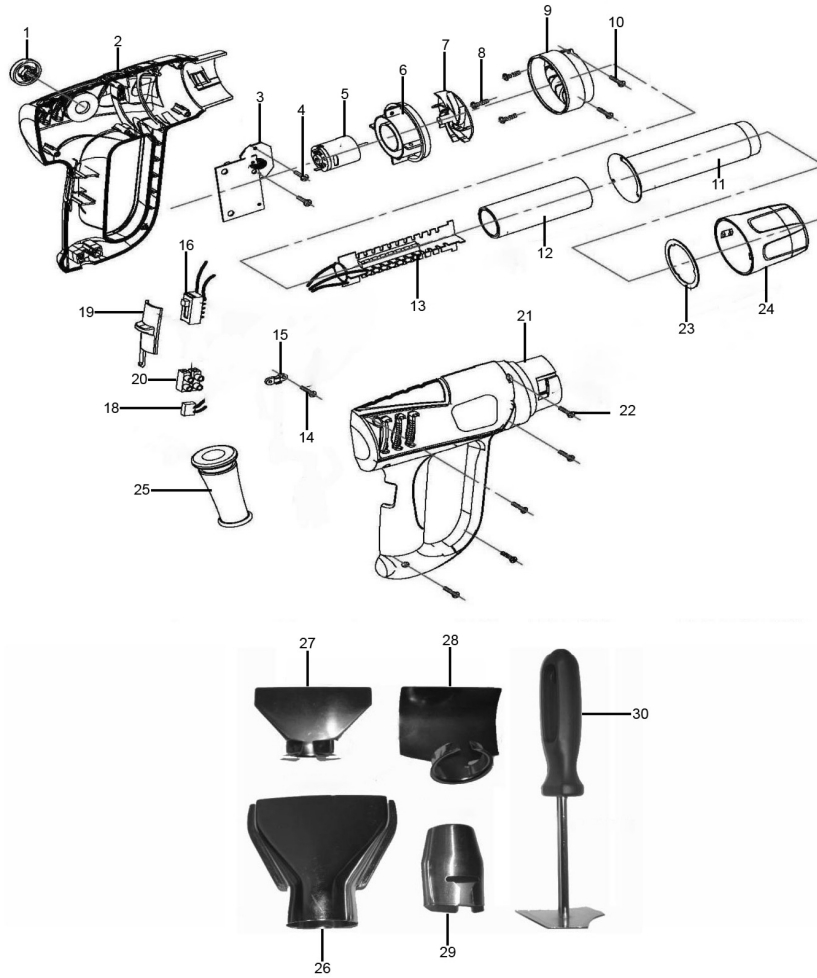




Parts Information:  
**Variable Temperature Hot Air Gun Kit**  
**2000W 50-450°C/90-600°C**  
**Model No: HS107K**



Item	Part No.	Description
1	HS107K.01	Rotary Button
2	HS107K.02	Housing, Left
3	HS107K.03	PCB
4	HS107K.04	Rd Head S/T Screw M2.9 x 10mm, Black
5	HS107K.05	Motor
6	HS107K.06	Motor Support
7	HS107K.07	Fan
8	MSP310.S	Machine Screw Pan Head Phillips M3 x 10mm
9	HS107K.09	Fan Cover
10	HS107K.10	Screw
11	HS107K.11	Tube
12	HS107K.12	Mica Sheet
13	HS107K.13	Heating Element
14	HS107K.14	Rd Head S/T Screw M2.9 x 15mm, Black
15	HS107K.15	Cable Grip

Item	Part No.	Description
16	HS107K.16	Switch, Power Setting Slider
18	HS107K.18	Capacitor
19	HS107K.19	Cover, Switch
20	HS107K.20	Terminal Block
21	HS107K.21	Housing, Right
22	HS107K.22	Rd Head S/T Screw M3 x 14mm, Black
23	HS107K.23	Gasket
24	HS107K.24	Front Cover
25	HS107K.25	Cord Sleeve
26	HS107K.26	Fish Tail Nozzle
27	HS107K.27	Wide Scraper
28	HS107K.28	Deflector
29	HS107K.29	Cone Nozzle
30	HS107K.30	Scraper

**NOTE:** It is our policy to continually improve products and as such we reserve the right to alter data, specifications and component parts without prior notice. There may be alternative versions of this product, please contact us should you require this information.

**IMPORTANT:** No liability is accepted for incorrect use of product. Spare parts must be fitted by a competent person

**WARRANTY:** Guarantee is 12 months from purchase date, proof of which will be required for any claim.

Sealey Group, Kempson Way, Suffolk Business Park, Bury St Edmunds, Suffolk. IP32 7AR



01284 757500



01284 703534



sales@sealey.co.uk



www.sealey.co.uk