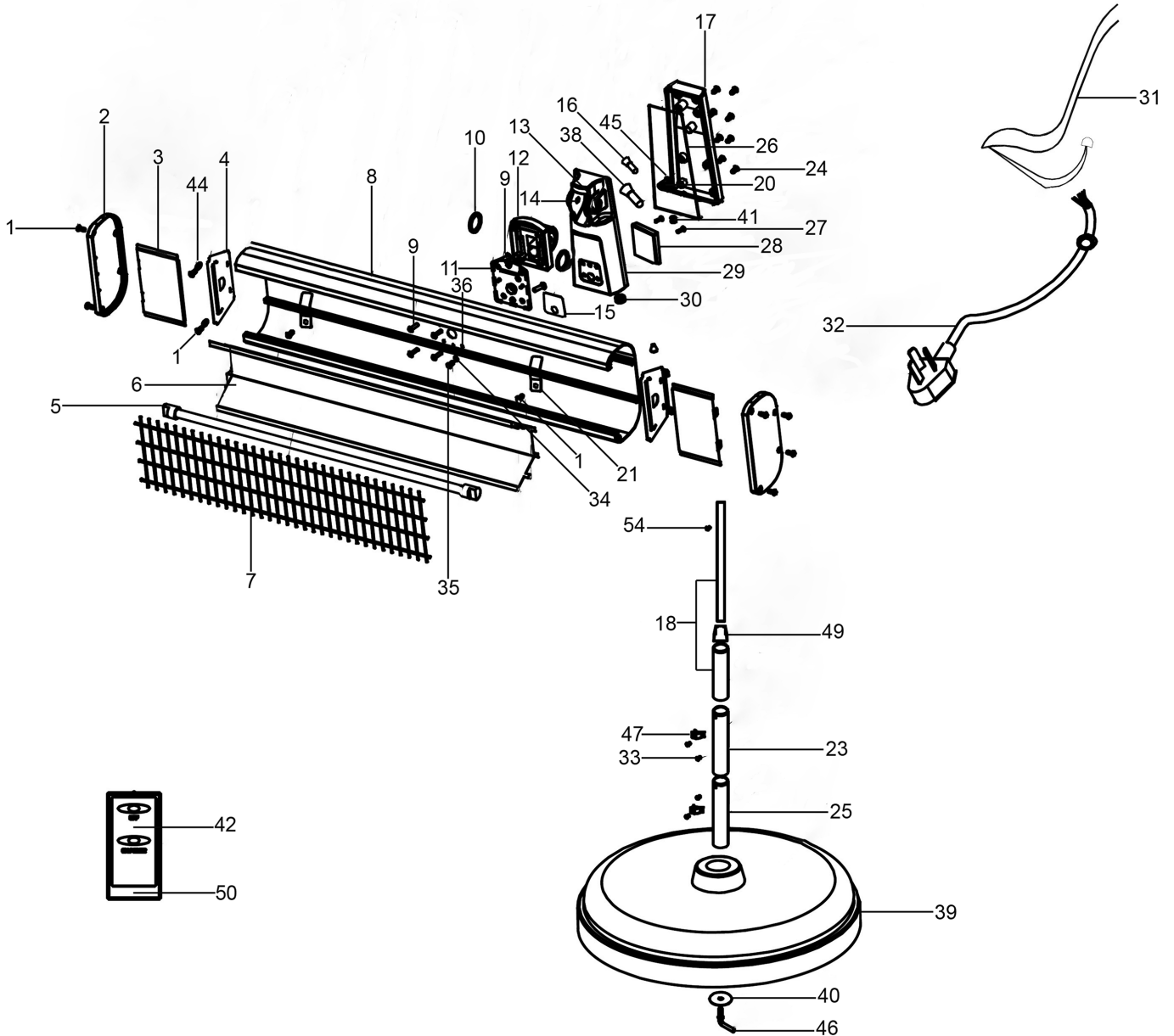




Parts Information:
**High Efficiency Carbon Fibre Infrared Patio
Heater 1800W/230V with Telescopic Floor
Stand**
Model No: IFSH1809R



NOTE: It is our policy to continually improve products and as such we reserve the right to alter data, specifications and component parts without prior notice. There may be alternative versions of this product, please contact us should you require this information.

IMPORTANT: No liability is accepted for incorrect use of product. Spare parts must be fitted by a competent person

WARRANTY: Guarantee is 12 months from purchase date, proof of which will be required for any claim.

Sealey Group, Kempson Way, Suffolk Business Park, Bury St Edmunds, Suffolk. IP32 7AR



01284 757500



01284 703534



sales@sealey.co.uk



www.sealey.co.uk



Parts Information:
**High Efficiency Carbon Fibre Infrared Patio
Heater 1800W/230V with Telescopic Floor
Stand**
Model No: IFSH1809R

Item	Part No.	Description
1	IWMH1809R.01	Rd Head S/T Screw M3 x 10mm (Security)
2	IWMH1809R.02	Side Cover
3	IWMH1809R.03	Heater Panel
4	IWMH1809R.04	Reflector Bracket
5	IWMH1809R.05	Heating Element
6	IWMH1809R.06	Reflector
7	IWMH1809R.07	Guard
8	IWMH1809R.08	Heater Housing
9	IWMH1809R.42	Rd Head S/T Screw M3.8 x 10mm
10	IWMH1809R.10	Hinge Seal Ring
11	IWMH1809R.11	Hinge Cover
12	IWMH1809R.12	Hinge
13	MSP840.S	Machine Screw Pan Head Phillips M8 x 40mm
14	IWMH1809R.14	Half Nut M8
15	IFSH1809R.15	PVC Sticker
16	IWMH1809R.16	Connector Cap
17	IWMH1809R.17	Cover, Control Box
18	IFSH1809LR.54	Upper Tube Assembly
20	IWMH1809R.20	Cord Clamp
21	IWMH1809R.21	Clip, Internal Wires
23	IFSH1809LR.55	Middle Tube
24	IWMH1809R.24	Rd Head S/T Screw M4 x 14mm (Security)
25	IFSH1809LR.57	Lower Tube
26	IWMH1809R.26	Seal Ring
27	SA44.V3-02	Rd Head S/T Screw M3 x 8mm (Flat End)
28	IWMH1809R.28	Receiver PCB, Remote Control
29	IWMH1809R.29	Control Box

Item	Part No.	Description
30	IWMH1809R.30	Cord Bush
31	IWMH1809R.31	Internal Wires Assembly
32	MC3CX1.0R	Mains Cable
33	IFSH1809LR.56	Screw M6 x 8mm
34	TS10SEW.121	Ext Tooth Washer M4
35	IWMH1809R.35	Screw M4 x 10mm
36	SWM4.S	Spring Washer M4
38	IWMH1809R.43	Connector Cap
39	IFSH1809LR.58	Base
40	IFSH1809LR.63	Washer
41	IWMH1809R.44	Plastic Plug
42	IFSH1809R.38	Label, Remote Control
44	IWMH1809R.41	Ext Tooth Washer M3, Black
45	IWMH1809R.42	Rd Head S/T Screw M3.8 x 10mm
46	IFSH1809LR.64	Screw, L-Shaped
47	IFSH1809LR.65	Cord Clip
49	IFSH1809LR.53	Outer Fastener
50	IWMH1809R.45	Upper Housing, Remote Control
54	MSP615.S	Machine Screw Pan Head Phillips M6 x 15mm
--	IFSH1809LR.52	Inner Fastener (Not Shown)
--	SN4.S	Steel Nut M4 (Not Shown)
--	SMC01.V2-04	Rd Head S/T Screw M3 X 6 (Not Shown)
--	IFSH1809LR.66	Screw M4 x 8mm (Not Shown)
--	IWMH1809R.46	Lower Housing, Remote Control (Not Shown)
--	IWMH1809R.47	Battery Cover (Not Shown)
--	IWMH1809R.48	PCB, Remote Control (Not Shown)

NOTE: It is our policy to continually improve products and as such we reserve the right to alter data, specifications and component parts without prior notice. There may be alternative versions of this product, please contact us should you require this information.

IMPORTANT: No liability is accepted for incorrect use of product. Spare parts must be fitted by a competent person

WARRANTY: Guarantee is 12 months from purchase date, proof of which will be required for any claim.

Sealey Group, Kempson Way, Suffolk Business Park, Bury St Edmunds, Suffolk. IP32 7AR



01284 757500



01284 703534



sales@sealey.co.uk



www.sealey.co.uk