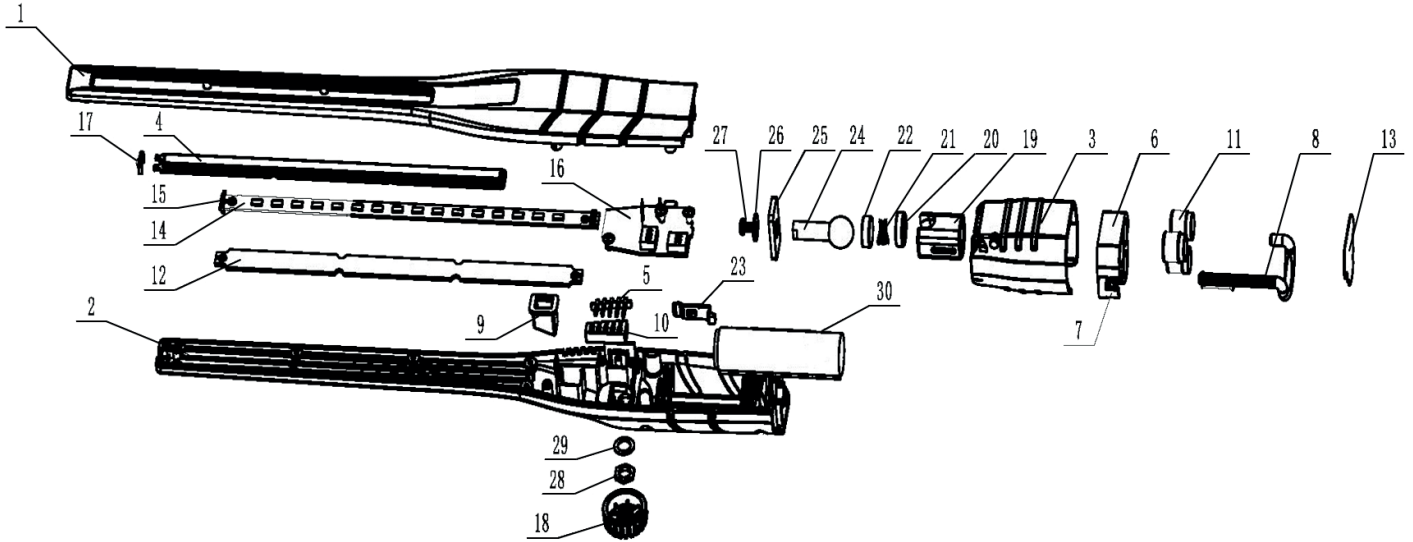


Parts Information:  
**Rechargeable 360° Slim Inspection Lamp**  
**16 SMD LED + 1W LED Red Lithium-ion**  
**Model No: LED3604R**



Item	Part No.	Description
1	LED3604R.01	FRONT HOUSING 'RED'
2	LED3604R.02	BACK HOUSING 'RED'
3	LED3604R.03	HANDLE 'RED'
4	LED3604.04	CLEAR LENS
5	LED3604.05	REFLECTOR
6	LED3604.06	MAGNETIC BASE
7	LED3604.07	HOOK SUPPORT
8	LED3604.08	NYLON HOOK
9	LED3604.09	SWITCH CAP FOR HEADLIGHT
10	LED3604.10	INDICATOR SUPPORT
11	LED3604.11	MAGNET
12	LED3604.12	PLATE
13	LED3604.13	BOTTOM STICKER
14	LED3604.14	12SMD PCB
15	LED3604.15	HEAD LED PCB
16	LED3604.16	PCB

Item	Part No.	Description
17	LED3604.17	HEAD LED LENS
18	LED3604.18	LIGHT SWITCH
19	LED3604.19	SMALL BALL SUPPORT
20	LED3601.13	PIVOT PROTECTION RING
21	LED3601.24	WAVE SPRING
22	LED3601.13	PIVOT PROTECTION RING
23	LED3604.23	CHARGING SOCKET COVER
24	LED3601.23	PIVOT
25	LED3601.07	PIVOT PLATE
26	LED3604.26	WASHER M12
27	LED3604.27	SCREW M4x6
28	LED3604.28	HEX NUT M6
29	LED3604.29	WASHER 11mm
30	LED3604.30	BATTERY 3.7V 2600mAh
--	LED3602G.41	MICRO USB WITH 5PIN CABLE (not shown)

**NOTE:** It is our policy to continually improve products and as such we reserve the right to alter data, specifications and component parts without prior notice.

**IMPORTANT:** No liability is accepted for incorrect use of product.

**WARRANTY:** Guarantee is 12 months from purchase date, proof of which will be required for any claim.