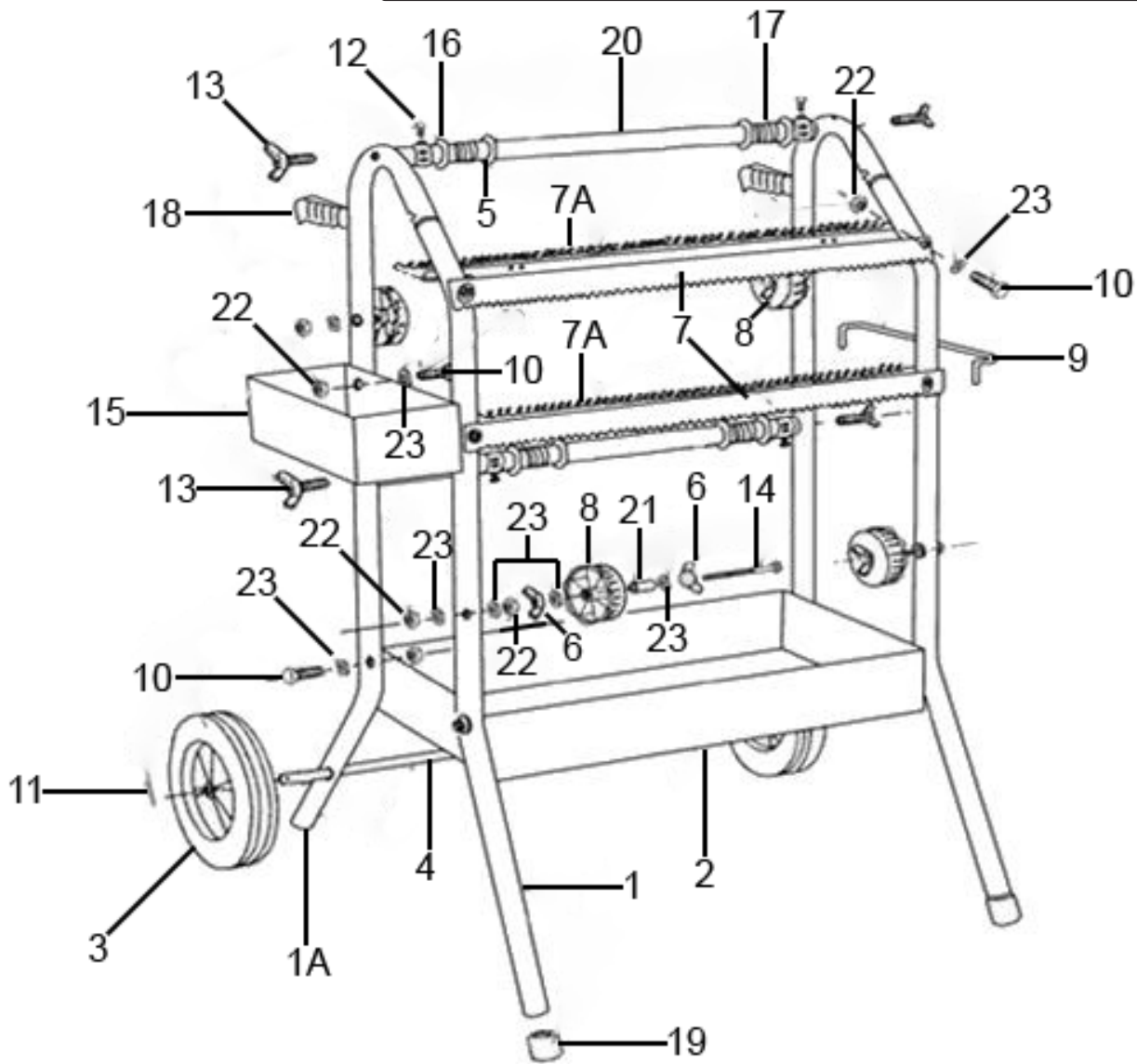


Parts Information:  
**Masking Paper Dispenser 2 x 450mm**  
**Trolley**  
**Model No: MK66.V4**



Item	Part No.	Description
1	MK66.V4-01	Front Frame
1A	MK66.V4-01A	Rear Frame
2	MK66.V4-02	Tool Tray, Large
3	MK66.V4-03	Wheel, Fixed
4	MK66.V4-04	Axle
5	MK66.V4-05	Paper Holding Ring
6	MK66.V4-06	Wing Nut
7	MK66.V4-07	Cutting Blade
7A	MK66.V4-07A	Spring, Cutting Blade
8	MK66.V4-08	Tape Reel
9	MK66.V4-09	Hanger Bar
10	MK66.V4-10	Bolt
11	MK66.V4-11	Cotter Pin

Item	Part No.	Description
12	MK66.V4-12	Wing Bolt M5 x 15mm
13	MK66.V4-13	Wing Bolt
14	MK66.V4-14	Long Bolt
15	MK66.V4-15	Tool Tray, Small
16	MK66.V4-16	Washer, Paper Holding
17	MK66.V4-17	Spring, Paper Holding
18	MK66.V4-18	Handle Grip
19	MK66.V4-19	Plastic Tube Cover
20	MK66.V4-20	Paper Bar
21	MK66.V4-21	Bushing, Tape Reel
22	MK66.V4-22	Nut M6
23	MK66.V4-23	Washer M6

**NOTE:** It is our policy to continually improve products and as such we reserve the right to alter data, specifications and component parts without prior notice. There may be alternative versions of this product, please contact us should you require this information.

**IMPORTANT:** No liability is accepted for incorrect use of product. Spare parts must be fitted by a competent person

**WARRANTY:** Guarantee is 12 months from purchase date, proof of which will be required for any claim.