

Thank you for purchasing a Sealey product. Manufactured to a high standard, this product will, if used according to these instructions, and properly maintained, give you years of trouble free performance.

**IMPORTANT:** PLEASE READ THESE INSTRUCTIONS CAREFULLY. NOTE THE SAFE OPERATIONAL REQUIREMENTS, WARNINGS & CAUTIONS. USE THE PRODUCT CORRECTLY AND WITH CARE FOR THE PURPOSE FOR WHICH IT IS INTENDED. FAILURE TO DO SO MAY CAUSE DAMAGE AND/OR PERSONAL INJURY AND WILL INVALIDATE THE WARRANTY. KEEP THESE INSTRUCTIONS SAFE FOR FUTURE USE.



Refer to instruction manual

### 1. SAFETY

- ✓ Ensure the dispenser is on a reasonably flat, level floor before loading.
- ✓ Be aware that the paper cutting blades are sharp, handle with care.
- ✗ **DO NOT** use the dispenser for any purpose other than that for which it is designed.

### 2. INTRODUCTION

Two roll dispenser accepts rolls up to 900mm and features storage tray underneath dispenser unit. Automatically applies adhesive tape to edges of masking paper. Papers and tapes not included.

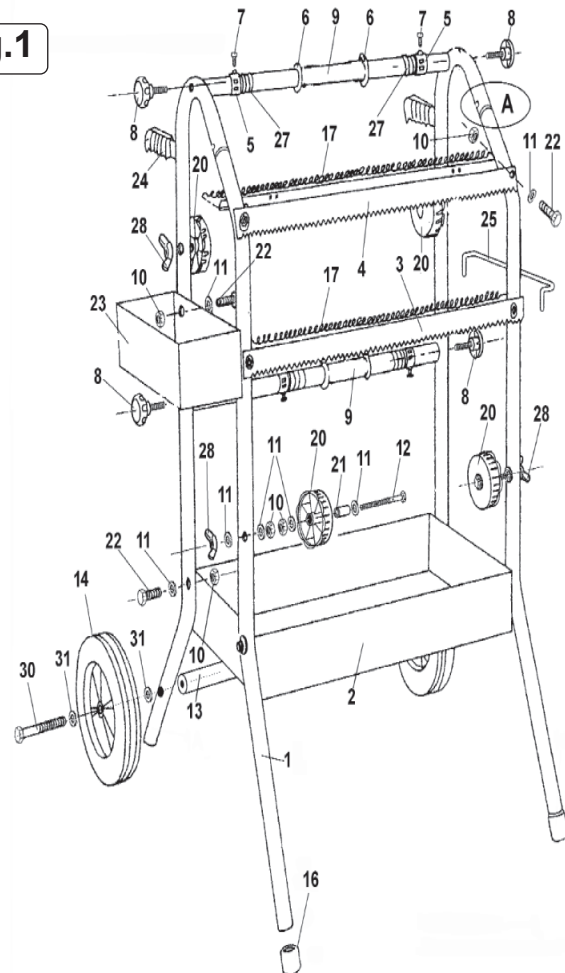
### 3. SPECIFICATION

Model no ..... MK67.V2  
Capacity ..... 2 x 900mm paper roll

### 4. ASSEMBLY

- 4.1. To assemble the side frames compress the silver latch button at the top of the front leg **1B** and insert the tube into the back leg tube **1A** until they snap together. (See A in fig.1).
- 4.2. Onto each end of the two paper bars **9** slide a large retaining washer **6** followed by a retaining spring **27** followed by a black plastic retaining ring **5**. Insert a screw **7** into the threaded block on each retaining ring.
- 4.3. Attach the side frames to each end of the paper bars as shown in Fig.1 using the four black knobs **8**.
- 4.4. Fit the bottom tray between the side frames and bolt it to each leg using a bolt **22**, a washer **11** and a nut **10**.
- 4.5. Attach the upper paper blade **4** to the front of the frame using two bolts **22**, two washers **11** and two nuts **10**. (The upper blade has a wider profile than the lower blade).
- 4.6. Attach the lower paper cutter **3** to the front of the frame using two bolts **22**, two washers **11** and two nuts **10**.
- 4.7. Attach a paper spring **17** to the back edge of each paper cutter. Hook one end of the spring to the notched back corner of the metalwork and stretch it across and hook it to the other back corner. Take care to avoid the paper cutter teeth when doing this.
- 4.8. To assemble the four tape reels as shown in fig.1 take a long bolt **12** and drop a washer **11** onto it followed by a black plastic hub **21**. Slide a reel **20** over the bolt and onto the hub ensuring that it is the right way round. Retain the assembly using another washer followed by a nut.
- 4.9. After the nut has been tightened the reel should still run freely on the hub. Attach another nut to the bolt and insert the bolt through the frame in one of the four places indicated in fig.1. Retain the assembly in place using a wing nut **28** and a washer **11**.
- 4.10. Attach the top tray **23** to the side of one of the frames using two bolts **22**, two washers **11** and two nuts **10**. The nuts and washers should be on the inside of the tray.
- 4.11. Attach the hanger **25** to the side of the opposite frame at the same level as the top tray. Insert the ends of the hanger into the holes in the side of the frame and tip the hanger forwards so that the first bend in either end of the hanger is inside each frame tube.
- 4.12. The dispenser has a tubular axle which allows an axle bolt to be screwed into either end and also fixes the axle to the frame.
- 4.13. Slide a washer **31** over a bolt **30** followed by a wheel **14** and another washer **31**. Position the tubular axle **13** between the two rear legs and pass the axle bolt through the rear leg and screw it into the thread in the end of the axle. Attach the other wheel in the same way. Tighten the axle bolts until the wheel is lightly gripped then back off slightly to allow the wheels to rotate.

fig.1



## 5. OPERATION

- 5.1. Remove either the upper or lower paper bar from the frame by unscrewing and removing the black knobs at either end.
- 5.2. Loosen the screw in one of the black plastic retaining rings and remove the ring, spring and washer from the end of the bar. Remove the cardboard tube centre of the last roll from the bar.
- 5.3. Slide the the paper bar through the centre of the new paper roll and refit the washer, spring and retainer to the end of the bar. Temporarily tighten the screw in the black retaining ring.
- 5.4. To refit the loaded bar to the frame get a second person or persons to support the paper roll while the black knobs are fitted at either end of the bar. The paper should be coming off the top of the roll. Once loaded, check that the roll is centrally placed on the paper bar and make any necessary adjustments using the black retaining rings.
- 5.5. Push a roll of masking tape onto each tape dispensing reel and spin it to make sure the tape is running true. Check that the tape dispensers are aligned with the ends of of the paper roll as shown in fig.3.  
(The centre line of the tape should align with the edges of the paper roll). The position of the tape dispensers can also be adjusted as shown in fig.2. To increase or decrease dimension 'X' loosen the wing nut 'Z' and roll nut 'Y' up or down the bolt as required. Re-tighten the wing nut.
- 5.6. Pull about 18" of paper from the roll and feed it between the paper spring and the back edge of the adjacent paper cutter.
- 5.7. Pull tape from each dispenser in turn and stick it to the paper roll so that it is half on and half off the paper edges. Check the alignment of the tapes and make any further adjustments required to the positions of the tape dispensers.
- 5.8. Slowly pull the paper from the roll and check that the tapes feed correctly onto the edges of the paper.
- 5.9. Tear the paper off with an upward movement against the down facing teeth of the paper blade. Keep hands well away from the blade when doing this.
- 5.10. Load the other paper bar as described above.

**NOTE:** A fully loaded frame is quite heavy. Take care when moving it and always leave it in a stable position.

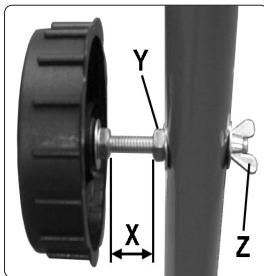


fig.2

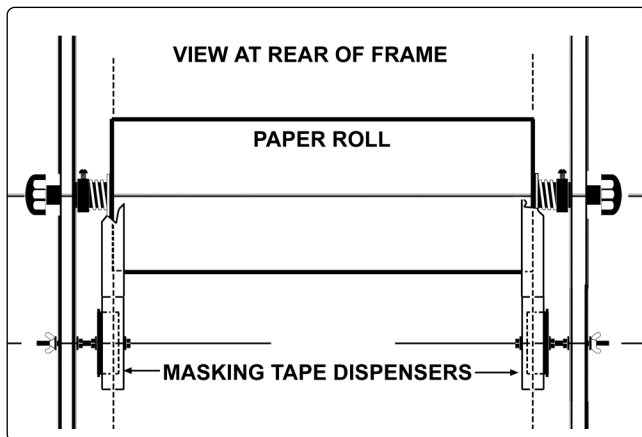


fig.3



fig.4



### ENVIRONMENT PROTECTION

Recycle unwanted materials instead of disposing of them as waste. All tools, accessories and packaging should be sorted, taken to a recycling centre and disposed of in a manner which is compatible with the environment. When the product becomes completely unserviceable and requires disposal, drain any fluids (if applicable) into approved containers and dispose of the product and fluids according to local regulations.

**Note:** It is our policy to continually improve products and as such we reserve the right to alter data, specifications and component parts without prior notice. Please note that other versions of this product are available. If you require documentation for alternative versions, please email or call our technical team on [technical@sealey.co.uk](mailto:technical@sealey.co.uk) or 01284 757505.

**Important:** No Liability is accepted for incorrect use of this product.

**Warranty:** Guarantee is 12 months from purchase date, proof of which is required for any claim.

Sealey Group, Kempson Way, Suffolk Business Park, Bury St Edmunds, Suffolk. IP32 7AR



01284 757500



01284 703534



[sales@sealey.co.uk](mailto:sales@sealey.co.uk)



[www.sealey.co.uk](http://www.sealey.co.uk)