



20L WET & DRY INDUSTRIAL VACUUM CLEANER 1250W STAINLESS DRUM

MODEL NO: **PC200SD.V3**

Thank you for purchasing a Sealey product. Manufactured to a high standard, this product will, if used according to these instructions, and properly maintained, give you years of trouble free performance.

IMPORTANT: PLEASE READ THESE INSTRUCTIONS CAREFULLY. NOTE THE SAFE OPERATIONAL REQUIREMENTS, WARNINGS & CAUTIONS. USE THE PRODUCT CORRECTLY AND WITH CARE FOR THE PURPOSE FOR WHICH IT IS INTENDED. FAILURE TO DO SO MAY CAUSE DAMAGE AND/OR PERSONAL INJURY AND WILL INVALIDATE THE WARRANTY. KEEP THESE INSTRUCTIONS SAFE FOR FUTURE USE.



Read before first use



Wear protective clothing



Wear protective gloves



Wear eye protection

1. SAFETY


1.1 ELECTRICAL SAFETY

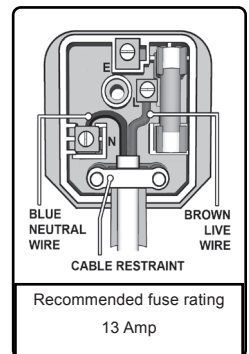
- ❑ **WARNING!** It is the user's responsibility to check the following:

Check all electrical equipment and appliances to ensure that they are safe before using. Inspect power supply leads, plugs and all electrical connections for wear and damage. Sealey recommend that an RCD (Residual Current Device) is used with all electrical products. You may obtain an RCD by contacting your local Sealey stockist.

If the lamp is used in the course of business duties, it must be maintained in a safe condition and routinely PAT (Portable Appliance Test) tested.

Electrical safety information, it is important that the following information is read and understood.

- 1.0.1. Ensure that the insulation on all cables and on the appliance is safe before connecting it to the power supply.
- 1.0.2. Regularly inspect power supply cables and plugs for wear or damage and check all connections to ensure that they are secure.
- 1.0.3. **Important:** Ensure that the voltage rating on the appliance suits the power supply to be used and that the plug is fitted with the correct fuse - see fuse rating in these instructions.
 - * **DO NOT** pull or carry the appliance by the power cable.
 - * **DO NOT** pull the plug from the socket by the cable. Remove the plug from the socket by maintaining a firm grip on the plug.
 - * **DO NOT** use worn or damaged cables, plugs or connectors. Ensure that any faulty item is repaired or replaced immediately by a qualified electrician.
- 1.0.4. This product is fitted with a BS1363/A 13 Amp 3 pin plug.
 - If the cable or plug is damaged during use, switch the electricity supply and remove from use. Replace a damaged plug with a BS1363/A 13 Amp 3 pin plug. If in doubt contact a qualified electrician.
 - Class II products are wired with live (brown) and neutral (blue) only are marked with the Class II symbol;
 - A) Connect the BROWN live wire to the live terminal 'L'.
 - B) Connect the BLUE neutral wire to the neutral terminal 'N'.
 - C) After wiring, check that there are no bare wires and ensure that all wires have been correctly connected.
- Ensure that the cable outer sheath extends inside the cable restraint and that the restraint is tight.
 - * **DO NOT** connect either wire to the earth terminal.



1.2 GENERAL SAFETY

- ✓ Disconnect the cleaner from the power supply before servicing, changing accessories, or performing any maintenance.
- ✓ Use only genuine parts and accessories. Unauthorised parts and accessories may be dangerous and will invalidate your warranty.
- ✓ Maintain the cleaner in good condition. Use an authorised agent for servicing. Keep machine clean, but **DO NOT** use solvents.
- ✓ For dry vacuuming ensure the cartridge filter is locked in place before operating the cleaner.
- * **DO NOT** operate the unit without the locking cartridge filter in place (except when wet vacuuming). **Using the cleaner without a cartridge filter will cause machine faults and will invalidate your warranty.**
- ✓ Wear protective clothing and gloves.
- * **DO NOT** allow children or untrained persons to operate the cleaner.
- * **DO NOT** place attachments close to your face (especially eyes, ears, etc).
- * **DO NOT** point the hose end at other persons or animals.
- ❑ **DANGER! DO NOT** vacuum hot or glowing ash, cigarette ends, inflammable, explosive, corrosive or other dangerous substances.
- * **DO NOT** operate the unit without the dust bag or optional cartridge filter (except when wet vacuuming).
- * **DO NOT** leave machine running unattended. Turn power supply OFF. **DO NOT** leave the vicinity until motor has come to a complete stop.
- * **DO NOT** operate the cleaner while under the influence of drugs, alcohol or impairing medication, or if you are tired.
- * **DO NOT** use the cleaner in the rain or in very damp conditions.
- * **DO NOT** use the cleaner for a task it is not designed to perform.
- ✓ When not in use, store the cleaner in a safe, dry, childproof location.

2. INTRODUCTION

High powered, lightweight industrial unit with blower facility. Constructed from stainless steel, the drum unit is mounted on two castor and two fixed wheels. Tool storage points on head and base. Supplied with 4.5m cable with 3-pin plug, deluxe tool kit, including stainless steel telescopic rigid extension tube, cartridge filter and wet-use foam filter.

3. CONTENTS

3.1. CARTON CONTENT

- 3.1.1. Carefully unpack the carton.
- 3.1.2. Locate the two side clasps (fig.1.6) which hold the top section (fig.1.3) in place.
- 3.1.3. Undo the clasps, remove the power head and take out the items in the container.
- 3.1.4. Check and identify each component as listed below. If anything is missing or damaged please contact your supplier immediately.

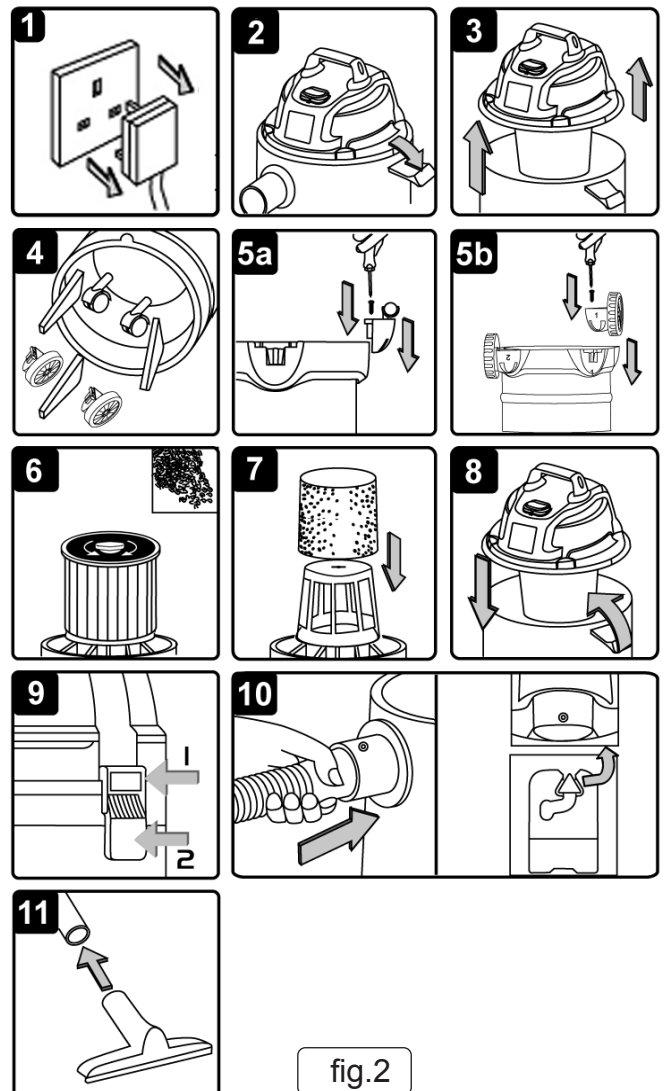
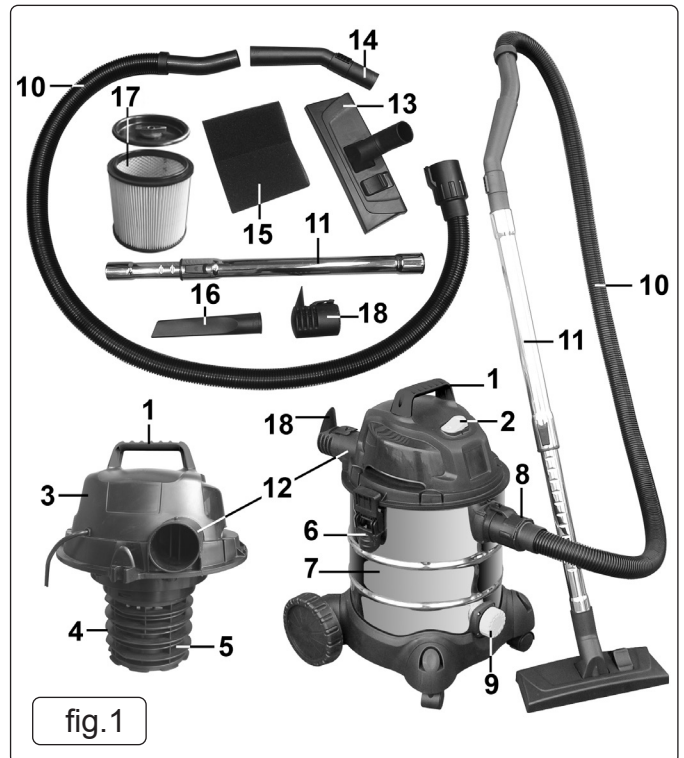
Item	Description	Item	Description
1	Handle	11	Telescopic suction tube
2	ON/OFF switch	12	Blow connection
3	Top section	13	Combination brush
4	Filter basket	14	Elbow tool (Air regulator handle)
5	Safety float valve	15	Foam filter
6	Clasp	16	Crevice tool
7	Stainless Steel drum	17	Locking Cartridge filter (fitted as standard)
8	Vacuum hose connection	18	Noise muffler
9	Drain Cap		
10	Flexible vacuum hose		

4. SPECIFICATION

MODEL NO:.....PC200SD.V3
Airflow:120 m³/hr
Drum Size: 20 L
Filter Type: Cartridge
Maximum Vacuum Pressure:.....140 mbar
Motor Power:.....1250 W
Supply:..... 230 V
Vacuum Accessories Diameter:..... Ø35 mm
Optional Accessories:
 PC200PB5 Optional Dust Bags (Pack of 5)
Replacement Parts:
 PC200CFL Cartridge Filter
 PC200FF10 Foam Filters (Pack of 10)

5. ASSEMBLY

- 5.1. Ensure the mains plug is disconnected. (fig.2.1)
- 5.2. Undo clasps. (fig.2.2)
- 5.3. Lift off the power head assembly. (fig.2.3)
- 5.4. Remove contents from inside the container. (fig.2.4)
- 5.5. Turn the drum upside down and insert the castor assembly mouldings into the slots in the base either side of the blue drain cap. Ensure they are pushed all the way in and fix them with the self tapping screws provided. (fig.2.5a) **DO NOT** overtighten.
- 5.6. The wheel assembly mouldings are marked 1 and 2. Insert the wheel assembly mouldings into the two remaining slots in the base ensuring that the number on each moulding matches the number to be found on the base. Ensure they are pushed all the way in and fix them with the self tapping screws provided (fig.2.5b) **DO NOT** overtighten.
- 5.7. For dry vacuum cleaning use the locking cartridge filter supplied and with the raised rim uppermost fit the cartridge filter tube down over the filter basket and push fully home. Place the locking disc onto the top of the filter and turn the locking bar until the latch drops into the slot in the top of the filter basket. Continue turning until the filter is fully locked down. (fig.2.6)
- 5.8. For wet vacuum cleaning fit the supplied foam filter. (fig.2.7) **NOTE: DO NOT** operate the cleaner without a cartridge filter fitted as this will damage the machine and invalidate your warranty.
- 5.9. Replace the power head assembly onto the drum ensuring



that the blue on/off switch is above the vacuum hose connector. (fig.2.8)

- 5.10. Align the ridges on the rim of the power head with the two side clasps. Place the upper part of each clasp over the ridges and snap the clasps into place by pressing on the lower part of each clasp in turn. (fig.2.9)
- 5.11. Align the arrow symbol on the large end of the vacuum hose with the pin on the front inlet of the drum. Push the fitting into the inlet and lock in place by turning the fitting clockwise. (fig.2.10)
- 5.12. Choose the desired nozzle and push it onto the telescopic suction tube. (fig.2.11)

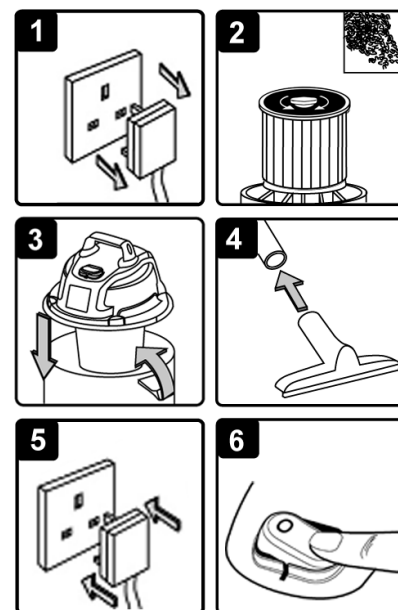


fig.3

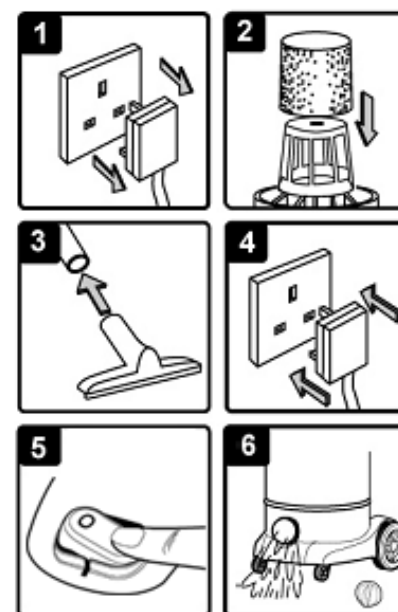


fig.4



fig.5

6. DRY VACUUM CLEANING

- ❑ **WARNING!** Ensure you read, understand and apply Section 1 'Safety Instructions'. **Reminder: DO NOT vacuum hazardous substances. Use of an incorrect cartridge filter will invalidate your warranty.**
- 6.1. Ensure the machine is unplugged from the power supply. (fig.3.1)
- 6.2. Remove the power head and fit the locking cartridge filter down over the filter basket as described in section 5.7.
- 6.3. Reposition power head onto the drum body,clip in place. (fig.3.3)
- 6.4. Insert the larger end of the flexible hose into the front inlet on the container and lock in place. Push the required attachment onto the free end of the hose (fig.3.4). Plug in power supply. fig.3.5)
- 6.5. Switch to the 'On' (position 'I'). (fig.3.6)
- 6.6. Switch to the 'Off' position ('O') when finished.

7. WET VACUUM CLEANING

- ❑ **WARNING!** Ensure you read, understand and apply Section 1 'Safety Instructions'. **Reminder: Remove plug from power supply before opening unit. DO NOT vacuum solvents, explosives, inflammable and/or hazardous liquids such as petrol, oil, spirits, paint, thinners, acids etc.**
- 7.1. Ensure the machine is unplugged from the power supply. (fig.4.1) Make sure the tank is clean and free from dust and dirt.
- 7.2. Remove the cartridge filter and fit a foam filter over the filter basket. (fig.4.2) Refit the power head onto the drum.
- 7.3. To the same flexible hose used in dry cleaning fit the desired nozzle (fig.4.3)
- 7.4. Ensure the switch is 'Off' (position 'O') before plugging into the power supply.
- 7.5. Press the switch to 'On' (position 'I'). (fig.4.5)
- NOTE:** To vacuum large quantities of liquid, from a sink or tank etc, **DO NOT** immerse the nozzle completely in the liquid, leave a gap at the top of the nozzle opening to allow an air inflow. The machine is fitted with a float valve which stops the suction action when the tank has reached its maximum capacity. The user will notice an increase in motor speed. When this happens, turn off the machine, disconnect from power supply, remove the power head from the container and empty the liquid into a suitable receptacle or drain (fig4.6). To continue vacuuming, refit the power head and proceed. After wet vacuuming, turn the machine off and unplug from power supply. Empty the container and clean and dry the inside and outside before storage.
- 7.6. Remember! After wet vacuuming the foam filter must be removed and a cartridge filter must be fitted before dry vacuuming again.
- ❑ **WARNING! Not designed for liquid storage. Always empty liquids after use and before storing.**

8. BLOWING

- 8.1. Push the large end of the flexible hose into the blow connection in the top section. (fig.5.1)
- 8.2. Ensure the power switch is turned off (fig.5.2) and plug in the power supply. (fig.5.3)
- 8.3. Switch on the power (position 'I'). (fig.5.4)
- 8.4. The unit will now blow through the hose and can be used to clear obstructions within the pipe. (fig.5.5)
- ❑ **WARNING!** If after a few seconds the hose is still blocked turn of the unit and clear the hose manually.

9. MAINTENANCE

- 9.1. **GENERAL MAINTENANCE.**
- 9.1.1. Ensure the machine is unplugged from the power supply.
- 9.1.2. Disconnect the hose from the container.
- 9.1.3. Undo the clasps and remove power head from the container.
- 9.1.4. Clear out any dirt or debris from the container and hose.
- 9.1.5. Clean the foam filter by washing it in a mild soapy solution.
- 9.1.6. Check that the telescopic suction tube operates smoothly and check the power cable to make sure has not received any damage.

9.2. CARTRIDGE FILTER MAINTENANCE.

- 9.2.1. Unlock and carefully remove the cartridge filter (fig.6.1) and inspect it for damage. A filter that has small holes or tears in it will not perform efficiently and should be replaced.
- 9.2.2. To clean a dry filter, tap it inside a waste bin. (fig.6.2)
- * **DO NOT** use the filter if it becomes wet as the filter will clog quickly and be very difficult to clean. (The cartridge filter designed for dry vacuuming only). Should the filter be inadvertently wetted it should be rinsed from the inside (fig.6.2) and allowed to air dry for 24 hours.
- 9.2.3. Fit the new/cleaned filter onto the filter basket (fig.6.3) as described in section 5.7 and lock it in place (fig.6.4)

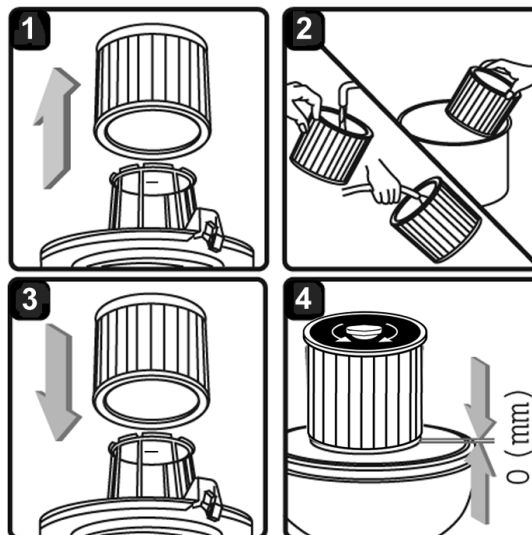


fig.6

IMPORTANT! IF THE MACHINE IS USED WITHOUT A CARTRIDGE FILTER FITTED, THE MOTOR WILL BURN OUT EVENTUALLY AND YOUR GUARANTEE WILL BE INVALIDATED. ALWAYS KEEP A SPARE CARTRIDGE FILTER HANDY.

10. TROUBLESHOOTING

PROBLEM	CAUSE	SOLUTION
1) Cleaner will not operate	1a) No power supply	Check supply
	1b) Faulty power cable, switch or motor	Check and repair or replace faulty item
	1c) Container full of liquid	Empty container
2) Dust comes from the motor cover	2) Cartridge filter missing or damaged	Fit or replace cartridge filter
3) Reduced efficiency and increased motor speed/vibration.	3a) Dust container full.	Empty container
	3b) Filter clogged.	Clean or replace cartridge filter
	3c) Nozzle, hose or container inlet blocked	Check nozzle, hose & container inlet for blockage



ENVIRONMENT PROTECTION

Recycle unwanted materials instead of disposing of them as waste. All tools, accessories and packaging should be sorted, taken to a recycling centre and disposed of in a manner which is compatible with the environment. When the product becomes completely unserviceable and requires disposal, drain any fluids (if applicable) into approved containers and dispose of the product and fluids according to local regulations.



WEEE REGULATIONS

Dispose of this product at the end of its working life in compliance with the EU Directive on Waste Electrical and Electronic Equipment (WEEE). When the product is no longer required, it must be disposed of in an environmentally protective way. Contact your local solid waste authority for recycling information.

Note: It is our policy to continually improve products and as such we reserve the right to alter data, specifications and component parts without prior notice. Please note that other versions of this product are available. If you require documentation for alternative versions, please email or call our technical team on technical@sealey.co.uk or 01284 757505.

Important: No Liability is accepted for incorrect use of this product.

Warranty: Guarantee is 12 months from purchase date, proof of which is required for any claim.

Sealey Group, Kempson Way, Suffolk Business Park, Bury St Edmunds, Suffolk. IP32 7AR



01284 757500



01284 703534



sales@sealey.co.uk



www.sealey.co.uk