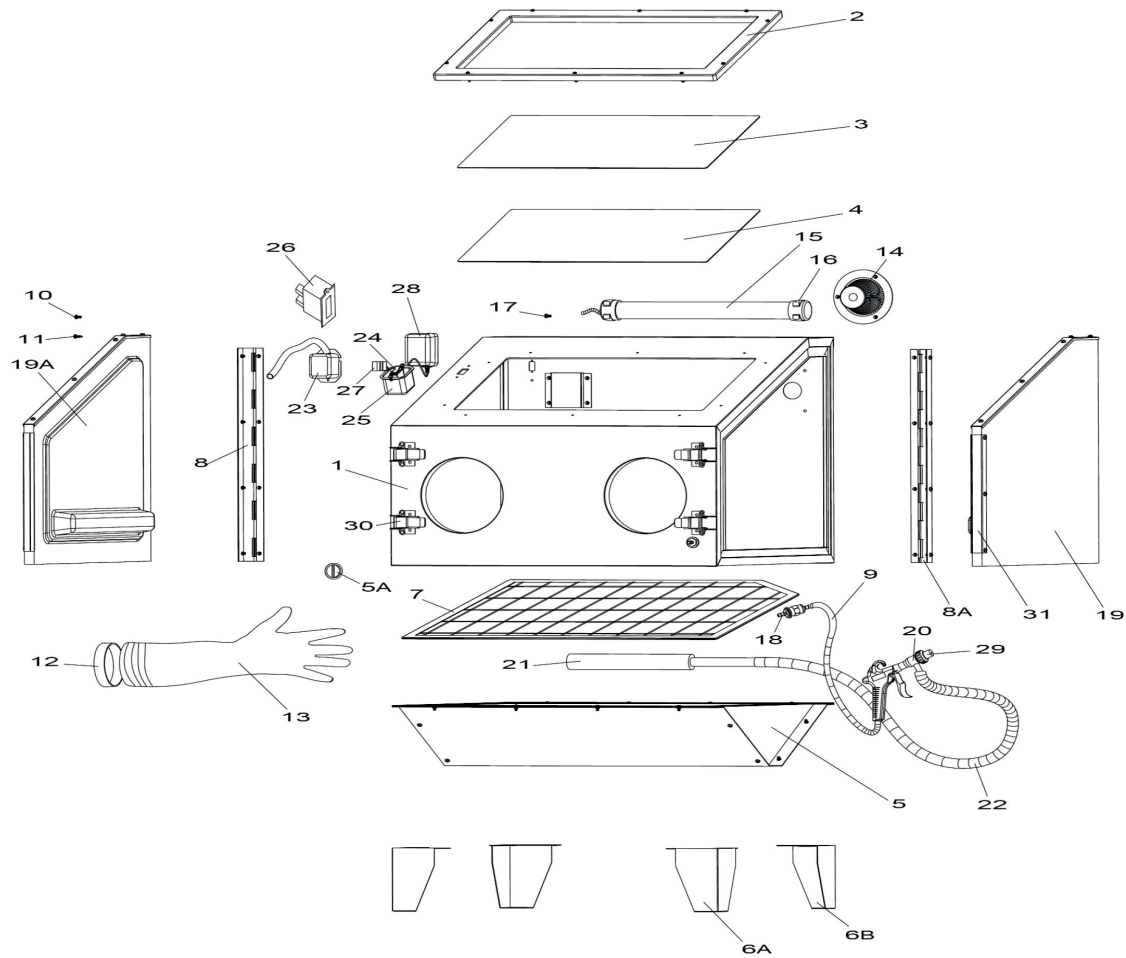


Parts Information:  
**Shot Blasting Cabinet Double Access**  
 695 x 580 x 625mm  
**Model No: SB970.V4**



Item	Part No.	Description
1	SB970.V3-01	Cabinet
2	SB970.V3-02	Frame
3	SB970.V3-03	Organic glass
4	SB970.V3-04	Protective film
5	SB970.V3-05	Base
5A	SB970.V3-05A	Plug
6A	SB970.V3-06A	Right front/left rear leg
6B	SB970.V3-06B	Left front/right rear leg
7	SB970.V3-07	Mesh
8	SB970.V3-08	Hinge
9	SB970.V3-09	Air inlet tube
10	SB970.V3-10	Screw
11	SB970.V3-11	Rd head s/t screw m4.8 x 16
12	SB970.V3-12	Clamp
13	SB970.V3-13	Gloves (pair)
14	SB970.V3-14	Filter
15	SB970.V3-15	Lamp

Item	Part No.	Description
16	SB974.V3-17	Clamp
17	SB970.V3-17	Screw
18	SB970.V3-18	Connector
19	SB970.V3-19	Right door
19A	SB970.V3-19A	Left door
20	SB974.V3-23	Sanding gun
21	SB970.V3-21	Input pipe
22	SB970.V3-22	Input hose
23	SB970.V3-25	Socket housing 'b'
24	SB970.V3-24	Switch
25	SB970.V3-25	Socket housing 'b'
26	SB974.V3-20	Socket
27	SB974.V3-32	Plug
28	SB974.V3-31	Transformer (3-pin)
29	SB974.V3-23-1	Sanding gun nozzle (pk of 4)
30	SB974.V3-21	Lock
31	SB970.V3-31	Door plate

**NOTE:** It is our policy to continually improve products and as such we reserve the right to alter data, specifications and component parts without prior notice.

**IMPORTANT:** No liability is accepted for incorrect use of product.

**WARRANTY:** Guarantee is 12 months from purchase date, proof of which will be required for any claim.