



AIR OPERATED UNDER BODY COATING GUN

MODEL NO: **SG139.V2**

Thank you for purchasing a Sealey product. Manufactured to a high standard, this product will, if used according to these instructions, and properly maintained, give you years of trouble free performance.

IMPORTANT: PLEASE READ THESE INSTRUCTIONS CAREFULLY. NOTE THE SAFE OPERATIONAL REQUIREMENTS, WARNINGS & CAUTIONS. USE THE PRODUCT CORRECTLY AND WITH CARE FOR THE PURPOSE FOR WHICH IT IS INTENDED. FAILURE TO DO SO MAY CAUSE DAMAGE AND/OR PERSONAL INJURY AND WILL INVALIDATE THE WARRANTY. KEEP THESE INSTRUCTIONS SAFE FOR FUTURE USE.



Refer to instruction manual



Wear eye protection



Wear protective gloves



Wear a mask



Wear protective clothing

1. SAFETY

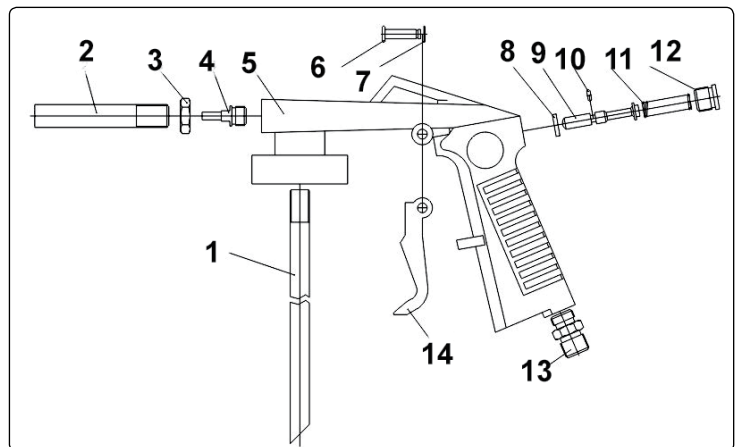
- ✓ Familiarise yourself with the application, limitations and potential hazards peculiar to the coating gun.
- ❑ **WARNING!** Disconnect the gun from the air supply before changing accessories, servicing or performing any maintenance.
- ✓ Maintain the gun in good condition (use an authorised service agent).
- ✓ Replace or repair damaged parts. *Use recommended parts only. Unauthorised parts may be dangerous and will invalidate the warranty.*
- ✓ Keep the gun clean for best and safest performance.
- ✓ Ensure that the compressed air system can supply the gun air consumption (10cfm).
- ✓ Wear approved safety respiratory protection and safety eye goggles.
- ✓ Remove ill-fitting clothing. Remove ties, watches, rings and other loose jewellery and tie back long hair.
- ✓ Locate the gun in a suitable work area. Keep area clean and tidy and free from unrelated materials and ensure that there is adequate ventilation and lighting.
- ✓ Keep children and unauthorised persons away from the work area.
- ✓ When not in use, ensure that the air supply is turned off.
- ✓ Avoid unintentional operation of the gun.
- ✗ **DO NOT** point the gun at yourself, other persons or animals.
- ✗ **DO NOT** direct air from the air hose at yourself, other persons or animals.
- ✗ **DO NOT** carry the gun by the hose, or yank the hose from the air supply.
- ✗ **DO NOT** use the gun for any purpose other than that for which it is designed.
- ✗ **DO NOT** allow untrained persons to operate the gun.
- ✗ **DO NOT** get the gun wet or use in damp or wet locations or in areas where there is condensation.
- ✗ **DO NOT** operate the gun if any parts are missing or damaged as this may cause failure and/or personal injury.
- ✓ When not in use, disconnect the gun from the air supply, clean thoroughly and store safely.

2. INTRODUCTION

Accepts most types of 1ltr coating tins.

3. SPECIFICATION

Model no:SG139.V2
 Recommended air pressure: 90psi
 Air consumption: 10cfm
 Air inlet size: 1/4" BSP

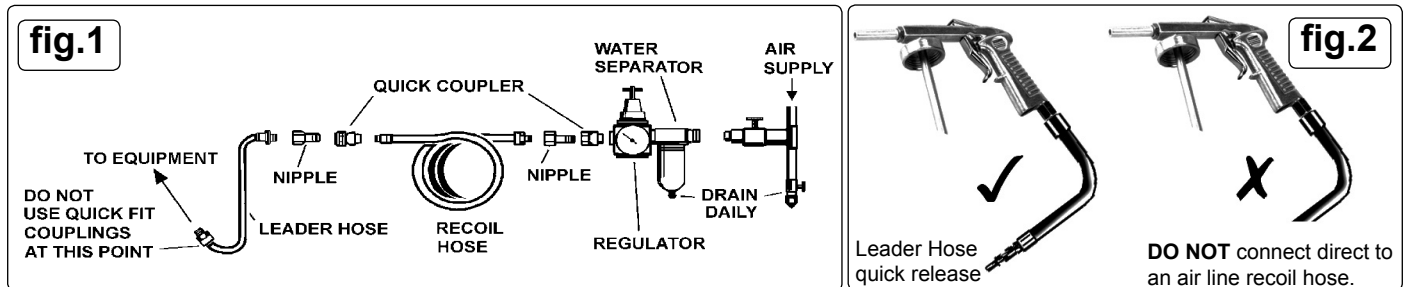


4. PARTS LIST

Item	Part No.	Description	Item	Part No.	Description
1	SG139.V2-01	Suction Tube	8	SG139.V2-08	Packing
2	SG139.V2-02	Nozzle	9	SG139.V2-09	Valve Spindle
3	SG139.V2-03	Screw Cap	10	SG139.V2-10	O-Ring
4	SG139.V2-04	Nozzle	11	SG139.V2-11	Air Valve Spring
5	SG139.V2-05	Gun Body	12	SG139.V2-12	Packing Screw
6	SG139.V2-06	Trigger Stud	13	SG139.V2-13	Air Screw
7	SG139.V2-07	Stop Ring	14	SG139.V2-14	Trigger

5. AIR SUPPLY

- 5.1. **Air Supply**
(Recommended hook-up procedure is shown in fig.1).
- 5.2. Ensure the gun air valve (trigger) is in the off position before connecting to the air supply.
- WARNING!** Ensure the air supply is clean and does not exceed 90psi while operating the spray gun. Too high an air pressure will shorten the product life and may be dangerous causing damage or personal injury.
- 5.3. Drain the air supply tank daily. Water in the air line will ruin the paint finish and damage the spray gun.
- 5.4. Clean air inlet filter weekly.
- 5.5. Line pressure should be increased to compensate for unusually long air hoses (over 8 metres). The minimum hose diameter should be 1/4" I.D. and fittings must have the same inside dimensions.
- 5.6. Keep hose away from heat, oil and sharp edges. Check hose for wear, and make certain that all connections are secure.
- 5.7. **Couplings**
- 5.7.1. Vibration may cause failure if a quick change coupling is connected directly to the spray gun. To overcome this, connect a leader hose to the spray gun. A quick change coupling may then be used to connect the leader hose to the air line recoil hose. See fig.1 & 2.



6. OPERATION

- WARNING!** Ensure you read, understand and apply the safety instructions in section 1 and follow the manufacturer's instructions on the under body coating container.
- 6.1. Screw on the canister of under body coating.
- 6.2. Ensure the air supply is regulated to no more than 6bar (90psi) than attach the leader hose to the gun.
- 6.3. Test for correct operation in a safe area first.

7. MAINTENANCE

- WARNING! Ensure the gun is disconnected from the air supply before attempting any internal maintenance.**
- 7.1. After use, remove the partially used or spent canister and reseal if required.
- 7.2. Purge the gun into a safe area and then isolate the mains air before removing the leader hose.
- 7.3. Clean all components of the gun thoroughly with paraffin, especially items (1,2,4 and 5) and allow to dry before storage.



ENVIRONMENT PROTECTION

Recycle unwanted materials instead of disposing of them as waste. All tools, accessories and packaging should be sorted, taken to a recycling centre and disposed of in a manner which is compatible with the environment. When the product becomes completely unserviceable and requires disposal, drain any fluids (if applicable) into approved containers and dispose of the product and fluids according to local regulations.

Note: It is our policy to continually improve products and as such we reserve the right to alter data, specifications and component parts without prior notice.

Important: No Liability is accepted for incorrect use of this product.

Warranty: Guarantee is 12 months from purchase date, proof of which is required for any claim.

Sealey Group, Kempson Way, Suffolk Business Park, Bury St Edmunds, Suffolk. IP32 7AR



01284 757500



01284 703534



sales@sealey.co.uk



www.sealey.co.uk