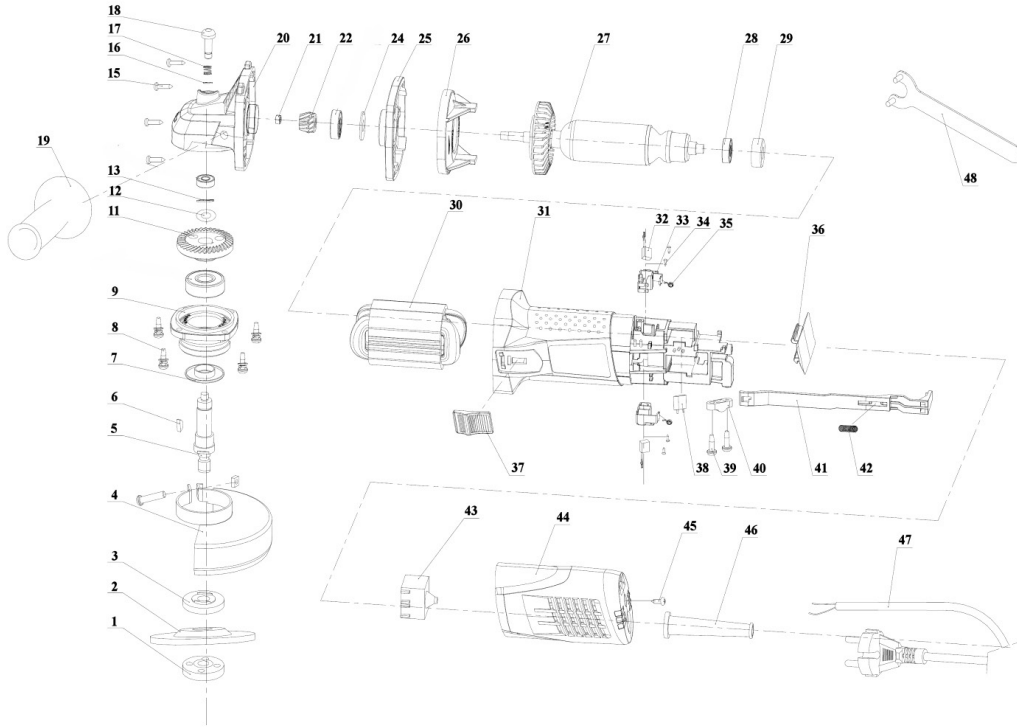




Parts Information:  
**Angle Grinder Ø115mm 750W/230V Slim  
 Body**  
**Model No: SGS115**



Item	Part No.	Description
1	SGS115.01	FLANGE NUT
2	PTC/115C	CUTTING DISC 115 x 3mm 22mm BORE
3	SGS115.03	FLANGE
4	SGS115.04	WHEEL GUARD
5	SGS115.05	SPINDLE
6	SGS115.06	WOODRUFF KEY
7	SGS115.07	DUST COVER
8	SGS115.08	SCREW
9	SGS115.09	FRONT COVER
11	SGS115.11	GEAR
12	SGS115.12	WAVE WASHER
13	SGS115.13	SPRING WASHER
15	SGS115.15	SCREW
16	SGS115.16	WASHER
17	SGS115.17	SPRING
18	SGS115.18	SPINDLE LOCK
19	SGS115.19	SIDE HANDLE
20	SGS115.20	GEAR CASE
21	SGS115.21	SCREW
22	SGS115.22	PINION
24	SGS115.24	WASHER
25	SGS115.25	MIDDLE COVER
26	SGS115.26	BAFFLE

Item	Part No.	Description
27	SGS115.27	ROTOR
28	SGS115.28	BEARING 607
29	SGS115.29	BEARING COVER
30	SGS115.30	STATOR
31	SGS115.31	HOUSING
32	SGS115.32	CARBON BRUSH
33	SGS115.33	BRUSH HOLDER
34	SGS115.34	SCREW
35	SGS115.35	SPRING
36	SGS115.36	SPEED CONTROL COVER
37	SGS115.37	SWITCH BUTTON
38	SGS115.38	CAPACITANCE
39	SGS115.39	SCREW
40	SGS115.40	CORD CLAMP
41	SGS115.41	PUSH BAR
42	SGS115.42	SPRING
43	SGS115.43	SWITCH
44	SGS115.44	REAR HANDLE
45	SGS115.45	SCREW
46	SGS115.46	CORD SLEEVE
47	SGS115.47	CABLE
48	SGS115.48	WRENCH

**NOTE:** It is our policy to continually improve products and as such we reserve the right to alter data, specifications and component parts without prior notice.

**IMPORTANT:** No liability is accepted for incorrect use of product.

**WARRANTY:** Guarantee is 12 months from purchase date, proof of which will be required for any claim.

Sealey Group, Kempson Way, Suffolk Business Park, Bury St Edmunds, Suffolk. IP32 7AR



01284 757500



01284 703534



sales@sealey.co.uk



www.sealey.co.uk