



INSTRUCTIONS FOR

COMBUSTION LEAK DETECTOR

MODEL NO: **VS0062**

Thank you for purchasing a Sealey product. Manufactured to a high standard, this product will, if used according to these instructions, and properly maintained, give you years of trouble free performance.

IMPORTANT: PLEASE READ THESE INSTRUCTIONS CAREFULLY. NOTE THE SAFE OPERATIONAL REQUIREMENTS, WARNINGS & CAUTIONS. USE THE PRODUCT CORRECTLY AND WITH CARE FOR THE PURPOSE FOR WHICH IT IS INTENDED. FAILURE TO DO SO MAY CAUSE DAMAGE AND/OR PERSONAL INJURY AND WILL INVALIDATE THE WARRANTY. KEEP THESE INSTRUCTIONS SAFE FOR FUTURE USE.



Refer to
Instruction
Manual



Wear eye
Protection



Wear
Protective
Clothing



Wear
Protective
Gloves

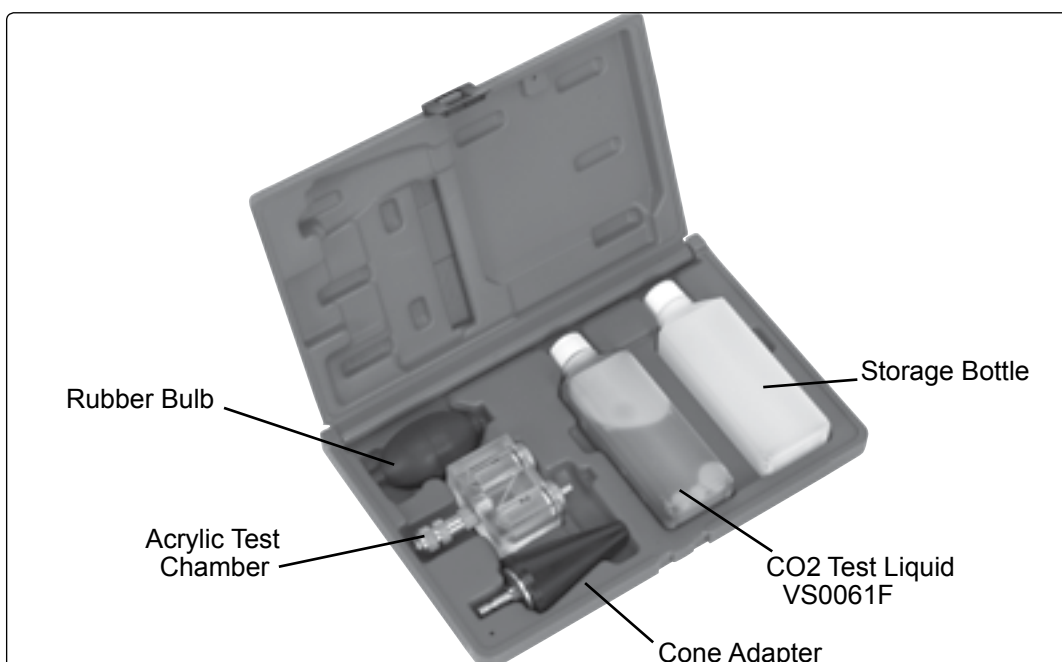
1. SAFETY

- ❑ **WARNING!** Ensure that Health & Safety, Local Authority Regulations and general workshop practice Regulations are adhered to when using tools.
- ✗ **DO NOT** use Leak Detector if damaged.
- ✓ Maintain Leak Detector to ensure that it is in an adequate condition for safe use and optimum performance.
- ✗ **DO NOT** attempt to start or move a vehicle whilst in gear.
- ✓ Wear suitable clothing to avoid snagging.
- ✗ **DO NOT** wear jewellery. Tie back long hair.
- ✓ Account for all tools, parts and components being used.
- ✗ **DO NOT** leave tools in or near the engine. Return tools to suitable storage after use.
- ✓ When not in use, store in a safe dry and childproof place.

2. INTRODUCTION

Diagnose blown gaskets, cracked blocks and cylinder heads easily and quickly. Checks levels of CO² in cooling system and indicates its presence by test fluid colour change. Use with cone adaptor or in conjunction with radiator caps from Model No's VS001, VS0011, VS0033 and VS006. For Test Fluid Refill order Model No. VS0061F.

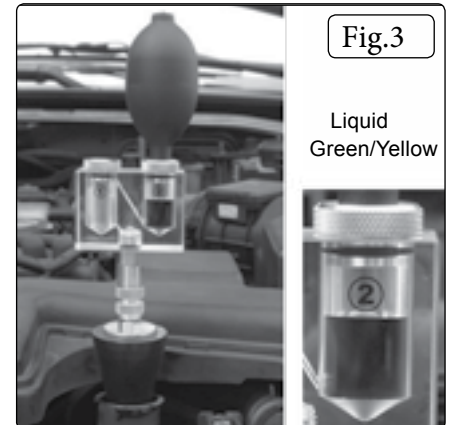
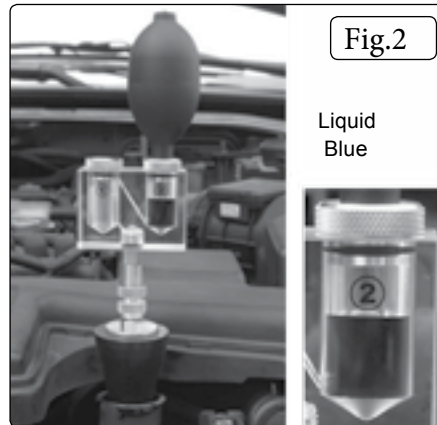
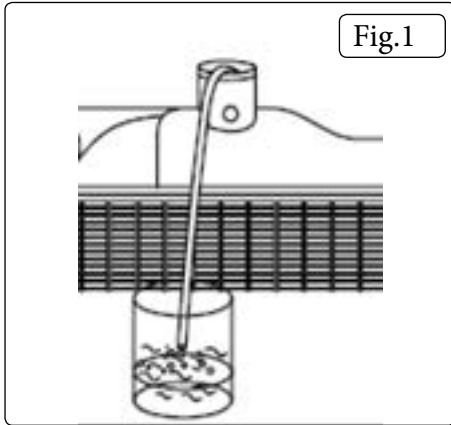
3. CONTENTS



4. OPERATION

4.1. To Carry out test

- 4.1.1. Prepare a container and remove approximately 1/10 of the volume of coolant. (Fig.1).
- 4.1.2. Open the radiator cap (make sure the radiator is cool before opening).
- 4.1.3. Remove cap to chamber 2, half fill with blue CO₂ test liquid and replace cap.
- 4.1.4. Install the rubber bulb, acrylic chamber and rubber cone adapter one after another.
- 4.1.5. Install tester device onto radiator's filler neck. (Fig.2)
- 4.1.6. Start engine and pump the rubber bulb continually to draw the steam from radiator and check if test liquid colour changes. (Fig.3)
- 4.1.7. After testing, stop engine and remove cone adapter from radiator's filler neck carefully. Refill radiator and replace cap.
- 4.1.8. Pour the used test liquid into storage bottles and store each component in the carry case. Test liquid can be used 3 to 5 times.



4.2. To Read Colour

- 4.2.1. Test liquid remains Blue (no CO₂ detected)-----Cylinder head/gasket in good condition.
- 4.2.2. Test Liquid turns Green (CO₂ detected) -----Cylinder head/gasket leaking.
- 4.2.3. Test Liquid turns Yellow (Large amounts CO₂ detected)---Cylinder head/gasket leaking.
- 4.2.4. **Note:-** The lighting in some work areas may affect the colour of the test liquid.

5. MAINTENANCE

- 5.1. Keep parts of leak detector clean and stored in the case provided. Ensure test kit is kept in a secure, dry storage area and out of the reach of children.

Parts support is available for this product. To obtain a parts listing and/or diagram, please log on to www.sealey.co.uk, email sales@sealey.co.uk or telephone 01284 757500.



Environmental Protection

Recycle unwanted materials instead of disposing of them as waste. All tools, accessories and packaging should be sorted, taken to a recycling centre and disposed of in a manner which is compatible with the environment.

NOTE: It is our policy to continually improve products and as such we reserve the right to alter data, specifications and component parts without prior notice.

IMPORTANT: No liability is accepted for incorrect use of this product.

WARRANTY: Guarantee is 12 months from purchase date, proof of which will be required for any claim.



Sole UK Distributor, Sealey Group.
Kempson Way, Suffolk Business Park,
Bury St. Edmunds, Suffolk.
IP32 7AR



01284 757500



01284 703534



www.sealey.co.uk



sales@sealey.co.uk