



INSTRUCTIONS FOR:

20W COB LED RECHARGEABLE FLOODLIGHT LITHIUM-ION CRI95

MODEL No: **LED057**

Thank you for purchasing a Sealey product. Manufactured to a high standard, this product will, if used according to these instructions and maintained properly, give you years of trouble free performance.

IMPORTANT: PLEASE READ THESE INSTRUCTIONS CAREFULLY. NOTE THE SAFE OPERATIONAL REQUIREMENTS, WARNINGS & CAUTIONS. USE THE PRODUCT CORRECTLY AND WITH CARE FOR THE PURPOSE FOR WHICH IT IS INTENDED. FAILURE TO DO SO MAY CAUSE DAMAGE AND/OR PERSONAL INJURY AND WILL INVALIDATE THE WARRANTY. KEEP THESE INSTRUCTIONS SAFE FOR FUTURE USE.



Refer to
Instruction Manual

1. SAFETY

1.1. GENERAL

- ✓ Ensure the floodlight is correctly charged before initial use.
- ✗ **DO NOT** cover or block the lens during use.
- ✗ **DO NOT** turn the floodlight on when it is being re-charged.
- ✗ **DO NOT** shine directly into your, other person's or animal's eyes.
- ✗ **DO NOT** allow children to use the floodlight.
- ✗ **DO NOT** use the floodlight if you suspect that the battery or the spotlight casing is damaged.
- ✗ **DO NOT** immerse the floodlight in water.
- ✓ Be aware that the lamp housing will get hot during use.
- ✓ Ensure replacement batteries are genuine Sealey batteries of the same rating.
- ✓ Ensure the floodlight is unplugged and allowed to cool before attempting any cleaning or replacement.
- ✓ When not in use store the floodlight in a safe, dry, childproof location.

1.2. BATTERY SAFETY

- ☐ **WARNING! To reduce the risk of burns or fire:**
- ✗ **DO NOT** attempt to open, disassemble, modify or service the battery.
- ✓ Ensure the charger is switched off and disconnected from the floodlight before attempting to open the lamp unit.
- ✗ **DO NOT** expose to temperatures above 60°C (140°F).
- ✗ **DO NOT** crush, puncture, short external contacts or dispose of in fire or water.
- ✓ Replace only with the battery designated for this product.
- ✓ Dispose of the old batteries in accordance with local authority battery regulations. **DO NOT** dispose of with regular refuse.
- ✓ If the electrolyte in the cells contacts the skin, wash thoroughly with soap and water.
- ✓ If the electrolyte in the cells gets into the eyes, rinse thoroughly with cool water and seek immediate medical attention.

1.3. ELECTRICAL SAFETY

- USE ONLY THE SUPPLIED MAINS CHARGER PLUG FOR CONNECTING FLOODLIGHT TO THE MAINS POWER SUPPLY. ONLY USE THE SUPPLIED ADAPTOR FOR CONNECTING TO A VEHICLE 12V ACCESSORY SOCKET.**
- ☐ **WARNING!** It is the user's responsibility to read, understand and comply with the following electrical instructions:
You must ensure the risk of electric shock is minimised by the installation of appropriate safety devices. An RCCB (Residual Current Circuit Breaker) should be incorporated in the main distribution board. We also recommend that an RCD (Residual Current Device) is used with all electrical products, particularly portable equipment which is plugged into an electrical supply not protected by an RCCB.
You must also read and understand the following instructions concerning electrical safety.
- 1.3.1. **The Electricity At Work Act 1989** requires all portable electrical appliances, if used on business premises, to be tested by a qualified electrician, using a Portable Appliance Tester (PAT), at least once a year.
- 1.3.2. **The Health & Safety at Work Act 1974** makes owners of electrical appliances responsible for the safe condition of the appliance and the safety of the appliance operator. **If in any doubt about electrical safety, contact a qualified electrician.**
- 1.3.3. **You must ensure that you:**
 - ✓ Inspect the charger plug, cable and connector for wear and damage to ensure items are safe before connecting to the mains power supply. If worn or damaged **DO NOT** use.
 - ✓ Check cables are always protected against short circuit and overload.
 - ✓ **Important:** Check that the voltage marked on the charger plug is the same as the power supply to be used.
 - ✓ Uncoil the cable between charger and the floodlight.
 - ✗ **DO NOT** pull the charger plug from the mains socket by the lead.
 - ✗ **DO NOT** use any other type of charger with this product.
 - ✗ **DO NOT** place the connector into any area of the floodlight except the correct jack inlet socket.
 - ✗ **DO NOT** try to take the charger plug apart.
 - ✗ **DO NOT** use the charger plug to charge or power any other electrical item.
 - ✗ **DO NOT** get the charger wet, or use in wet, damp conditions (for indoor use only).
- ☐ **WARNING! NEVER** substitute a standard 13Amp 3 pin plug, or any other type of plug, for the charger plug.

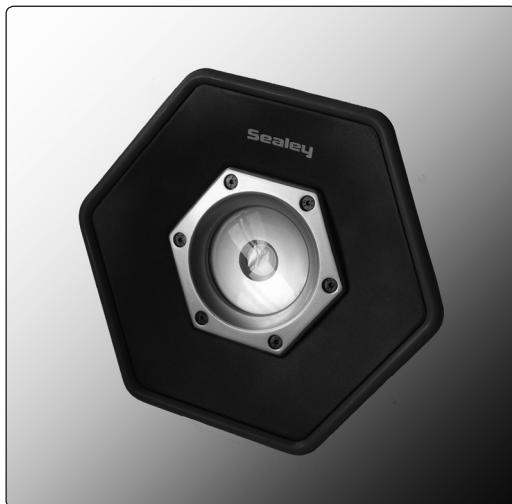
2. INTRODUCTION

Rechargeable work light with super bright COB LED light source which gives an even and constant spread of light. Produces up to 1400 lumens with a CRI (Colour Rendering Index) of 95, which gives an effect of daylight. Two settings allow for 30% or full brightness to suit task. Suitable for accurate colour matching and identifying bodywork imperfections or an environment needing good lighting. Supplied with 180° adjustable stand and is IP65 rated.

3. SPECIFICATION

Model No: **LED057**
Battery: 11.1V - 4.4Ah Li-ion
Lumen Output:200/1400lm

CRI Rating: 95
Operating Time: 8/2.5hr
Charging Time: 4hrs



4. OPERATION

WARNING! Ensure that you read, and fully understand the safety instructions before use.

4.1. Charge the batteries before use.

IMPORTANT: Ensure the floodlight is turned 'Off' whilst charging. Failure to do so could damage the charger plug.

4.2. BATTERY CHARGING

WARNING! Ensure that you read, fully understand, and apply the safety instructions relating to the battery and charger before use.

4.3. MAINS CHARGER PLUG

4.3.1. Ensure the floodlight is turned 'Off' and then plug the charger adaptor into the jack inlet (fig.1.) above the on/off switch.

Ensure that the notch in the plug (fig.2) engages with the finger in the socket to ensure correct polarity and that the plug is screwed onto the socket by the external collar.

4.3.2. Plug charger the into the electrical supply.

4.3.3. Allow approximately 4 hours for the initial charge and for subsequent charges.

4.3.4. When the batteries are fully charged, the indicator LED on the charger will change from red to green

4.3.5. When full charge has been reached, switch off the mains supply and unplug the charger from the electricity supply and then from the floodlight. The floodlight is now ready for use.

4.3.6. Store the charger in a safe, dry location.

4.2. Turn floodlight 'On' and 'Off' by the switch at the rear of the body. The first press selects low power; a second press selects high power.

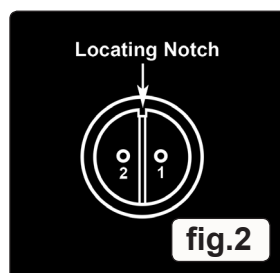
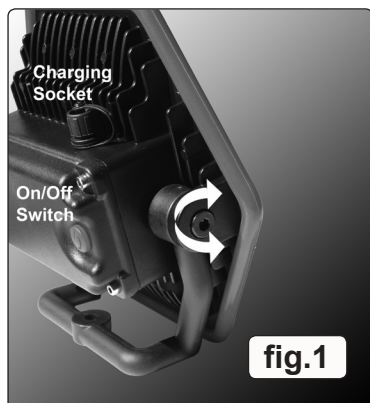
4.2.1. The angle of the lamp may be altered by rotating the support bracket (fig.1).

Notes: a) Fully charged batteries will last for approximately 8 hours on low power or 2.5 hours on high power.

b) **DO NOT** fully discharge the batteries before recharging.

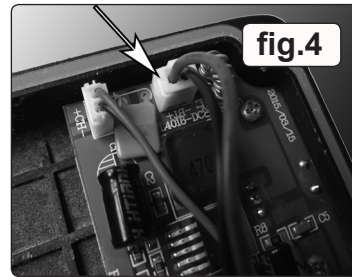
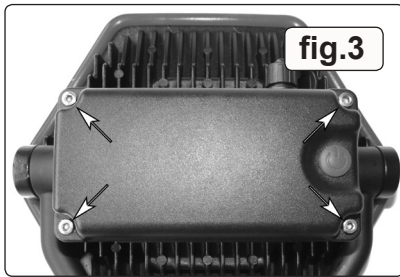
c) **DO NOT** leave batteries in a discharged state, recharge batteries immediately. If the floodlight is not in use, recharge the batteries every three months.

NOTE: The Li-ion battery does not suffer from memory effect and once fully charged the floodlight may be stored for up to 6 months before recharging is required.



❑ **IMPORTANT WARRANTY INFORMATION:**

The batteries fitted to this floodlight are considered to be consumable items and their ability to accept charge will reduce over time. We will provide warranty against mechanical and electrical defect for a period of one year - this does not cover fair wear and tear. If the batteries are not charged properly before first use, or conditioned properly, their capacity will diminish. Under these circumstances we will not replace the batteries even if they less than one year old.



Battery Removal



Undo the four hex screws on back of lamp body (fig.3) and remove the cover. Disconnect the battery plug (fig.4) and remove the batteries for appropriate disposal.

Under the Waste Batteries and Accumulators Regulations 2009, Jack Sealey Ltd are required to inform potential purchasers of products containing batteries (as defined within these regulations), that they are registered with Valpak's registered compliance scheme. Jack Sealey Ltd's Batteries Producer Registration Number (BPRN) is BPRN00705.

Environmental Protection



Recycle unwanted materials instead of disposing of them as waste. All tools, accessories and packaging should be sorted, taken to a recycling centre and disposed of in a manner which is compatible with the environment.

When the product becomes completely unserviceable and requires disposal, drain off any fluids (if applicable) into approved containers and dispose of the product and the fluids according to local regulations.

WEEE Regulations



Dispose of this product at the end of its working life in compliance with the EU Directive on Waste Electrical and Electronic Equipment (WEEE). When the product is no longer required, it must be disposed of in an environmentally protective way. Contact your local solid waste authority for recycling information.

NOTE: It is our policy to continually improve products and as such we reserve the right to alter data, specifications and component parts without prior notice.

IMPORTANT: No liability is accepted for incorrect use of this product.

WARRANTY: Guarantee is 12 months from purchase date, proof of which will be required for any claim.



Sole UK Distributor, Sealey Group,
Kempson Way, Suffolk Business Park,
Bury St. Edmunds, Suffolk,
IP32 7AR



01284 757500



www.sealey.co.uk



01284 703534



sales@sealey.co.uk