



INSTRUCTIONS FOR:  
**CHAIN BLOCKS**

MODEL No's: **CB500.V3, CB1000.V3, CB2000.V3, CB3000.V3, CB5000.V3.**

Thank you for purchasing a Sealey product. Manufactured to a high standard, this product will, if used according to these instructions and maintained properly, give you years of trouble free performance.

**IMPORTANT: PLEASE READ THESE INSTRUCTIONS CAREFULLY. NOTE THE SAFE OPERATIONAL REQUIREMENTS, WARNINGS & CAUTIONS. USE THE PRODUCT CORRECTLY AND WITH CARE FOR THE PURPOSE FOR WHICH IT IS INTENDED. FAILURE TO DO SO MAY CAUSE DAMAGE AND/OR PERSONAL INJURY AND WILL INVALIDATE THE WARRANTY. KEEP THESE INSTRUCTIONS SAFE FOR FUTURE USE.**



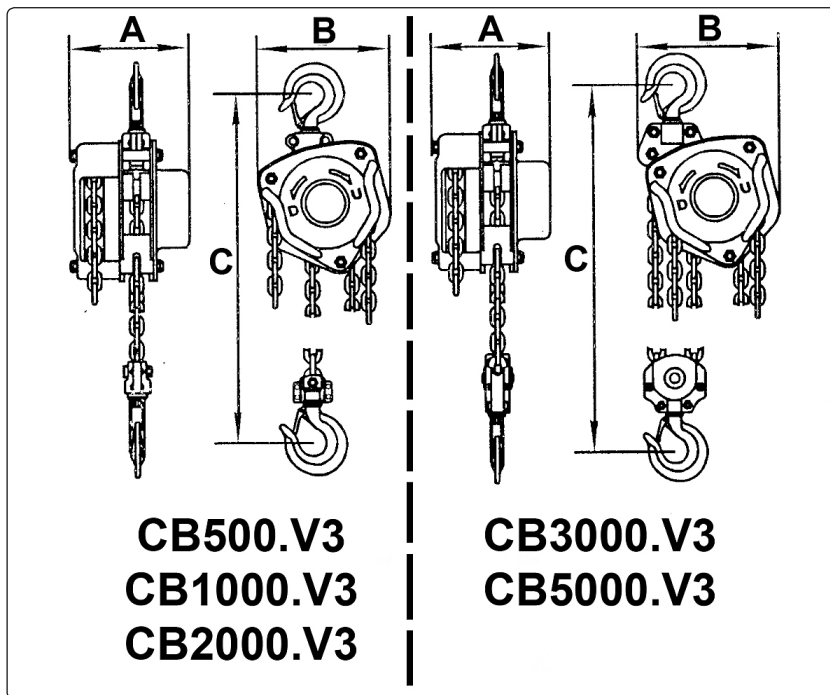
Refer to instruction manual

**1. CONTENTS**

	Page No.		Page No.
Section 2. General	1.	Section 5. Assembly and storage	3.
Section 2.1. Identification	1.	Section 6. Owner's & Operator's Responsibilities	3.
Section 2.2. Technical Data	1.	Section 7. Declaration of Conformity	4.
Section 3. Safety/Operational Instructions	2.	Section 8. Parts List/Diagram	5.
Section 4. Maintenance/Examination/Inspection	2.		

**2.1. Identification**

Supplier: Sealey Power Products,  
Kempson Way,  
Suffolk Business Park,  
Bury St Edmunds,  
Suffolk, IP32 7AR.  
Model No's: CB500.V3, CB1000.V3,  
CB2000.V3, CB3000.V3,  
CB5000.V3.



**2.2. Technical Data (A,B and C refer to fig.1)**

Model No:	CB500.V3	CB1000.V3	CB2000.V3	CB3000.V3	CB5000.V3
Safe Working Load:	500kg	1000kg	2000kg	3000kg	5000kg
Test Load:	750kg	1500kg	3000kg	4500kg	7500kg
Standard Lift (C):	2.5mtr	2.5mtr	3mtr	3mtr	3mtr
Load Chain Diameter:	6mm	6mm	8mm	8mm	10mm
Pulling Effort:	23.5kgf	31.5kgf	36.7kgf	34.67kgf	42.22kgf
Head Room:	295mm	317mm	470mm	530mm	588mm
Overall Width (B):	127mm	140mm	187mm	199mm	186mm
Overall Depth (A):	131mm	158mm	161mm	161mm	253mm
Hook Aperture:	25mm	23mm	33mm	35mm	50mm
Maximum Hook Capacity Ø:	35mm	40mm	45mm	50mm	65mm
Weight:	10kg	12kg	19kg	25kg	43kg

- a) Design Capability: Test Load 50% overload.
- b) For applications see Section 3.
- c) For information on parts and materials requiring specialised repair techniques see Section 4.
- d) Ambient operating temperature is between -10°C and +50°C.

### 3.1. SAFETY

- ✓ Ensure that the chain block is in a good working order and condition. Follow the inspection requirements as described in Section 4 Maintenance. *Take immediate action to repair or replace damaged parts by contacting your supplier. Ensure that all accessory lifting devices are suitably certified. If chain block is damaged, remove from service immediately.*  
Use recommended parts only. The use of unauthorised parts may be dangerous and will invalidate the warranty.
- ❑ **WARNING! Failure to heed safety and warning instructions may result in damage and/or personal injury and will invalidate the warranty.**
  - ✓ **This chain block is designed for lifting within a garage or workshop environment.**
  - ✓ Ensure the support for the chain block is capable of withstanding a load of at least 1½ times the chain block safe working load.
  - ✓ Keep the chain block clean for the best and safest performance.
  - ✓ Locate the chain block in a suitable, well lit work area.
  - ✓ Keep work area clean and tidy and free from unrelated materials.
  - ✓ Ensure all non-essential persons keep a safe distance whilst the chain block is in use.
  - ✓ Keep children and unauthorised persons away from the working area.
  - ✓ To avoid injury, be fully aware of your own and other people's locations, in relation to the lifting, and lowering, of the load.
  - ✓ Keep a sound footing and balance, and ensure the floor is not slippery.
  - ✓ Ensure load sling(s) are fully engaged in load hook and that hook safety bar is in the closed position.
  - ✓ Raise and lower in a smooth, controlled manner and **DO NOT** shock load the chain block by allowing the attached load to fall freely, even for very short distances. Lower load with care, ensuring that you are fully aware of the condition of the surface onto which the load is to be placed.
  - ✓ Check the brake operation by stopping when the load has been raised a short distance (100mm) and ensuring that it is held with no downward creep.
  - ✓ Use a qualified person to lubricate and maintain the chain block.
- ▲ **DANGER:** Use the chain block for lifting only, **NOT** for supporting the lifted load.
- ✗ **DO NOT** use the chain block in an explosive or corrosive atmosphere.
- ✗ **DO NOT** operate the chain block if damaged.
- ✗ **DO NOT** allow untrained persons to operate the chain block.
- ✗ **DO NOT** exceed the rated capacity (safe working load) of the chain block.
- ✗ **DO NOT** attempt to lift a load if the load chain is kinked or knotted.
- ✗ **DO NOT** try to raise a load with two, or more, chain blocks - use a single block of adequate capacity.
- ✗ **DO NOT** use the chain block to drag the load across the floor. Always position the load directly below the block.
- ✗ **DO NOT** wrap the load chain around the load - always use separate and suitable slings/chains/ropes of the correct capacity.
- ✗ **DO NOT** allow anyone to stand or pass beneath the raised load.
- ✗ **DO NOT** use the chain block for purposes other than that for which it is designed.
- ✗ **DO NOT** use whilst under the influence of drugs, alcohol or intoxicating medication.
- ✓ When not in use, store in a safe, dry, childproof location.



**NOTE: ENSURE THAT YOU HAVE READ AND UNDERSTOOD THE SAFETY INSTRUCTIONS AT THE BEGINNING OF THIS SECTION BEFORE YOU OPERATE THE CHAIN BLOCK.**

**NOTE:** The Chain Block **MUST** be kept clean and dry and must be maintained in accordance with these instructions.

#### 4.1. Lubrication.

Lubricate the load chain and both hook shanks regularly.

#### 4.2. Inspection and Examination of Chain Block Before Use.

- 4.2.1. Before each use of the chain block, an inspection must be performed for damage, loose or missing parts.
- 4.2.2. The chain block must be examined immediately, if it has been subject to an abnormal load or shock. It is recommended that such an examination is made by an authorised service agent.
- 4.2.3. The owner and/or operator must be aware that repair of this equipment will require specialised knowledge and facilities. It is recommended that an annual examination of the chain block is made by an authorised service agent.
- 4.2.4. Unauthorised parts may be dangerous and will invalidate the warranty.

**Note! Please see the Definition of 'inspection' and 'examination' below.**

##### Inspection:

Looking at the chain block for defects and checking the operation of the hooks, the load chain, the brake device and lubrication of the block without loading it. This is much more than a check but does not normally require any part of the chain block to be dismantled, other than removal or opening of covers or housings.

##### Examination:

Verification that the chain block can safely continue in service including a functional test of all safety devices i.e. the brake device etc to verify that they operate within the required tolerances. An examination is more thorough than an inspection.

### 4. MAINTENANCE / EXAMINATION / INSPECTION

**NOTE:** The Chain Block **MUST** be kept clean and dry and must be maintained in accordance with these instructions.

#### 4.1. Lubrication.

Lubricate the load chain and both hook shanks regularly.

#### 4.2. Inspection and Examination of Chain Block Before Use.

- 4.2.1. Before each use of the chain block, an inspection must be performed for damage, loose or missing parts.
- 4.2.2. The chain block must be examined immediately, if it has been subject to an abnormal load or shock. It is recommended that such an examination is made by an authorised service agent.
- 4.2.3. The owner and/or operator must be aware that repair of this equipment will require specialised knowledge and facilities. It is recommended that an annual examination of the chain block is made by an authorised service agent.
- 4.2.4. Unauthorised parts may be dangerous and will invalidate the warranty.

**Note! Please see the Definition of 'inspection' and 'examination' below.**

##### Inspection:

Looking at the chain block for defects and checking the operation of the hooks, the load chain, the brake device and lubrication of the block without loading it. This is much more than a check but does not normally require any part of the chain block to be dismantled, other than removal or opening of covers or housings.

##### Examination:

Verification that the chain block can safely continue in service including a functional test of all safety devices i.e. the brake device etc to verify that they operate within the required tolerances. An examination is more thorough than an inspection.

## 5. ASSEMBLY / STORAGE INSTRUCTIONS

### 5.1. ASSEMBLY.

The chain block is delivered assembled. Unpack the product and check contents against the parts list in these instructions. Should there be any damaged or missing parts, contact your supplier immediately. It is recommended that two people lift the heavier models from their boxes and hook them onto the support to be used.

### 5.2. STORAGE.

Store in a safe, dry, childproof location.

## 6. OWNER'S & OPERATOR'S RESPONSIBILITIES

*The owner and/or operator shall study these instructions and retain them for future use.*

### 6.1. Understanding instructions and warnings.

The owner and/or operator shall understand the operating instructions and warnings before operating the chain block. Warning information must be emphasised and understood.

If the operator is not fluent in English, the product instructions and warnings must be read to, and discussed with, the operator in the operator's native language by the owner, making sure the operator understands the contents.

### 6.2. Damaged Chain blocks.

Any chain block which appears to be damaged, badly worn, or operates abnormally, **MUST BE REMOVED FROM SERVICE!** It is recommended that necessary repairs be made by an authorised service agent.

### 6.3. End of service.

Through years of normal wear, the chain block will eventually become unserviceable. When this happens ensure that it is disposed of in accordance with local authority regulations.

### ENVIRONMENT PROTECTION



Recycle unwanted materials instead of disposing of them as waste. All tools, accessories and packaging should be sorted, taken to a recycling centre and disposed of in a manner which is compatible with the environment. When the product becomes completely unserviceable and requires disposal, drain any fluids (if applicable) into approved containers and dispose of the product and fluids according to local regulations.

**Note:** It is our policy to continually improve products and as such we reserve the right to alter data, specifications and component parts without prior notice.

**Important:** No Liability is accepted for incorrect use of this product.

**Warranty:** Guarantee is 12 months from purchase date, proof of which is required for any claim.

Sealey Group, Kempson Way, Suffolk Business Park, Bury St Edmunds, Suffolk. IP32 7AR



01284 757500



01284 703534



sales@sealey.co.uk



www.sealey.co.uk



# EC DECLARATION OF CONFORMITY

Description and Function: **Chain Blocks**

Model/Type: **CB500 v3, CB1000 v3, CB2000 v3, CB3000 v3 & CB5000 v3**

Manufacturing Date/Serial Number where applicable: .....

2006/42/EC Machinery Directive

This declaration of conformity is issued under the sole responsibility of the manufacturer:

**Jack Sealey Ltd, Kempson Way, Suffolk Business Park, Bury St Edmunds, Suffolk. IP32 7AR**

Declaration of Conformity in accordance with the above Directive(s).

References to harmonised standard(s)

EN 13157:2004+A1:2009 .....  
.....  
.....  
.....  
.....  
.....

Technical file compiled by: **Jack Sealey Ltd**

**Being the responsible person appointed by the manufacturer.**

Signed *Steve Buckle* .....

Date 19 September 2017 .....

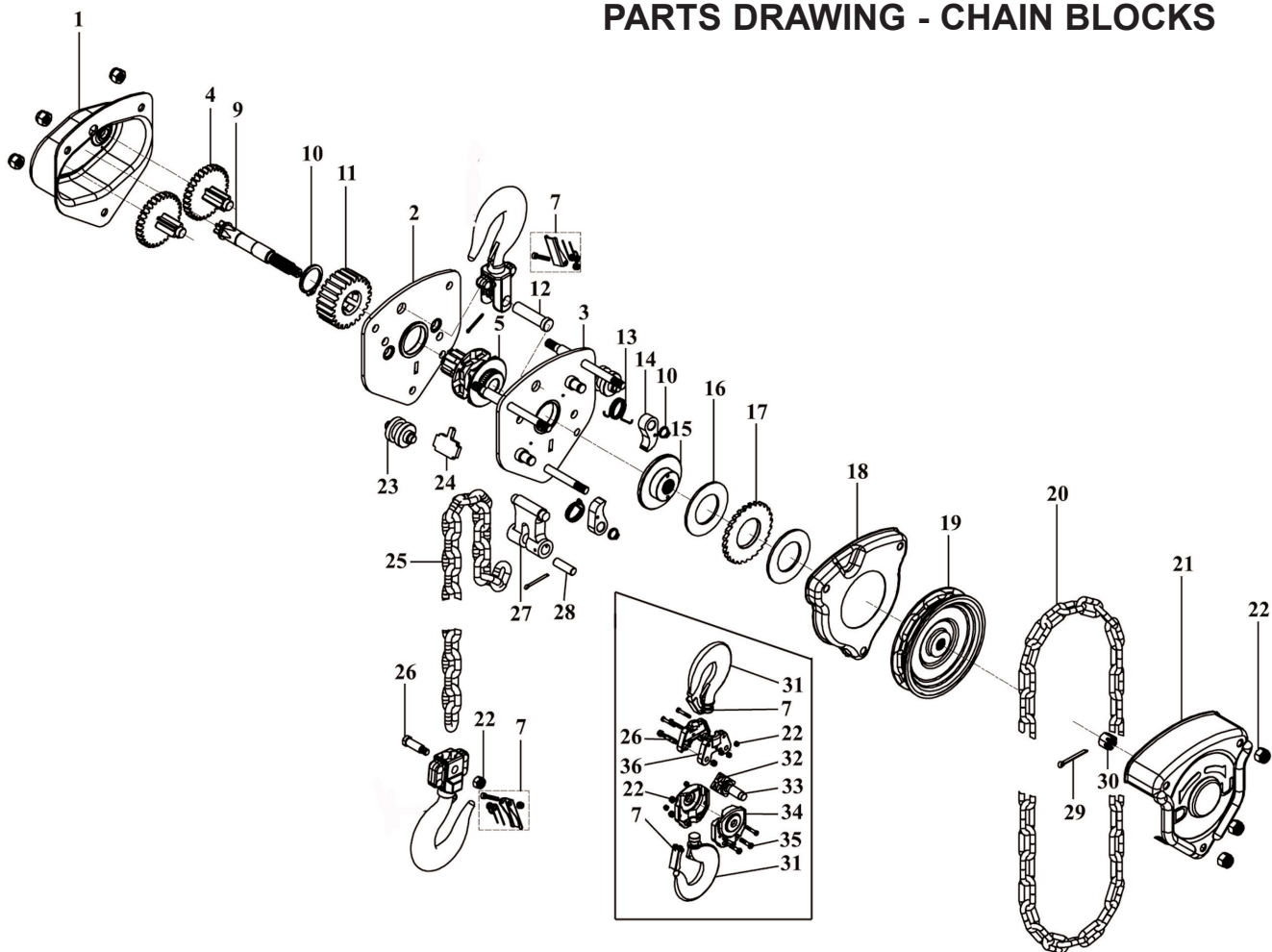
Name Steve Buckle .....

Position Marketing Director .....

Place: Bury St Edmunds

**Sealey Group, Kempson Way, Suffolk Business Park, Bury St Edmunds, Suffolk. IP32 7AR**  
 01284 757500 01284 703534 sales@sealey.co.uk www.sealey.co.uk

# PARTS DRAWING - CHAIN BLOCKS



	CB500.V3	CB1000.V3	CB2000.V3	CB3000.V3	CB5000.V3	
ITEM	PART NO	PART NO	PART NO	PART NO	PART NO	DESCRIPTION
1	CB500.V3-01	CB1000.V3-01	CB2000.V3-01	CB3000.V3-01	CB5000.V3-01	GEAR CASE ASS'Y
2	CB500.V3-02	CB1000.V3-02	CB2000.V3-02	CB3000.V3-02	CB5000.V3-02	GEAR SIDE PLATE ASS'Y
3	CB500.V3-03	CB1000.V3-03	CB2000.V3-03	CB3000.V3-03	CB5000.V3-03	LEVER SIDE PLATE
4	CB500.V3-04	CB1000.V3-04	CB2000.V3-04	CB3000.V3-04	CB5000.V3-04	THIRD GEAR ASS'Y
5	CB500.V3-05	CB1000.V3-05	CB2000.V3-05	CB3000.V3-05	CB5000.V3-05	HOISTING CHAIN WHEEL ASS'Y
6	CB500.V3-06	CB1000.V3-06	CB2000.V3-06	--	--	TOP HOOK ASS'Y
7	CB500.V3-07	CB1000.V3-07	CB2000.V3-07	CB3000.V3-07	CB5000.V3-07	SAFETY LATCH ASS'Y
8	CB500.V3-08	CB1000.V3-08	CB2000.V3-08	--	--	BOTTOM HOOK ASS'Y
9	CB500.V3-09	CB1000.V3-09	CB2000.V3-09	CB3000.V3-09	CB5000.V3-09	PINION GEAR
10	CB500.V3-10	CB1000.V3-10	CB2000.V3-10	CB3000.V3-10	CB5000.V3-10	SNAP RING
11	CB500.V3-11	CB1000.V3-11	CB2000.V3-11	CB3000.V3-11	CB5000.V3-11	LOAD GEAR
12	CB500.V3-12	CB1000.V3-12	CB2000.V3-12	CB3000.V3-12	CB5000.V3-12	TOP HOOK PIN
13	CB500.V3-13	CB1000.V3-13	CB2000.V3-13	CB3000.V3-13	CB5000.V3-13	PAWL SPRING
14	CB500.V3-14	CB1000.V3-14	CB2000.V3-14	CB3000.V3-14	CB5000.V3-14	PAWL
15	CB500.V3-15	CB1000.V3-15	CB2000.V3-15	CB3000.V3-15	CB5000.V3-15	DISC HUB
16	CB500.V3-16	CB1000.V3-16	CB2000.V3-16	CB3000.V3-16	CB5000.V3-16	FRICTION PLATE
17	CB500.V3-17	CB1000.V3-17	CB2000.V3-17	CB3000.V3-17	CB5000.V3-17	RATCHET
18	CB500.V3-18	CB1000.V3-18	CB2000.V3-18	CB3000.V3-18	CB5000.V3-18	RATCHET HOUSING
19	CB500.V3-19	CB1000.V3-19	CB2000.V3-19	CB3000.V3-19	CB5000.V3-19	HAND CHAIN WHEEL
20	CB500.V3-20	CB1000.V3-20	CB2000.V3-20	CB3000.V3-20	CB5000.V3-20	HAND CHAIN
21	CB500.V3-21	CB1000.V3-21	CB2000.V3-21	CB3000.V3-21	CB5000.V3-21	COVER
22	CB500.V3-22	CB1000.V3-22	CB2000.V3-22	CB3000.V3-22	CB5000.V3-22	HEX NUT
23	CB500.V3-23	CB1000.V3-23	CB2000.V3-23	CB3000.V3-23	CB5000.V3-23	GUIDE ROLLER
24	CB500.V3-24	CB1000.V3-24	CB2000.V3-24	CB3000.V3-24	CB5000.V3-24	BAFFLE JOINT
25	CB500.V3-25	CB1000.V3-25	CB2000.V3-25	CB3000.V3-25	CB5000.V3-25	LOAD CHAIN
26	CB500.V3-26	CB1000.V3-26	CB2000.V3-26	CB3000.V3-26	CB5000.V3-26	CHAIN PIN
27	CB500.V3-27	CB1000.V3-27	CB2000.V3-27	CB3000.V3-27	CB5000.V3-27	LINK PIN HOUSING
28	CB500.V3-28	CB1000.V3-28	CB2000.V3-28	CB3000.V3-28	CB5000.V3-28	LINK PIN
29	CB500.V3-29	CB1000.V3-29	CB2000.V3-29	CB3000.V3-29	CB5000.V3-29	SPLIT PIN
30	CB500.V3-30	CB1000.V3-30	CB2000.V3-30	CB3000.V3-30	CB5000.V3-30	NUT
31	--	--	--	CB3000.V3-31	CB5000.V3-31	BOTTOM HOOK
32	--	--	--	CB3000.V3-32	CB5000.V3-32	ROLLER
33	--	--	--	CB3000.V3-33	CB5000.V3-33	ROLLER AXLE
34	--	--	--	CB3000.V3-34	CB5000.V3-34	BOTTOM HOOK COVER
35	--	--	--	CB3000.V3-35	CB5000.V3-35	HEX BOLT
36	--	--	--	CB3000.V3-36	CB5000.V3-36	TOP HOOK COVER