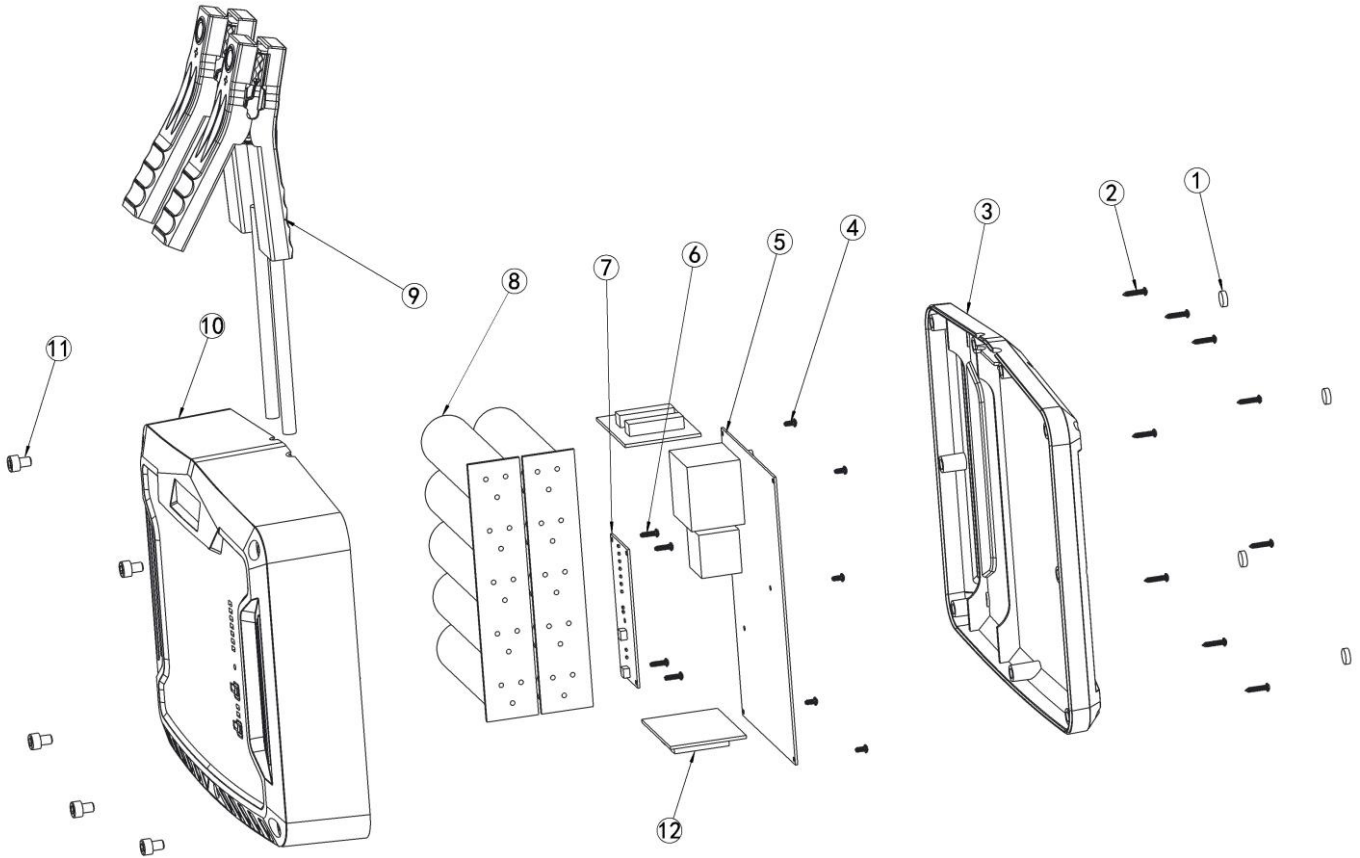




Parts Information:  
**ElectroStart® Batteryless Power Start**  
**1000/1600A 12/24V**  
**Model No: E/START1224**



Item	Part No.	Description
1	ESTART1224.01	RUBBER FOOT
2	ESTART1224.02	SCREW 3x16mm
3	ESTART1224.03	BOTTOM COVER
4	ESTART1224.04	SCREW 3x8mm
5	ESTART1224.05	MAIN PCB
6	ESTART1224.06	SCREW 3x12mm

Item	Part No.	Description
7	ESTART1224.07	CONTROL PCB
8	ESTART1224.08	CAPACITOR
9	ESTART1224.09	CLAMPS (POSTIVE & NEGATIVE)
10	ESTART1224.10	TOP COVER
11	ESTART1224.11	SCREW M6
12	ESTART1224.12	DISCHARGE PCB

**NOTE:** It is our policy to continually improve products and as such we reserve the right to alter data, specifications and component parts without prior notice.

**IMPORTANT:** No liability is accepted for incorrect use of product.

**WARRANTY:** Guarantee is 12 months from purchase date, proof of which will be required for any claim.

**Sealey Group**, Kempson Way, Suffolk Business Park, Bury St Edmunds, Suffolk. IP32 7AR



01284 757500



01284 703534



sales@sealey.co.uk



www.sealey.co.uk