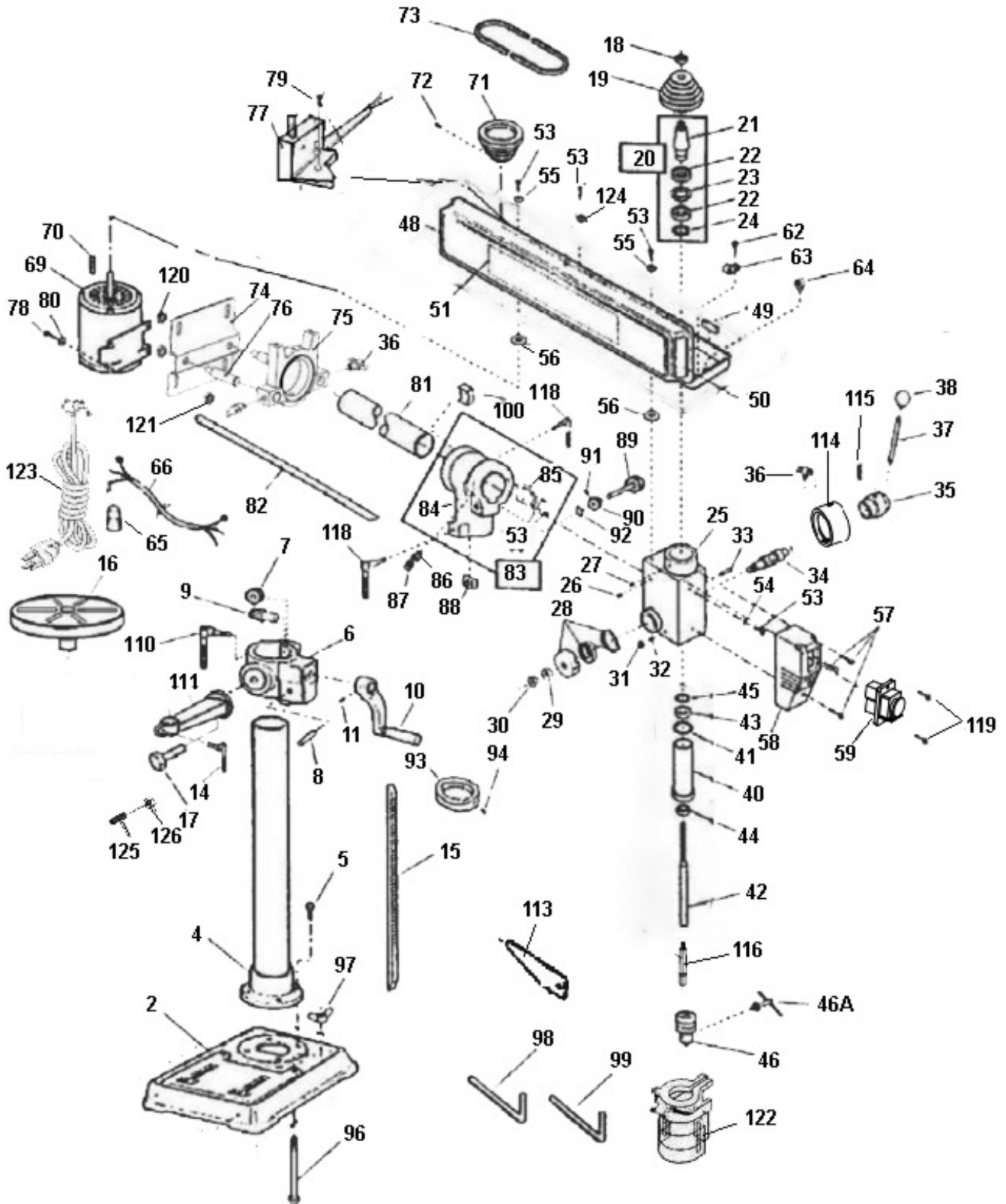


Parts Information:
**Radial Pillar Drill Bench 5-Speed 820mm
 Height 550W/230V
 Model No: GDM790BR**



NOTE: It is our policy to continually improve products and as such we reserve the right to alter data, specifications and component parts without prior notice. There may be alternative versions of this product, please contact us should you require this information.

IMPORTANT: No liability is accepted for incorrect use of product. Spare parts must be fitted by a competent person

WARRANTY: Guarantee is 12 months from purchase date, proof of which will be required for any claim.



Parts Information:
**Radial Pillar Drill Bench 5-Speed 820mm
 Height 550W/230V
 Model No: GDM790BR**

Item	Part No.	Description
2	GDM92B/01	Base
4	GDM790BR/04	Column and Flange Assembly
5	SS820.S	Hex Head Set Screw M8 x 20mm
6	GDM790BR/06	Table Bracket
7	GDM790BR/07	Gear, Table Lift
8	GDM790BR/08	Gear Shaft
9	GDM790BR/09	Worm Pinion
10	GDM790BR/10	Lift Handle
11	GDM790BR/11	Set Screw
14	GDM790BR/14	Lock Handle
15	GDM790BR/15	Vertical Rack
16	GDM790BR/16	Table
17	SCB1220.SB	Socket Cap Bolt M12 x 20mm Black
18	GDM790BR/18	Pulley Set Nut
19	GDM790BR/19	Spindle, Pulley
20	GDM790BR/20	Drive Sleeve Assembly
21	GDM790BR/21	Drive Sleeve
22	B/6203ZZ	Bearing
23	GDM790BR/23	Collar
24	SM355B.40	External Circlip
25	GDM790BR/25	Housing
26	GSM825.S	Grub Screw M8 x 25mm
27	GSM810.S	Grub Screw M8 x 10mm
28	GDM790BR/28	Cap and Retain Spring
29	SN12.S	Steel Nut M12
30	GDM92B/47	Half Nut, Fine Pitch M12 x 1.5mm
31	GDM790BR/31	Hex Nut
32	GSM824.S	Grub Screw M8 x 24mm
33	GDM790BR/33	Stop Pin
34	GDM790BR/34	Feed Shaft Assembly
35	GDM790BR/35	Depth Gauge Assembly
36	GDM790BR/36	Butterfly Set Screws
37	GDM790BR/37	Handle Bar
38	GDM790BR/38	Handle Bar Knob
40	GDM790BR/40	Quill
41	GDM790BR/41	Rubber Washer
42	GDM790BR/42	Spindle Shaft
43	B/6201-2RS	Bearing
44	B/6204-2RS	Bearing
45	1050CXLE.08	External Circlip
46	GDM92B/20	Chuck
46A	GDM92B/44	Chuck Key
48	GDM790BR/48	Pulley Cover

Item	Part No.	Description
49	GDM790BR/49	Rubber Bumpers
50	GDM790BR/50	Label
51	GDM790BR/51	Belt Speed Label
53	MSP510.S	Machine Screw Pan Head Phillips M5 x10mm
54	GDM790BR/54	Starwasher
55	GDM790BR/55	Flatwasher
56	GDM790BR/56	Rubber Washer
57	GDM790BR/57	Pan Head Screws
58	GDM160FX/045	Housing for Switch
59	GDM92B/50	Switch, Power (c/w Cover)
62	GDM790BR/62	Screw
63	GDM790BR/63	Clamp
64	GDM790BR/64	Bush
65	GDM790BR/65	Wire Nut
66	GDM790BR/66	Switch Cord
69	GDM790BR/69	Motor
70	GDM790BR/70	Key, Square Drive
71	GDM790BR/71	Motor Pulley
72	GSM610.S	Grub Screw M6 x 10mm
73	V/M57	V-belt (ID-1450) M57
74	GDM790BR/74	Motor Bracket
75	GDM790BR/75	Cover Mount
76	GDM790BR/76	Push Tee
77	GDM790BR/77	Micro Switch
78	GDM790BR/78	Hex Head Bolt
79	GDM790BR/79	Hex Head Screw
80	GDM790BR/80	Flat Washer
81	GDM790BR/81	Horizontal Tube
82	GDM790BR/82	Horizontal Rack
83	GDM790BR/83	Head
84	GDM790BR/84	Column Head
85	GDM790BR/85	Angle Gauge
86	GDM790BR/86	Nut
87	GDM790BR/87	Vertical Lock
88	GDM790BR/88	Lock Shoe, Recessed
89	GDM790BR/89	Horizontal Knob Assembly
90	GDM790BR/90	Horizontal Feed Gear
91	GDM790BR/91	Socket Set Screw
92	RE231V3-04	External Circlip
93	GDM790BR/93	Rack Ring
94	GDM790BR/94	Set Screw, Headless
96	GDM790BR/96	Bolt M8 x 126mm

NOTE: It is our policy to continually improve products and as such we reserve the right to alter data, specifications and component parts without prior notice. There may be alternative versions of this product, please contact us should you require this information.

IMPORTANT: No liability is accepted for incorrect use of product. Spare parts must be fitted by a competent person

WARRANTY: Guarantee is 12 months from purchase date, proof of which will be required for any claim.

Sealey Group, Kempson Way, Suffolk Business Park, Bury St Edmunds, Suffolk. IP32 7AR



01284 757500



01284 703534



sales@sealey.co.uk



www.sealey.co.uk



Parts Information:
Radial Pillar Drill Bench 5-Speed 820mm
Height 550W/230V
Model No: GDM790BR

Item	Part No.	Description
97	SN8.SW	Wing Nut M8
98	GDM790BR/98	Hex Handle
99	GDM790BR/99	Hex Handle
100	GDM790BR/100	Lock Shoe
110	GDM790BR/110	Lock Handle
111	GDM790BR/111	Table Arm
113	GDM790BR/113	Wedge
114	GDM790BR.114	Depth Ring
115	GDM790BR.115	Roll Pin
116	GDM790BR.116	Arbor
118	GDM790BR.118	Locking Handle
119	GDM790BR.119	Screw
120	GDM790BR.120	Nut
121	GDM790BR.121	Nut
122	DPG99	Drill Press Guard
123	GDM790BR.123	Power Cord
124	GDM790BR.124	Ring

Item	Part No.	Description
125	GDM790BR.125	Roll Pin
126	GDM790BR.126	Nut
--	GDM790BR/01	Base Assembly (Not Shown)
--	GDM790BR/03	Tipping Warning Label (Not Shown)
--	GDM790BR/12	Hex Nut (Not Shown)
--	MSP512.S	Screw, Phillips M5 x 12mm (Not Shown)
--	GDM790BR/16A	Square Table (Not Shown)
--	GDM790BR.35A	Scale Ring (Not Shown)
--	GDM790BR/39	Quill Assembly (Not Shown)
--	GDM92B/21	Arbor (Not Shown)
--	GDM790BR/47	Pulley Cover Assembly (Not Shown)
--	GDM790BR/52	Pulley Cover Knob (Not Shown)
--	GDM790BR/60	Head Screws (Not Shown)
--	GDM790BR/61	Power Cord (Not Shown)
--	GDM790BR/67	Table (Not Shown)
--	GDM790BR/68	Bracket (Not Shown)

NOTE: It is our policy to continually improve products and as such we reserve the right to alter data, specifications and component parts without prior notice. There may be alternative versions of this product, please contact us should you require this information.

IMPORTANT: No liability is accepted for incorrect use of product. Spare parts must be fitted by a competent person

WARRANTY: Guarantee is 12 months from purchase date, proof of which will be required for any claim.

Sealey Group, Kempson Way, Suffolk Business Park, Bury St Edmunds, Suffolk. IP32 7AR



01284 757500



01284 703534



sales@sealey.co.uk



www.sealey.co.uk