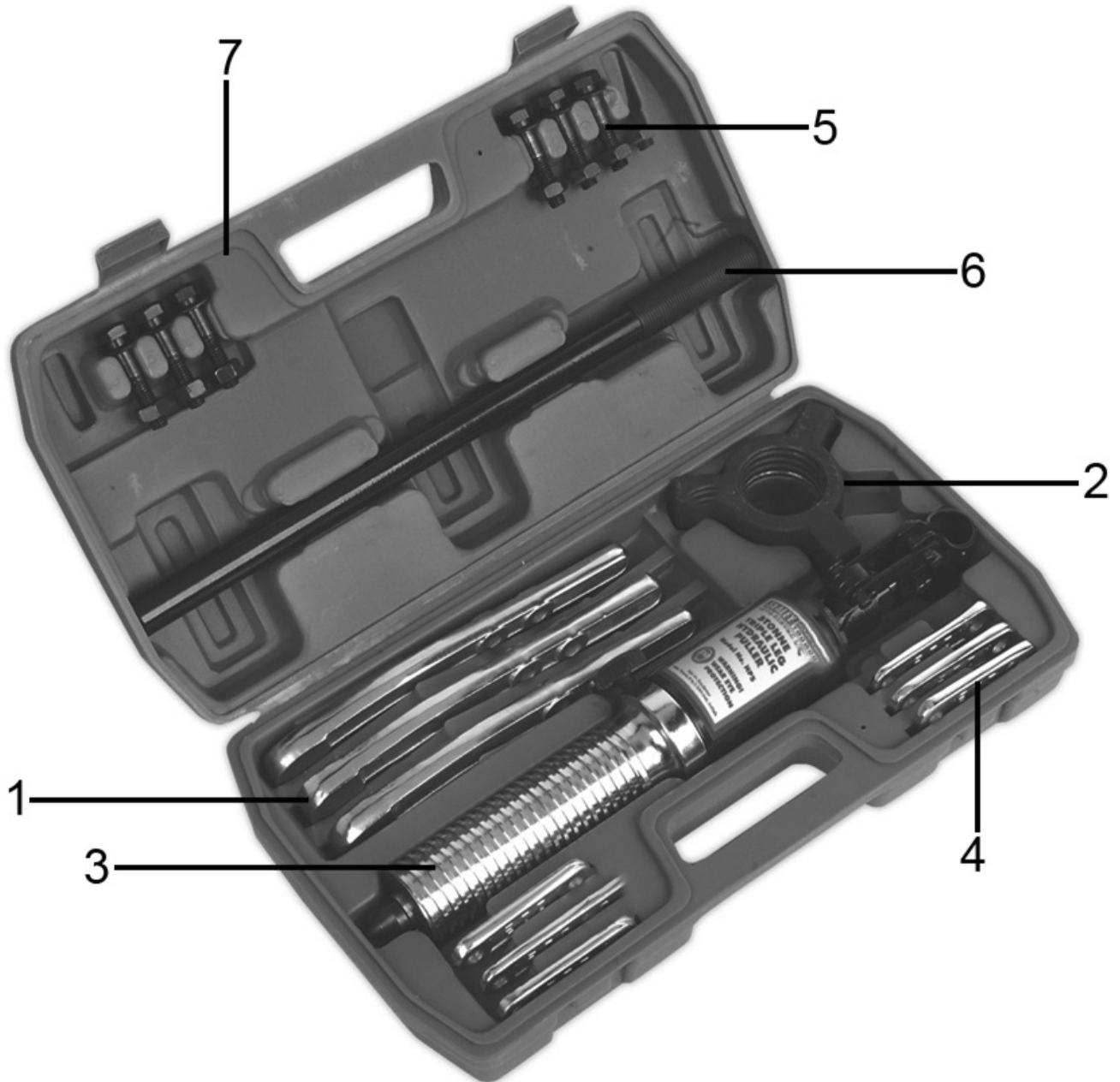




Parts Information:
Triple Leg Hydraulic Puller 10tonne
Model No: HP10



Item	Part No.	Description
1	HP10.01	Leg (Set Of 3)
2	HP10.02	Triple Head
3	HP10.03	Ram
4	HP10.04	Leg Connector (Set Of 6)

Item	Part No.	Description
5	HP10.05	Nut and Bolt (Set Of 6)
6	HP10.06	Pump Handle
7	HP10.07	Blow Mould Case

NOTE: It is our policy to continually improve products and as such we reserve the right to alter data, specifications and component parts without prior notice. There may be alternative versions of this product, please contact us should you require this information.

IMPORTANT: No liability is accepted for incorrect use of product. Spare parts must be fitted by a competent person

WARRANTY: Guarantee is 12 months from purchase date, proof of which will be required for any claim.

Sealey Group, Kempson Way, Suffolk Business Park, Bury St Edmunds, Suffolk. IP32 7AR



01284 757500



01284 703534



sales@sealey.co.uk



www.sealey.co.uk