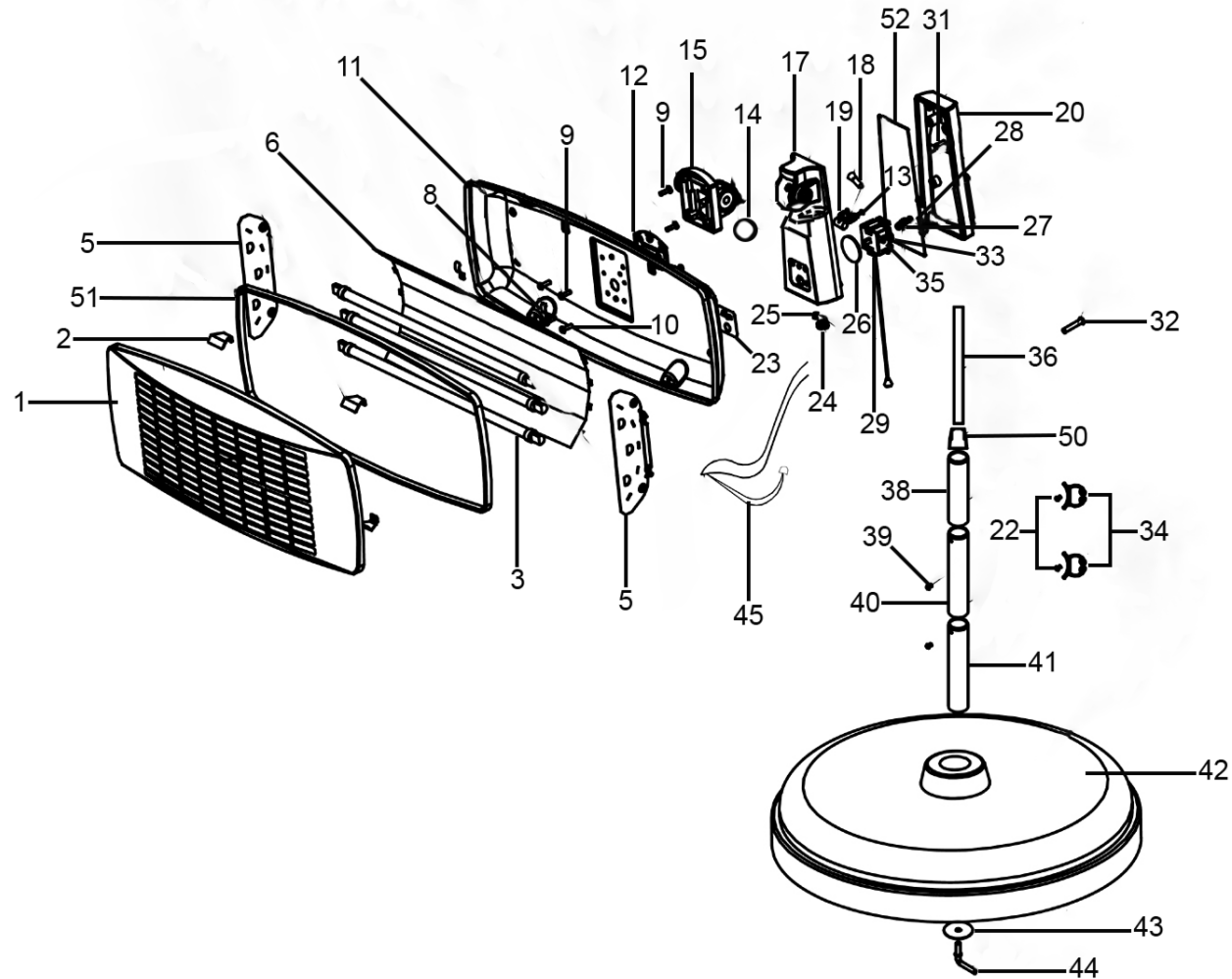




Parts Information:
Infrared Quartz Patio Heater 2000W/230V with Telescopic Floor Stand
Model No: IFSH2003



NOTE: It is our policy to continually improve products and as such we reserve the right to alter data, specifications and component parts without prior notice.

There may be alternative versions of this product, please contact us should you require this information.

IMPORTANT: No liability is accepted for incorrect use of product. Spare parts must be fitted by a competent person

WARRANTY: Guarantee is 12 months from purchase date, proof of which will be required for any claim.

Sealey Group, Kempson Way, Suffolk Business Park, Bury St Edmunds, Suffolk. IP32 7AR



01284 757500



01284 703534



sales@sealey.co.uk



www.sealey.co.uk



Parts Information:
**Infrared Quartz Patio Heater 2000W/230V
with Telescopic Floor Stand
Model No: IFSH2003**

Item	Part No.	Description
1	IWMH2003.01	Housing, Front
2	IWMH2003.02	Clip, Front Housing
3	IWMH2003.03	Heating Element
5	IWMH2003.05	Bracket, Reflector
6	IWMH2003.06	Reflector
8	IWMH2003.08	Clamp, Internal Wire
9	IWMH1809R.42	Rd Head S/T Screw M3.8 x 10mm
10	IWMH1809R.01	Rd Head S/T Screw M3 x 10mm, Security
11	IWMH2003.11	Housing, Rear
12	IWMH2003.12	Cover, Hinge
13	IWMH2003.13	Rd Head S/T Screw M3.9 x 10mm
14	IWMH2003.14	Seal, Hinge
15	IWMH2003.15	Hinge
17	IWMH2003.17	Control Box
18	IFSH2003.18	Cap
19	IFSH2003.19	Switch, Tip Over
20	IWMH2003.20	Cover, Control Box
22	IFSH2003.22	Screw M4 x 8mm
23	IWMH2003.23	Label
24	IWMH2003.24	Cord Bush
25	IWMH2003.25	String Bush
26	IWMH2003.26	Round Plate
27	IWMH2003.27	Cord Clamp
28	SM31.V3-21	Rd Head S/T Screw M3.8 x 12mm
29	IWMH2003.29	Switch, Pull-Cord Power
31	IWMH2003.31	Rd Head S/T Screw M3.8 x 28mm

Item	Part No.	Description
32	MSP615.S	Machine Screw Pan Head Phillips M6 x 15mm
33	IWMH2003.33	Rd Head S/T Screw M3.9 x 10mm
34	IFSH2003.34	Cord Clip
35	SG115.V2-39	Rd Head S/T Screw M2.9 x 8mm
36	IFSH2003.36	Inner Tube
38	IFSH2003.38	Upper Tube
39	IFSH2003.39	Screw M6 x 8mm
40	IFSH2003.40	Middle Tube
41	IFSH2003.41	Lower Tube
42	IFSH2003.42	Base
43	IFSH2003.43	Washer
44	IFSH2003.44	Screw, L-Shape
45	IWMH2003.37	Internal Wire Assembly
50	IFSH2003.50	Fastener
51	IWMH2003.41	Seal Ring
52	IWMH2003.44	Seal Ring, Control Box
--	IWMH2003.04	Screw (Not Shown)
--	SN4.S	Steel Nut M4 (Not Shown)
--	MSP838.S	Machine Screw Pan Head Phillips M8 x 38mm (Not Shown)
--	IWMH2003.21	Nut (Not Shown)
--	IFSH2003.37	Bushing (Not Shown)
--	MSP410.S	Machine Screw Pan Head Phillips M4 x 10mm (Not Shown)
--	IFSH2003.48	Spring Washer (Not Shown)
--	TS10SEW.121	Ext Tooth Washer M4 (Not Shown)

NOTE: It is our policy to continually improve products and as such we reserve the right to alter data, specifications and component parts without prior notice. There may be alternative versions of this product, please contact us should you require this information.

IMPORTANT: No liability is accepted for incorrect use of product. Spare parts must be fitted by a competent person

WARRANTY: Guarantee is 12 months from purchase date, proof of which will be required for any claim.

Sealey Group, Kempson Way, Suffolk Business Park, Bury St Edmunds, Suffolk. IP32 7AR



01284 757500



01284 703534



sales@sealey.co.uk



www.sealey.co.uk