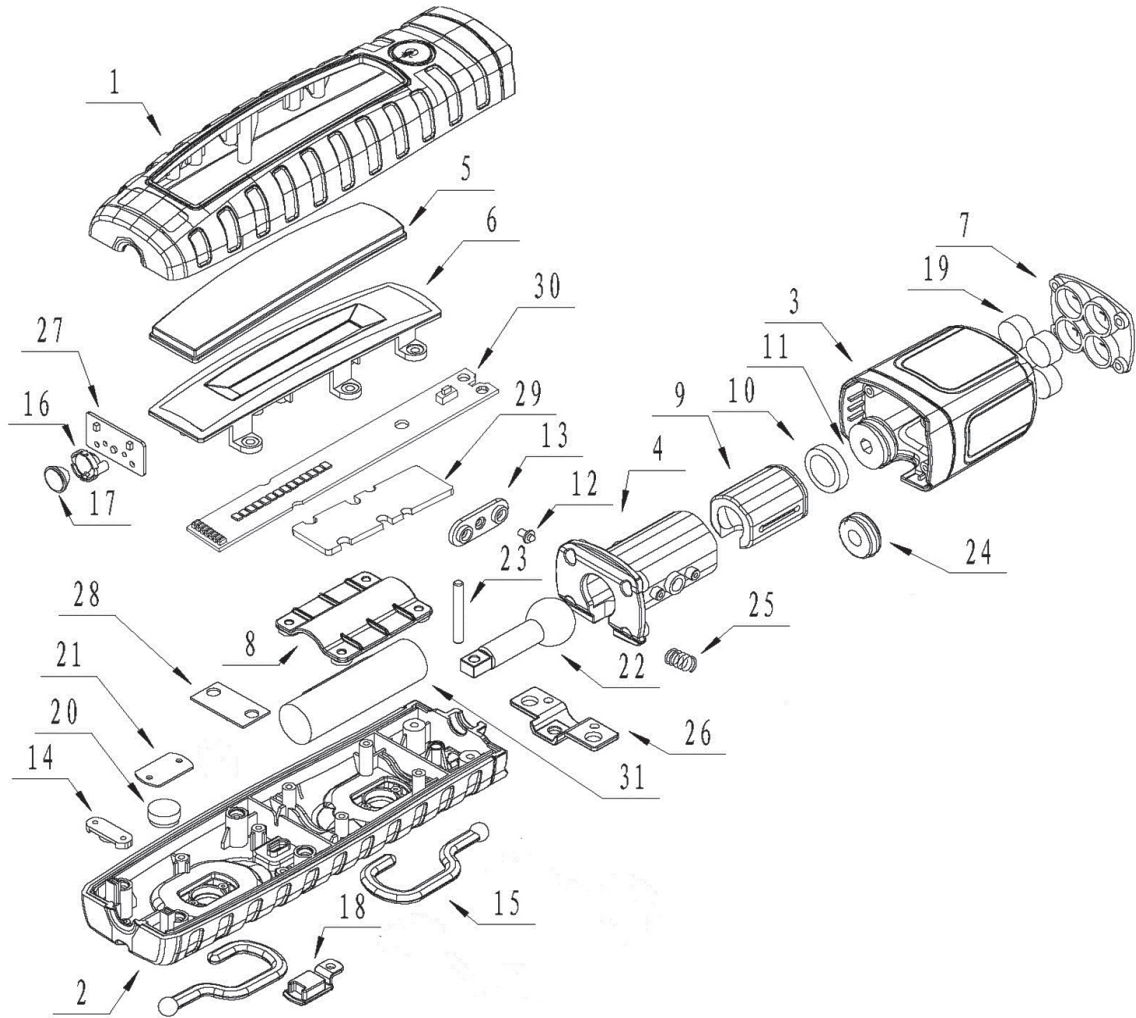


Parts Information:  
**Rechargeable 360° Inspection Lamp**  
**14 SMD LED + 3W LED Black Lithium-ion**  
**Model No: LED360.V5**



Item	Part No.	Description
1	LED360.V3-01	Front Housing 'Black'
2	LED360.V3-02	Back Housing 'Black'
3	LED360PLUS.03	Handle
4	LED360PLUS.04	Rotating Support (Large)
5	LED360.V2-07	Lens, Front
6	LED360V5.08	Plastic Reflector
7	LED360.V2-09	Bottom Cover
8	LED360.V3-08	Battery Cover
9	LED360.V2-14	Rotating Support (Upper)
10	LED360.V2-04	Ball Support (Lower)
11	LED360.V2-05	Ball Support (Upper)
12	LED360.V2-17	Pin
13	LED360.V2-16	Rotating Support
14	LED360.V2-10	Hook Support
15	LED360.V2-06	Hook, Top
16	LED360PLUS.15	Head Lens Solid Board

Item	Part No.	Description
17	LED360PLUS.16	Head LED Lens
18	LED360PLUS.18	Charger Socket Cover
19	LED360.V2-24	Bottom Magnet
20	LED360.V2-25	Back Housing Magnet
21	LED360.V2-19	Magnet Support
22	LED360.V2-20	Rotating Ball
23	LED360.V2-21	Rotating Ball Pin
24	LED360.V2-22	Wave Spring
25	LED360.V2-23	Spring
26	LED360PLUS.34	Pivot Board
27	LED360PLUS.30	Head LED
28	LED360.V3-28	USB Charging PCB
29	LED360V5.29	Cooling Board
30	LED360V5.30	14SMD PCB
31	LED3604.30	Battery 3.7v 2600mah
--	LED3602G.41	Micro USB with 5pin Cable ( <b>not shown</b> )

**NOTE:** It is our policy to continually improve products and as such we reserve the right to alter data, specifications and component parts without prior notice.

**IMPORTANT:** No liability is accepted for incorrect use of product.

**WARRANTY:** Guarantee is 12 months from purchase date, proof of which will be required for any claim.