

# SEALEY

## 20L WET & DRY VACUUM CLEANER 1250W

MODEL NO: PC200.V3

Thank you for purchasing a Sealey product. Manufactured to a high standard, this product will, if used according to these instructions, and properly maintained, give you years of trouble free performance.

**IMPORTANT:** PLEASE READ THESE INSTRUCTIONS CAREFULLY. NOTE THE SAFE OPERATIONAL REQUIREMENTS, WARNINGS & CAUTIONS. USE THE PRODUCT CORRECTLY AND WITH CARE FOR THE PURPOSE FOR WHICH IT IS INTENDED. FAILURE TO DO SO MAY CAUSE DAMAGE AND/OR PERSONAL INJURY AND WILL INVALIDATE THE WARRANTY. KEEP THESE INSTRUCTIONS SAFE FOR FUTURE USE.



Read before first use



Wear protective clothing



Wear protective gloves



Wear eye protection

### 1. SAFETY

#### 1.1. ELECTRICAL SAFETY

- **WARNING!** It is the user's responsibility to check the following:

Check all electrical equipment and appliances to ensure that they are safe before using. Inspect power supply leads, plugs and all electrical connections for wear and damage. Sealey recommend that an RCD (Residual Current Device) is used with all electrical products. You may obtain an RCD by contacting your local Sealey stockist.

If the product is used in the course of business duties, it must be maintained in a safe condition and routinely PAT (Portable Appliance Test) tested.

Electrical safety information, it is important that the following information is read and understood.

- 1.1.1. Ensure that the insulation on all cables and on the appliance is safe before connecting it to the power supply.
- 1.1.2. Regularly inspect power supply cables and plugs for wear or damage and check all connections to ensure that they are secure.
- 1.1.3. **Important:** Ensure that the voltage rating on the appliance suits the power supply to be used and that the plug is fitted with the correct fuse - see fuse rating in these instructions.

- × **DO NOT** pull or carry the appliance by the power cable.
- × **DO NOT** pull the plug from the socket by the cable. Remove the plug from the socket by maintaining a firm grip on the plug.
- × **DO NOT** use worn or damaged cables, plugs or connectors. Ensure that any faulty item is repaired or replaced immediately by a qualified electrician.

- 1.2. This product is fitted with a BS1363/A 13 Amp 3 pin plug.

If the cable or plug is damaged during use, switch the electricity supply and remove from use.

Replace a damaged plug with a BS1363/A 13 Amp 3 pin plug. If in doubt contact a qualified electrician.

Class II products are wired with live (brown) and neutral (blue) only are marked with the Class II symbol;

A) Connect the BROWN live wire to the live terminal 'L'.

B) Connect the BLUE neutral wire to the neutral terminal 'N'.

C) After wiring, check that there are no bare wires and ensure that all wires have been correctly connected.

Ensure that the cable outer sheath extends inside the cable restraint and that the restraint is tight.

- × **DO NOT** connect either wire to the earth terminal.

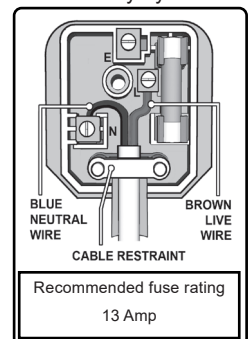
Sealey recommend that repairs are carried out by a qualified electrician.

- 1.2.1. If an extension reel is used it should be fully unwound before connection. A reel with an RCD fitted is preferred since any appliance plugged into it will be protected. The cable core section is important and should be at least 1.5mm<sup>2</sup> but to be absolutely sure that the capacity of the reel is suitable for this product and for others which may be used in the other output sockets, we recommend the use of 2.5mm<sup>2</sup> section cable.

#### 1.3. GENERAL SAFETY

- ✓ Disconnect the cleaner from the power supply before servicing, changing accessories, or performing any maintenance.
- ✓ Use only genuine parts and accessories. Unauthorised parts and accessories may be dangerous and will invalidate your warranty.
- ✓ Maintain the cleaner in good condition. Use an authorised agent for servicing. Keep machine clean, but DO NOT use solvents.
- ✓ For dry vacuuming ensure the cartridge filter is firmly in place before operating the cleaner.
- × **DO NOT** operate the unit without the cartridge filter in place (except when wet vacuuming). **Using the cleaner without a cartridge filter may cause damage to the vacuum cleaner and will invalidate your warranty.**
- ✓ Wear protective clothing and gloves.
- × **DO NOT** allow children or untrained persons to operate the cleaner.
- × **DO NOT** place attachments close to your face (especially eyes, ears, etc). Do not point the hose end at other persons or animals.
- ▲ **DANGER! DO NOT** vacuum hot or glowing ash, cigarette ends, inflammable, explosive, corrosive or other dangerous substances.
- × **DO NOT** operate the unit without the dust bag or optional cartridge filter (except when wet vacuuming).
- × **DO NOT** leave machine running unattended. Turn power supply OFF, and DO NOT leave the vicinity until motor has come to a complete stop.
- × **DO NOT** operate the cleaner while under the influence of drugs, alcohol or impairing medication, or if you are tired.
- × **DO NOT** use the cleaner in the rain or in very damp conditions.
- × **DO NOT** use the cleaner for a task it is not designed to perform.
- ✓ When not in use, store the cleaner in a safe, dry, childproof location.

**NOTE:** This appliance can be used by children aged from 8 years and above and persons with reduced physical, sensory or mental capabilities or lack of experience and knowledge if they have been given supervision or instruction concerning use of the appliance



in a safe way and understand the hazards involved. Children shall not play with the appliance. Cleaning and user maintenance shall not be made by children without supervision.

## 2. INTRODUCTION

High powered, lightweight unit with blower facility. Constructed from high impact plastic, the drum unit is mounted on two castor and two fixed wheels. Tool storage points on head and base. Supplied with 4m cable with 3-pin plug, tool kit, cartridge filter and wet-use foam filter.

## 3. SPECIFICATION

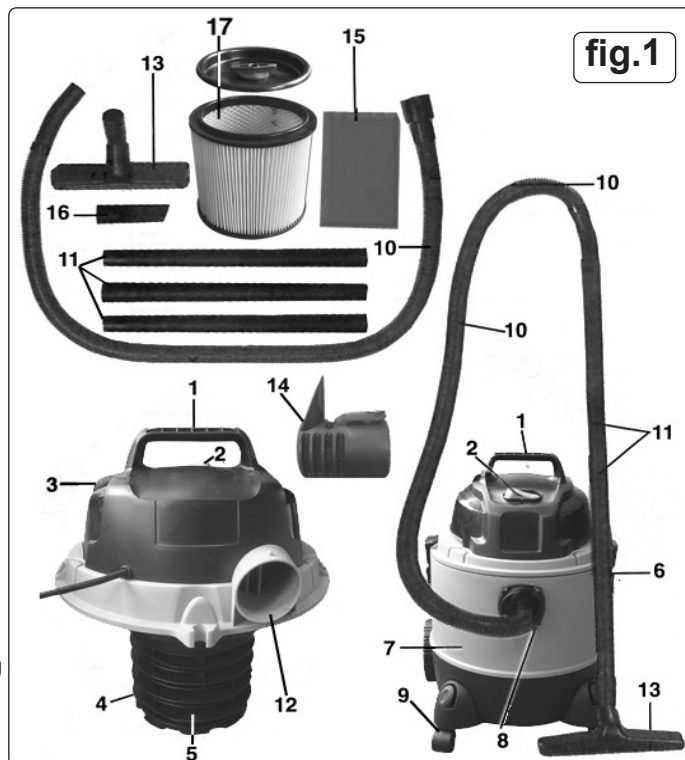
Model no .....	PC200.V3
Airflow .....	120m <sup>3</sup> /hr
Drum size .....	20L
Filter type .....	Cartridge
Max vacuum pressure .....	140mbar
Motor power .....	1250W
Optional accessories	
Dust bags (pack of 5) .....	PC200PB%
Replacement parts	
Cartridge filter .....	PC200CFL
Foam filters (pack of 10) .....	PC200FF10
Supply .....	230V
Vacuum accessories diameter .....	Ø35mm

## 4. CONTENTS

### 4.1. CARTON CONTENT

- 4.1.1. Carefully unpack the carton.
- 4.1.2. Locate the two side clasps (fig.1.6) which hold the top section (fig.1.3) in place.
- 4.1.3. Undo the clasps, remove the top section and take out the items in the container.
- 4.1.4. Check and identify each component as listed below. If anything is missing or damaged please contact your supplier immediately.

1 .....	Handle
2 .....	ON/OFF switch
3 .....	Top section
4 .....	Filter basket
5 .....	Safety float valve
6 .....	Clasp
7 .....	Container
8 .....	Vacuum hose connection
9 .....	Castors
10 .....	Vacuum hose

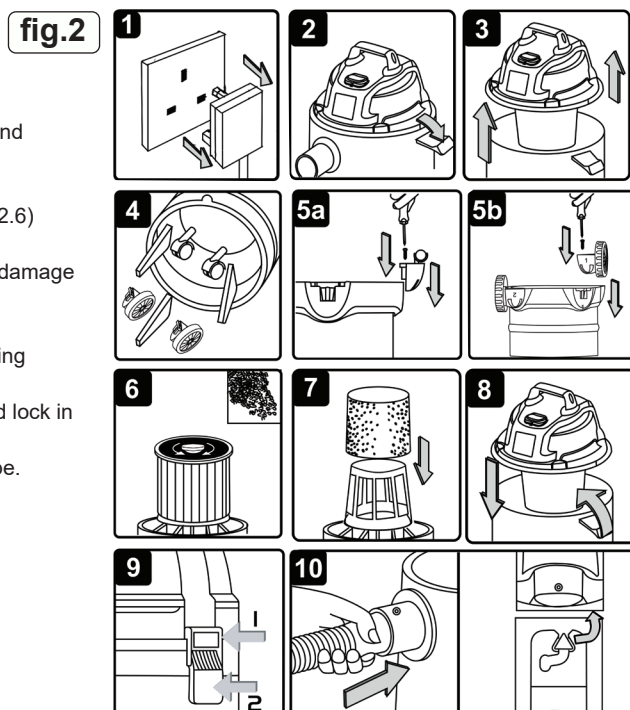


11 .....	Extension tube
12 .....	Blow connection
13 .....	Large vacuum nozzle
14 .....	Noise muffler
15 .....	Foamed plastic filter
16 .....	Crevice tool
17 .....	Locking Cartridge filter
	(Supplied)

## 5. ASSEMBLY

- 5.1. Ensure the mains plug is disconnected. (fig.2.1)
- 5.2. Undo clasps. (fig.2.2)
- 5.3. Lift off the top section assembly. (fig.2.3)
- 5.4. Remove contents from inside the container. (fig.2.4)
  - a) Turn the container upside down and insert the castor assemblies and secure with a screw. (fig.2.5a)
  - b) Insert the rear wheel assembly and secure with screw. (fig.2.5b)
- 5.5. For dry vacuum cleaning use the locking cartridge filter supplied. (fig.2.6)
- 5.6. For wet vacuum cleaning fit the supplied foam filter. (fig.2.7)

**NOTE: DO NOT** operate the cleaner without a filter fitted as this will damage the vacuum cleaner and invalidate your warranty.
- 5.7. Replace the top section onto the container. (fig.2.8)
- 5.8. Align up the top section with the clasps and snap into place, by applying pressure at the mid point of the clasps. (fig.2.9)
- 5.9. Insert the large end of the hose into the front inlet of the container and lock in place by turning clockwise a quarter turn. (fig.2.10)
- 5.10. Choose the desired nozzle and push it onto the telescopic suction tube.

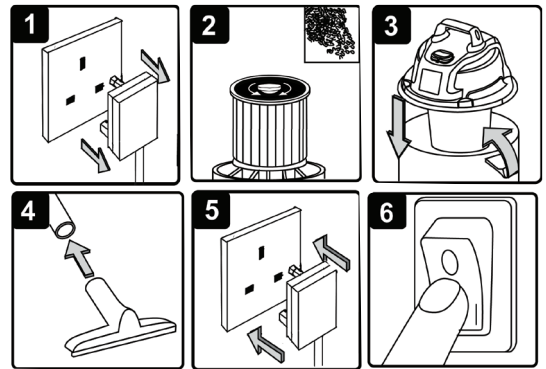


## 6. DRY VACUUM CLEANING

- ❑ **WARNING! Ensure you read, understand and apply Section 1 'Safety Instructions'.**  
**Reminder: DO NOT vacuum hazardous substances. Use of an incorrect cartridge filter will invalidate your warranty.**

- 6.1. Ensure the machine is unplugged from the power supply. (fig.3.1)
- 6.2. Remove the top section and with the raised rim uppermost fit the cartridge filter tube down over the filter basket and push fully home.
- 6.3. Place the locking disc onto the top of the filter and turn the locking bar until the latch drops into the slot in the top of the filter cage. Continue turning until the filter is fully locked down. (fig.3.2)
- 6.4. Reposition the head onto the drum body, and clip in place. (fig.3.3)
- 6.5. Insert the larger end of the flexible hose into the front inlet on the container and lock in place. Push the required attachment onto the free end of the hose. (fig.3.4)
- 6.6. Plug in the power supply. (fig.3.5)
- 6.7. Switch to the 'On' (position 'I'). (fig.3.6)
- 6.8. When you have completed vacuuming, press the switch to 'Off'.

fig.3

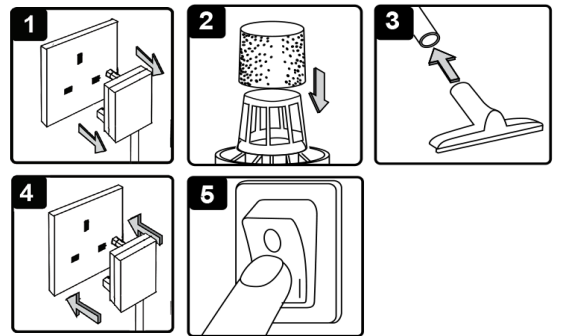


## 7. WET VACUUM CLEANING

- ❑ **WARNING! Ensure you read, understand and apply Section 1 'Safety Instructions'. Reminder: Remove plug from power supply before opening unit. DO NOT vacuum solvents, explosives, inflammable and/or hazardous liquids such as petrol, oil, spirits, paint, thinners, acids etc.**

- 7.8.1. Ensure the machine is unplugged from the power supply. (fig.4.1)
- 7.8.2. Make sure the tank is clean and free from dust and dirt.
- 7.8.3. Remove the cartridge filter and fit a foam filter over the filter basket (fig.4.2) Replace the top section onto the container.
- 7.8.4. Fit the desired nozzle to the flexible hose. (fig.4.3)
- 7.8.5. Ensure the switch is 'Off' (position '0') before plugging into the power supply.
- 7.8.6. Press the switch to 'On' (position 'I'). (fig.4.5)
- 7.8.7. To vacuum large quantities of liquid, from a sink or tank etc, do not immerse the nozzle completely in the liquid, leave a gap at the top of the nozzle opening to allow an air inflow. The machine is fitted with a float valve which stops the suction action when the tank has reached its maximum capacity.
- 7.8.8. The user will notice an increase in motor speed. When this happens, turn off the machine, disconnect from power supply, remove the head from the container and empty the liquid into a suitable receptacle or drain.
- 7.8.9. To continue vacuuming, refit the head and proceed. After wet vacuuming, turn the machine off and unplug from power supply. Empty the container, clean and dry the inside and outside before storage.

fig.4



- ❑ **WARNING! Not designed for liquid storage. Always empty liquids after use and before storing.**

## 8. BLOWING

- 8.1. Push the large end of the flexible hose into the blow connection in the top section. (fig.5.1)
- 8.2. Ensure the power switch is turned off (fig.5.2) and plug in the power supply (fig.5.3)
- 8.3. Switch on the power (position 'I'). (fig.5.4)
- 8.4. The unit will now blow through the hose and can be used to clear obstructions within the pipe. (fig.5.5)

- ❑ **WARNING! If after a few seconds the hose is still blocked turn off the unit and clear the hose manually.**

## 9. MAINTENANCE

### 9.1. GENERAL MAINTENANCE

- 9.1.1. Ensure the machine is unplugged from the power supply.
- 9.1.2. Disconnect the hose from the container.
- 9.1.3. Undo the clasps and remove motor head from the container.
- 9.1.4. Clear out any dirt or debris from the container and hose.
- 9.1.5. Clean the foam filter by washing it in a mild soapy solution.
- 9.1.6. Check the power cable to make sure that it is not damaged.

### 9.2. CARTRIDGE FILTER MAINTENANCE

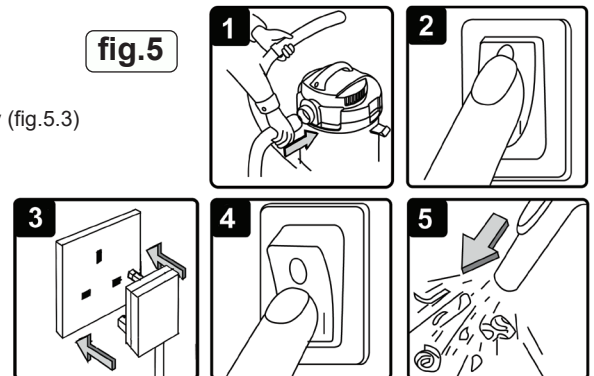
#### 9.2.1. Installing cartridge filter

- 9.2.1.1. Remove power head and place in upside down position.
- 9.2.1.2. Slide the cartridge down over the filter cage and carefully push the filter in until it stops against the power head. (figs 6.1, 6.2).
- 9.2.1.3. Place filter retainer on top of cartridge filter and tighten down by turning retainer handle clockwise.

#### 9.2.2. Removing and cleaning cartridge filter

- 9.2.2.1. Unlock and remove the filter retainer by turning retainer handle anticlockwise.

fig.5



- 9.2.2.2. Carefully hold and pull the cartridge filter up and remove. (fig.6.3).
- 9.2.2.3. Clean the cartridge filter by gently tapping or brushing dirt off. (fig.6.4).
- 9.2.2.4. Cleaning should not be performed in indoors, in living areas. For optimal performance a new filter is recommended.
- 9.2.2.5. Install cleaned or new filter as above.
- 9.2.2.6. Wet filters should be removed and allowed to air dry for 24 hours before installing onto the filter cage.

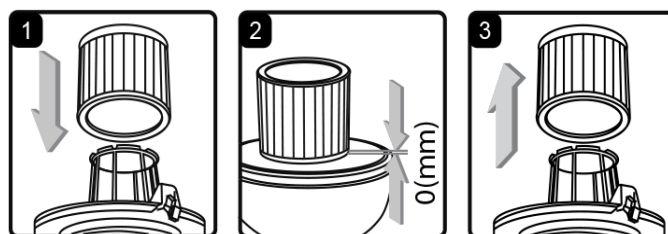


fig.6

### 9.2.3. FOAM FILTER MAINTENANCE

- 9.2.4. **Installing foam sleeve filter**
- 9.2.4.1. Remove power head and place in upside down position. Follow instructions to remove cartridge filter.
- 9.2.4.2. Carefully slide foam sleeve filter down over the filter cage making sure the whole cage is covered. (fig.7.1, 7.2).
- 9.2.5. **Cleaning foam sleeve filter**
- 9.2.5.1. With the removed power head in the upside down position, carefully remove the foam sleeve filter. (fig.7.3).
- 9.2.5.2. Use a mild soap and water solution to wash the foam sleeve filter and rinse with clean water. (fig.7.4).
- 9.2.5.3. Allow filter to air dry before installing and using again.

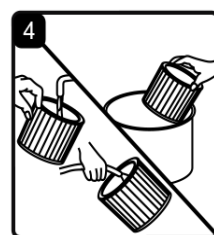


fig.7

## 10. TROUBLESHOOTING

Cleaner will not operate	No power supply Faulty power cable Container full of liquid	Check power supply Check and repair or replace faulty item Empty container
Dust comes from the motor cover	Cartridge filter missing or damaged	Fit or replace cartridge filter
Reduced efficiency and increased motor speed/vibration	Container full Filter clogged Nozzle, hose or container inlet blocked	

IMPORTANT! IF THE MACHINE IS USED WITHOUT A FILTER THIS MAY CAUSE DAMAGE TO THE MOTOR AND THE GUARANTEE WILL BE INVALIDATED. ALWAYS KEEP A SPARE FILTER HANDY.



### WEEE REGULATIONS

Dispose of this product at the end of its working life in compliance with the EU Directive on Waste Electrical and Electronic Equipment (WEEE). When the product is no longer required, it must be disposed of in an environmentally protective way. Contact your local solid waste authority for recycling information.



### ENVIRONMENT PROTECTION

Recycle unwanted materials instead of disposing of them as waste. All tools, accessories and packaging should be sorted, taken to a recycling centre and disposed of in a manner which is compatible with the environment. When the product becomes completely unserviceable and requires disposal, drain any fluids (if applicable) into approved containers and dispose of the product and fluids according to local regulations.

**Note:** It is our policy to continually improve products and as such we reserve the right to alter data, specifications and component parts without prior notice.

**Important:** No Liability is accepted for incorrect use of this product.

**Warranty:** Guarantee is 12 months from purchase date, proof of which is required for any claim.

Sealey Group, Kempson Way, Suffolk Business Park, Bury St Edmunds, Suffolk. IP32 7AR



01284 757500



01284 703534



sales@sealey.co.uk



www.sealey.co.uk