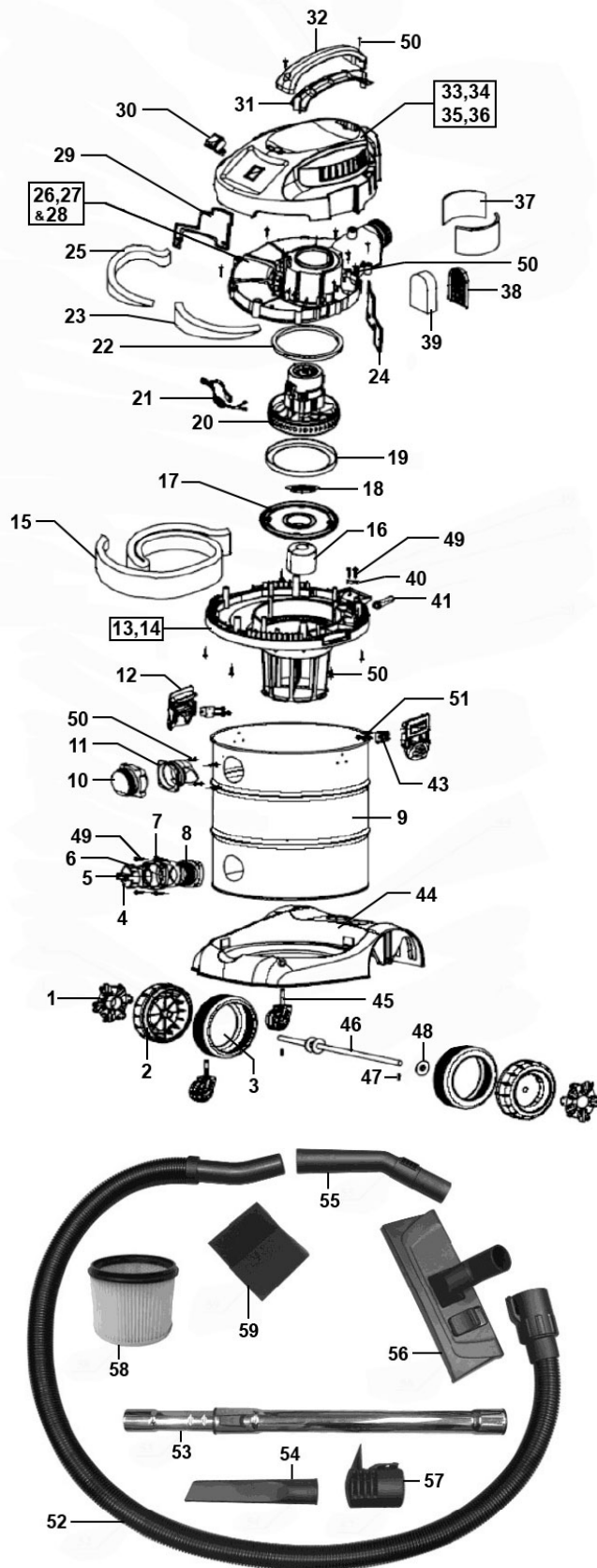




Parts Information:
Vacuum Cleaner Industrial 30L
1400W/230V Stainless Drum
Model No: PC300SD.V3



NOTE: It is our policy to continually improve products and as such we reserve the right to alter data, specifications and component parts without prior notice. There may be alternative versions of this product, please contact us should you require this information.

IMPORTANT: No liability is accepted for incorrect use of product. Spare parts must be fitted by a competent person

WARRANTY: Guarantee is 12 months from purchase date, proof of which will be required for any claim.

Sealey Group, Kempson Way, Suffolk Business Park, Bury St Edmunds, Suffolk. IP32 7AR



01284 757500



01284 703534



sales@sealey.co.uk



www.sealey.co.uk



Parts Information:
Vacuum Cleaner Industrial 30L
1400W/230V Stainless Drum
Model No: PC300SD.V3

Item	Part No.	Description
1	PC300SD.V3-01	Wheel Cover
2	PC300SD.V3-02	Wheel, Fixed Plastic (D:150 W:42 B:12)
3	PC300SD.V3-02	Wheel, Fixed Plastic (D:150 W:42 B:12)
4	PC300SD.V3-04	Waterspout Cover
5	PC300SD.V3-05	Seal Ring
6	PC300SD.V3-06	Waterspout
7	PC300SD.V3-07	Drain Inlet
8	PC300SD.V3-08	Waterspout Seat
9	PC300SD.V3-09	Tank
10	PC300SD.V3-10	Hose Inlet
11	PC300SD.V3-11	Hose Inlet Base
12	PC300SD.V3-12	Bin Clip
13	PC300SD.V3-13	Lower Cover
14	PC300SD.V3-14	Foam Ring
15	PC300.13	Silencer Foam
16	PC300SD.V3-16	Float
17	PC300SD.V3-17	Tray
18	PC300SD.V3-18	Plastic Fence
19	PC300SD.V3-19	Seal Ring
20	PC300SD.V3-20	Motor (Internal 230v 1400w)
21	PC300SD.V3-21	Capacitor & Inductance 250/275v 40cm
22	PC300SD.V3-22	Seal Ring
23	PC300SD.V3-23	Silencer Foam(31cm)
24	PC300SD.V3-24	Air Block Board
25	PC300SD.V3-25	Silencer Foam(42cm)
26	PC300SD.V3-26	Air Outlet
27	PC300SD.V3-27	Damping Bar
28	PC300SD.V3-28	Seal
29	PC300SD.V3-29	Air Block Board
30	PC300SD.V3-30	On/Off Rocker Switch, C/w Cover (16a/250v)
31	PC300SD.V3-31	Lower Handle
32	PC300SD.V3-32	Upper Handle
33	PC300SD.V3-33	Upper Cover

Item	Part No.	Description
34	PC300SD.V3-34	Silencer Foam
35	PC300SD.V3-35	Label
36	PC300SD.V3-36	Nameplate
37	PC300SD.V3-37	Silencer Foam
38	PC300SD.V3-38	Filter Cover
39	PC300SD.V3-39	Foam Filter
40	PC300SD.V3-40	Cord Clamp
41	PC300SD.V3-41	Cable Sleeve
43	PC300SD.V3-43	Hook Base
44	PC300SD.V3-44	Tank Base
45	PC300SD.V3-45	Wheel, Fixed Castor,Single Bolt (D:50 W:20 B:6 H:101)
46	PC300SD.V3-46	Wheel Shaft
47	PC300SD.V3-47	Clip
48	PC300SD.V3-48	Washer
49	PC300SD.V3-49	Screw (St2.9 x 12)
50	SG101.V2-27	Rd Head S/T Screw M3.8 X 14
51	PC300SD.V3-51	Rd Head S/T Screw M3.5 X 8
		ACCESSORIES
52	PC300SD.V3-52	Hose 1.5mm
53	PC300SD.V3-53	Telescopic Stainless Tube
54	PC300SD.V3-54	Crevice Tool
55	PC310.A05	Elbow Tool (Air Flow Regulator)
56	PC300SD.V3-56	Combo Brush
57	PC300SD.V3-57	Noise Diffuser Muffler
58	PC200CFL	Locking Cartridge Filter for PC200 & PC300 Series
59	PC200FF10	Foam Filter for PC200 & PC300 Series Pack of 10
--	PC200.14	Foam Filter (Single) (Not Shown)
--	PC300PB5	Dust Collection Bag for PC300 Series Pack of 5 (Not Shown)
--	PC200CFF	Cartridge Filter for Fine Dust for PC200 & PC300 Series (Not Shown)

NOTE: It is our policy to continually improve products and as such we reserve the right to alter data, specifications and component parts without prior notice. There may be alternative versions of this product, please contact us should you require this information.

IMPORTANT: No liability is accepted for incorrect use of product. Spare parts must be fitted by a competent person

WARRANTY: Guarantee is 12 months from purchase date, proof of which will be required for any claim.

Sealey Group, Kempson Way, Suffolk Business Park, Bury St Edmunds, Suffolk. IP32 7AR



01284 757500



01284 703534



sales@sealey.co.uk



www.sealey.co.uk