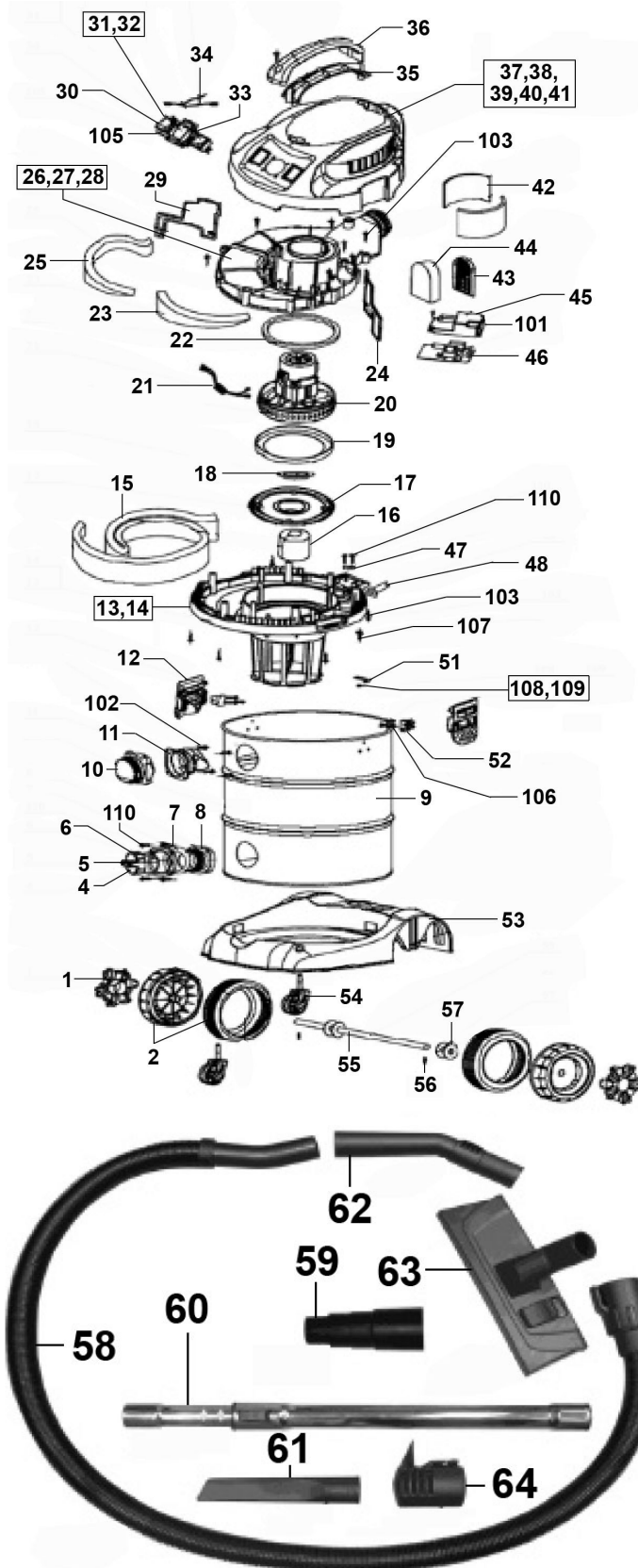




Parts Information:  
Vacuum Cleaner Industrial 30L  
1400W/230V Stainless Drum Auto Start  
Model No: PC300SDAUTO.V3



**NOTE:** It is our policy to continually improve products and as such we reserve the right to alter data, specifications and component parts without prior notice. There may be alternative versions of this product, please contact us should you require this information.

**IMPORTANT:** No liability is accepted for incorrect use of product. Spare parts must be fitted by a competent person

**WARRANTY:** Guarantee is 12 months from purchase date, proof of which will be required for any claim.

Sealey Group, Kempson Way, Suffolk Business Park, Bury St Edmunds, Suffolk. IP32 7AR



01284 757500



01284 703534



sales@sealey.co.uk



www.sealey.co.uk



Parts Information:  
**Vacuum Cleaner Industrial 30L**  
**1400W/230V Stainless Drum Auto Start**  
**Model No: PC300SDAUTO.V3**

Item	Part No.	Description
1	PC300SD.V3-01	Wheel Cover
2	PC300SD.V3-02	Wheel, Fixed Plastic (D:150 W:42 B:12)
4	PC300SD.V3-04	Waterspout Cover
5	PC300SD.V3-05	Seal Ring
6	PC300SD.V3-06	Waterspout
7	PC300SD.V3-07	Drain Inlet
8	PC300SD.V3-08	Waterspout Seat
9	PC300SD.V3-09	Tank
10	PC300SD.V3-10	Hose Inlet
11	PC300SD.V3-11	Hose Inlet Base
12	PC300SD.V3-12	Bin Clip
13	PC300SD.V3-13	Lower Cover
14	PC300SD.V3-14	Foam Ring
15	PC300.13	Silencer Foam
16	PC300SD.V3-16	Float
17	PC300SD.V3-17	Tray
18	PC300SD.V3-18	Plastic Fence
19	PC300SD.V3-19	Seal Ring
20	PC300SDAV3.20	Motor (Internal 230v 1400w)
21	PC300SDAV3.21	Capacitor & Inductance
22	PC300SD.V3-22	Seal Ring
23	PC300SD.V3-23	Silencer Foam(31cm)
24	PC300SD.V3-24	Air Block Board
25	PC300SD.V3-25	Silencer Foam(42cm)
26	PC300SD.V3-26	Air Outlet
27	PC300SD.V3-27	Damping Bar
28	PC300SD.V3-28	Seal
29	PC300SD.V3-29	Air Block Board
30	PC300SD.V3-30	On/Off Rocker Switch, C/w Cover (16a/250v)
31	PC300SDAV3.31	Socket
32	PC300SDAV3.32	Socket Cover
33	PC300SDAV3.33	Switch, On/Off Rocker C/w Cover 12a/250v
34	PC300SDAV3.34	Cord
35	PC300SD.V3-31	Lower Handle
36	PC300SD.V3-32	Upper Handle
37	PC300SD.V3-33	Upper Cover
38	PC300SD.V3-34	Silencer Foam

Item	Part No.	Description
39	PC300SDAV3.39	Label
40	PC300SDAV3.40	Label
41	PC300SDAV3.41	Nameplate
42	PC300SD.V3-37	Silencer Foam
43	PC300SD.V3-38	Filter Cover
44	PC300SD.V3-39	Foam Filter
45	PC300SDAV3.45	Waterproof Cover
46	PC300SDAV3.46	PCB
47	PC300SD.V3-40	Cord Clamp
48	PC300SDAV3.48	Cable Sleeve
51	PC300SDAV3.51	Earth Plate
52	PC300SD.V3-43	Hook Base
53	PC300SD.V3-44	Tank Base
54	PC300SD.V3-45	Wheel, Fixed Castor,Single Bolt (D:50 W:20 B:6 H:101)
55	PC300SD.V3-46	Wheel Shaft
56	PC300SD.V3-47	R-Clip
57	PC300SD.V3-48	Washer
101	PC300SDAV3101	Rd Head S/T Screw M2.9 X 12
102	PC300SDAV3102	Rd Head S/T Screw M4 X 14
103	PC300SDAV3103	Rd Head S/T Screw M4 X 16
105	PC300SDAV3105	Screw S/T 4.2 x 14
106	PC300SDAV3106	Rd Head S/T Screw M4 X 8
107	MSP410.S	Machine Screw Pan Head Phillips M4 X 10mm
108	SN4.S	Steel Nut M4 Zinc
109	FWM12.SB	Flat Washer M12 Black
110	S0686.V2-25	Rd Head S/T Screw M3.9 X 16
--	PC200CFF	Cartridge Filter for Fine Dust for PC200 & PC300 Series (Not Shown)
		<b>ACCESSORIES</b>
58	PC300SDAV3.58	Hose 3m
59	PC300SDAV3.59	Adaptor
60	PC300SD.V3-53	Telescopic Stainless Tube
61	PC300SD.V3-54	Crevice Tool
62	PC310.A05	Elbow Tool (Air Flow Regulator)
63	PC300SD.V3-56	Combo Brush
64	PC300SD.V3-57	Noise Diffuser Muffler

**NOTE:** It is our policy to continually improve products and as such we reserve the right to alter data, specifications and component parts without prior notice. There may be alternative versions of this product, please contact us should you require this information.

**IMPORTANT:** No liability is accepted for incorrect use of product. Spare parts must be fitted by a competent person

**WARRANTY:** Guarantee is 12 months from purchase date, proof of which will be required for any claim.

**Sealey Group**, Kempson Way, Suffolk Business Park, Bury St Edmunds, Suffolk. IP32 7AR



01284 757500



01284 703534



sales@sealey.co.uk



www.sealey.co.uk