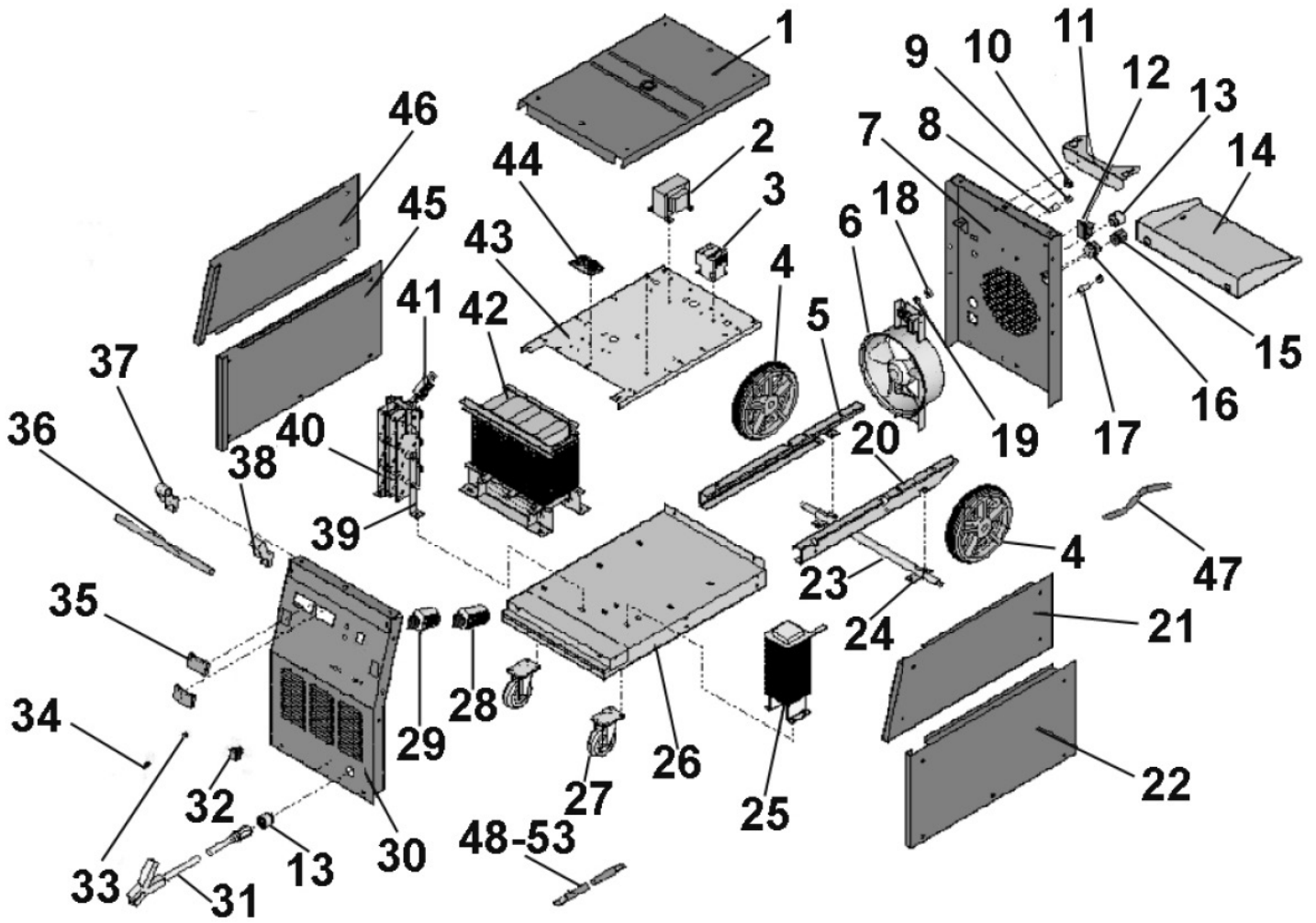




Parts Information:
Professional MIG Welder 250A 415V 3ph
with Binzel® Euro Torch & Portable Wire
Drive
Model No: POWERMIG6025S



NOTE: It is our policy to continually improve products and as such we reserve the right to alter data, specifications and component parts without prior notice. There may be alternative versions of this product, please contact us should you require this information.

IMPORTANT: No liability is accepted for incorrect use of product. Spare parts must be fitted by a competent person

WARRANTY: Guarantee is 12 months from purchase date, proof of which will be required for any claim.

Sealey Group, Kempson Way, Suffolk Business Park, Bury St Edmunds, Suffolk. IP32 7AR



01284 757500



01284 703534



sales@sealey.co.uk



www.sealey.co.uk



Parts Information:
**Professional MIG Welder 250A 415V 3ph
with Binzel® Euro Torch & Portable Wire
Drive
Model No: POWERMIG6025S**

Item	Part No.	Description
1	PMIG6025S.01	Top Cover
2	PMIG6035S.02	Control Transformer
3	PMIG6025S.03	AC Contactor
4	PMIG6035S.04	Wheel, Fixed Rubber (W/Bearing)(D:250 W:65 B:20)
5	PMIG6025S.05	Left Side, Support
6	PMIG6035S.06	Fan
7	PMIG6025S.07	Back Panels
8	PMIG6025S.08	Fuse 8a
9	PMIG6025S.09	Fuse Holder
10	PMIG6035S.10	Socket
11	PMIG6025S.11	Gas Cylinder Support
12	PMIG6035S.12	Hook
13	PMIG3530.25	Quick Socket 'Euro Type'
14	PMIG6025S.14	Gas Cylinder Bracket
15	PMIG6025S.15	Cable Gland
16	PMIG6035S.16	Dinse Socket
17	PMIG6025S.17	Fuse 3a
18	PMIG6025S.18	Pink Grommet
19	PMIG6025S.19	Pink Grommet
20	PMIG6025S.20	Right Side, Support
21	PMIG6025S.21	Upper Panel, Right Side
22	PMIG6025S.22	Lower Panel, Right Side
23	PMIG6025S.23	Wheel Axle: Solid, Stepped, Male Fittings (L:590mm D:25mm)
24	PMIG6035S.24	Wheel Axle Mounting Plate
25	PMIG6025S.25	Reactance
26	PMIG6025S.26	Bottom Panel

Item	Part No.	Description
27	PMIG6035S.27	Wheel, Swivel Castor, 4 Bolt (D:100 W:32 B:12 H:125)
28	PMIG6035S.28	Universal Selector (1-10)
29	PMIG6025S.29	Universal selector (A/B)
30	PMIG6025S.30	Front panel
31	PMIG6025S.31	Earth Cable
32	PMIG6035S.33	Switch, On/Off Green Rocker C/w Cover (16a - 250V)
33	PMIG6035S.35	Indicator Light (Green)
34	PMIG6035S.36	Indicator Light (Yellow)
35	PMIG3530.22	Digit ammeter
36	PMIG6025S.36	Handle
37	PMIG3530.37	Handle Support, Left
38	PMIG3530.35	Handle Support, Right
39	PMIG6035S.30	Rectifier Support
40	PMIG6025S.40	Rectifier
41	PMIG6025S.41	Shunt
42	PMIG6025S.42	Transformer
43	PMIG6025S.43	Mounting Panel
44	PMIG6025S.44	Digital Display Board
45	PMIG6025S.45	Lower Panel, Left Side
46	PMIG6025S.46	Upper Panel, Left Side
47	MC4CX2.5	Mains Cable Blk,4 Core,2.5mm2
48	PMIG6025S.48	Connect Cable (A)
49	PMIG6025S.49	Connect Cable (B)
50	PMIG6025S.50	Connect Cable (C)
51	PMIG6025S.51	Connect Cable (D)
52	PMIG6025S.52	Connect Cable (E)
53	PMIG6025S.53	Connect cable (F)

NOTE: It is our policy to continually improve products and as such we reserve the right to alter data, specifications and component parts without prior notice. There may be alternative versions of this product, please contact us should you require this information.

IMPORTANT: No liability is accepted for incorrect use of product. Spare parts must be fitted by a competent person

WARRANTY: Guarantee is 12 months from purchase date, proof of which will be required for any claim.

Sealey Group, Kempson Way, Suffolk Business Park, Bury St Edmunds, Suffolk. IP32 7AR



01284 757500



01284 703534



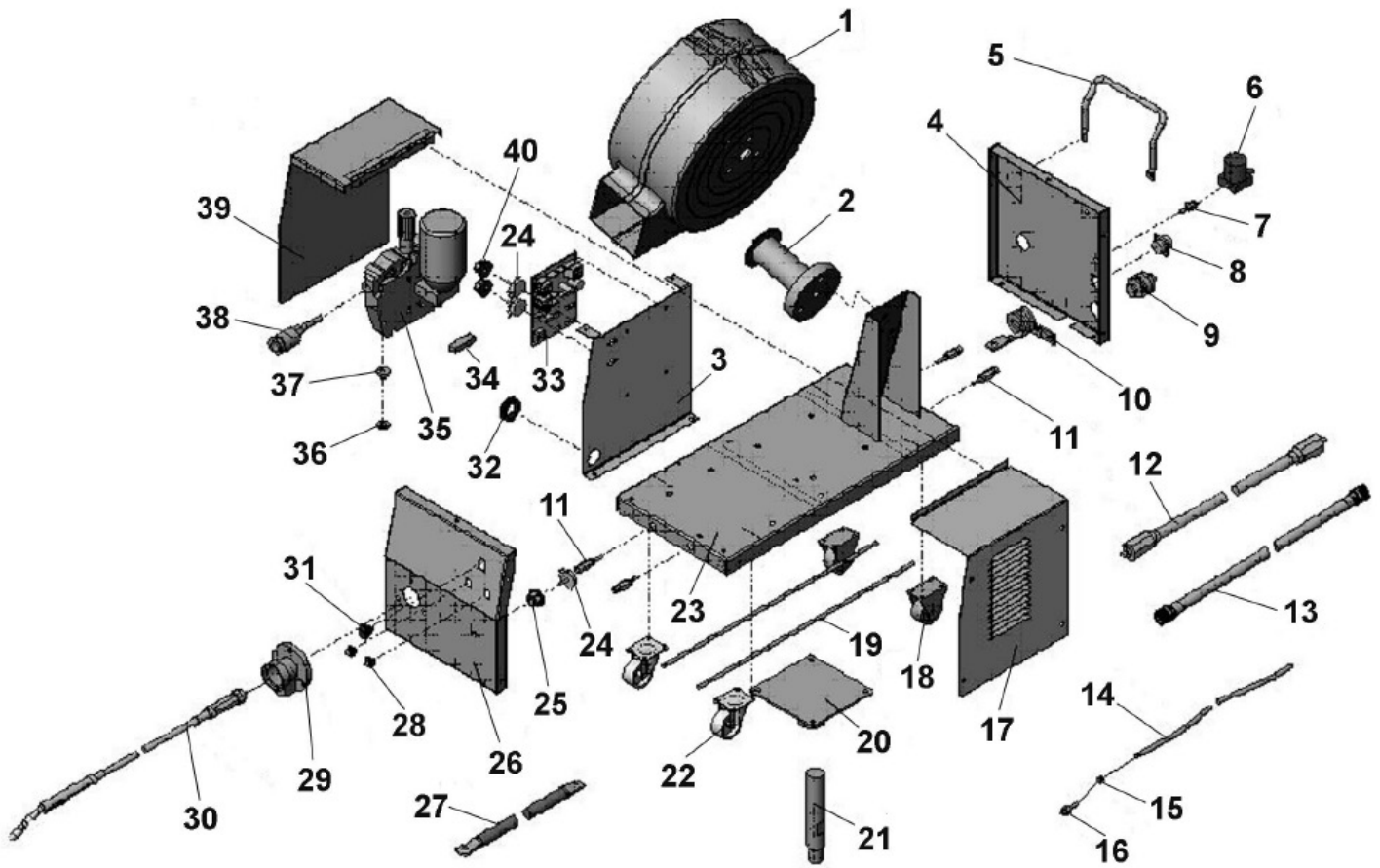
sales@sealey.co.uk



www.sealey.co.uk



Parts Information:
Professional MIG Welder 250A 415V 3ph
with Binzel® Euro Torch & Portable Wire Drive
Model No: POWERMIG6025S



NOTE: It is our policy to continually improve products and as such we reserve the right to alter data, specifications and component parts without prior notice. There may be alternative versions of this product, please contact us should you require this information.

IMPORTANT: No liability is accepted for incorrect use of product. Spare parts must be fitted by a competent person

WARRANTY: Guarantee is 12 months from purchase date, proof of which will be required for any claim.

Sealey Group, Kempson Way, Suffolk Business Park, Bury St Edmunds, Suffolk. IP32 7AR



01284 757500



01284 703534



sales@sealey.co.uk



www.sealey.co.uk



Parts Information:
**Professional MIG Welder 250A 415V 3ph
 with Binzel® Euro Torch & Portable Wire
 Drive**
Model No: POWERMIG6025S

Item	Part No.	Description
1	PMIG6035S.W01	Wire Feed Cover
2	PMIG6035S.W02	Wire Feed Holder
3	PMIG6035S.W03	Middle Panel
4	PMIG6035S.W04	Back Panel
5	PMIG6035S.W05	Handle
6	PMIG6035S.W06	Electro-Valve
7	PMIG6035S.W07	Gas Connector
8	PMIG6035S.W08	Socket
9	PMIG6035S.W09	Quick Socket "Euro Type"
10	PMIG6035S.W10	Valve Assembly
11	PMIG6035S.W11	Quick Connector
12	PMIG6035S.W12	Welding Cable(40mm sq x 5m)
13	PMIG6035S.W13	Clamp Cable 5m
14	PMIG6035S.W14	Gas Hose
15	PMIG6035S.W15	Hose Clamp
16	PMIG6035S.W16	Quick Connection
17	PMIG6035S.W17	Side Panel, Right
18	PMIG6035S.W18	Wheel, Rear Fixed Castor, 4 Bolt (D:50 W:22 B:6 H:65)
19	PMIG6035S.W19	Gas Hose (PVC)
20	PMIG6035S.W20	Support Plate Shaft
21	PMIG6035S.W21	Support Plate Shaft
22	PMIG6035S.W22	Wheel, Front Swivel Castor, 4 Bolt (D:50 W:22 B:6 H:65)

Item	Part No.	Description
23	PMIG6035S.W23	Bottom Panel
24	SMIG180.V3-06	Potentiometer
25	PMIG6035S.W25	Potentiometer Knob
26	PMIG6035S.W26	Front Panel
27	PMIG6035S.W27	Connection Cable
28	PMIG6035S.W28	switch, Red Press Button (1A - 125V)
29	PMIG6035S.W29	Torch Connection
30	M/MIG250.77	Mig Torch 3mtr Euro Connector Binzel TB25
31	PMIG6035S.W31	Switch, On/Off Black Rocker (10A - 250V)
32	PMIG6035S.W32	Washer
33	PMIG6035S.W33	Control PCB
34	PMIG6035S.W34	Panel Lock
35	PMIG6035S.W35	Motor (Internal 90w)
36	PMIG6035S.W36	Bushing
37	PMIG6035S.W37	Washer
38	PMIG6035S.W38	Central Socket
39	PMIG6035S.W39	Side Panel, Left
40	PMIG3530.30	Potentiometer Knob
--	MIG920	Contact Tip 1.6mm TB25/36 Pack of 5 (Not Shown)
--	MIG923	Contact Tip 1.6mm Aluminium TB25/36 Pack of 5 (Not Shown)
--	MC4CX2.5	Mains cable blk,4 core,2.5mm2 (Not Shown)
--	MIG/T25	MIG Torch 3m Euro Connector MB25 (Not Shown)

NOTE: It is our policy to continually improve products and as such we reserve the right to alter data, specifications and component parts without prior notice. There may be alternative versions of this product, please contact us should you require this information.

IMPORTANT: No liability is accepted for incorrect use of product. Spare parts must be fitted by a competent person

WARRANTY: Guarantee is 12 months from purchase date, proof of which will be required for any claim.

Sealey Group, Kempson Way, Suffolk Business Park, Bury St Edmunds, Suffolk. IP32 7AR



01284 757500



01284 703534



sales@sealey.co.uk



www.sealey.co.uk