



# CABINET BOX TURNTABLE

MODEL NO: **APTT**

Thank you for purchasing a Sealey product. Manufactured to a high standard, this product will, if used according to these instructions, and properly maintained, give you years of trouble free performance.

**IMPORTANT:** PLEASE READ THESE INSTRUCTIONS CAREFULLY. NOTE THE SAFE OPERATIONAL REQUIREMENTS, WARNINGS & CAUTIONS. USE THE PRODUCT CORRECTLY AND WITH CARE FOR THE PURPOSE FOR WHICH IT IS INTENDED. FAILURE TO DO SO MAY CAUSE DAMAGE AND/OR PERSONAL INJURY AND WILL INVALIDATE THE WARRANTY. KEEP THESE INSTRUCTIONS SAFE FOR FUTURE USE.



Refer to instruction manual



Wear protective gloves

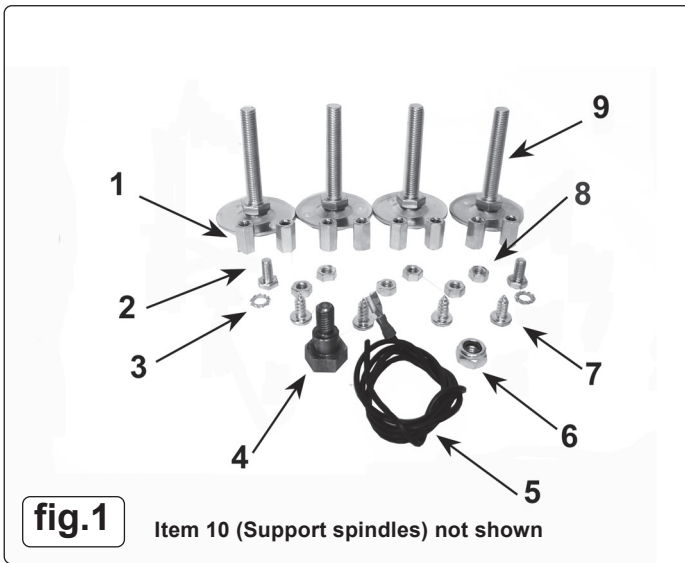
## 1. SAFETY

- WARNING!** Ensure Health & Safety, and local authority regulations are adhered to when assembling and using this item.
- ✓ Locate item in a suitable area where it will not be an obstruction.
- ✓ Keep the general area clean, uncluttered and ensure there is adequate lighting.
- WARNING!** Erect item on level and solid surface such as a work bench (4 cabinet arrangement) or floor (8/12 cabinet arrangement).
- ✗ **DO NOT** use the item for any purpose other than that for which it is are designed.
- ✓ Ensure that the item is properly and securely assembled before loading cabinet boxes.
- ✓ Items (mass) should be evenly distributed throughout the cabinets.

## 2. INTRODUCTION

Free standing turntable for use with Model No's APDC08, APDC24 & APDC48. Can support a total of 12 cabinet boxes, 3 on each side.

## 3. CONTENTS



Item no:	Description	Qty.	Item no:	Description	Qty.
1	Hex. spacer	8	6	M10 Lock nut	1
2	M6 Hex Hd bolt	2	7	Self tapping screw	4
3	M6 Lock washer	2	8	M6 Hex nut	6
4	Spigot	1	9	Feet	4
5	Earth cable	1	10	Support spindle	6

- 3.1. Carefully unpack the product and check the contents against the list below. Should any items be missing or damaged make immediate contact with your Sealey stockist.

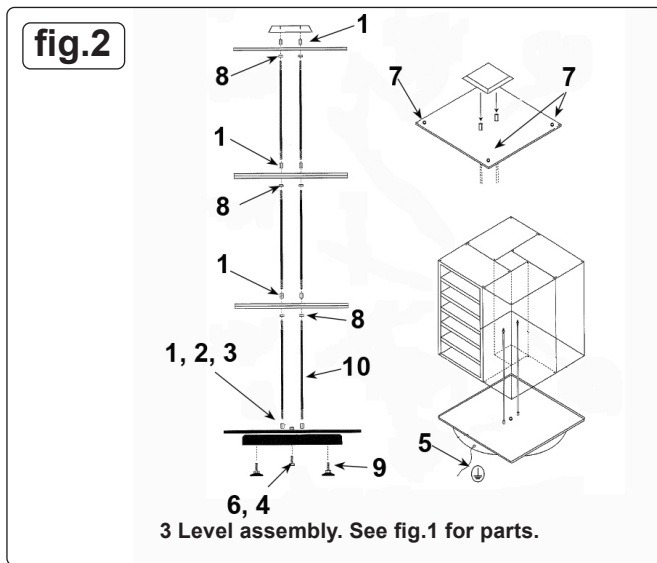
## 4. ASSEMBLY

### 4.1. Building single level turntable (fig.1, fig.3)

- 4.1.1. Pass bolt (item 2) through from underside of lowermost rectangular baseplate to top surface with lock washer (item 3) under its head. Screw spacer (item 1) down onto protruding thread. Repeat for both supports.
  - 4.1.2. Place baseplate (from 4.2.1) onto the circular platter and while supporting it pass spigot (item 4) through from the underside of the platter to the top side of the rectangular base plate. Fix in place using locknut (item 6). Check that the baseplate rotates freely on the circular platter.
  - 4.1.3. Screw spindles (item 10) into top of spacers (item 1).
  - 4.1.4. Screw hex. nuts (item 8) to the top of each spindle, pass each spindle through the single skin rectangular plate. Fix in place using spacer (item 1). Press plastic top plate onto spacers.
- 4.2. Building two or three level turntable (fig.1, fig.3)**
- 4.2.1. Repeat 4.2.3 , 4.2.4 using double skin rectangular plates with the single skin rectangular plate assembled on top.
  - 4.3. Check all fixings are secure and the assembly is well balanced. Refer to Safety section.
  - 4.4. When assembling cabinets into frame use self tapping screws (item 7) to hold cabinets (fig.2). Ensure well balanced distribution of load.

## 5. MAINTENANCE

- 5.1. Regularly check that all fixings are secure and that the arrangement is stable.



Parts support is available for this product. Please log on to [www.sealey.co.uk](http://www.sealey.co.uk), email [sales@sealey.co.uk](mailto:sales@sealey.co.uk) or telephone 01284 757500



### ENVIRONMENT PROTECTION

Recycle unwanted materials instead of disposing of them as waste. All tools, accessories and packaging should be sorted, taken to a recycling centre and disposed of in a manner which is compatible with the environment. When the product becomes completely unserviceable and requires disposal, drain any fluids (if applicable) into approved containers and dispose of the product and fluids according to local regulations.

**Note:** It is our policy to continually improve products and as such we reserve the right to alter data, specifications and component parts without prior notice.

**Important:** No Liability is accepted for incorrect use of this product.

**Warranty:** Guarantee is 12 months from purchase date, proof of which is required for any claim.

Sealey Group, Kempson Way, Suffolk Business Park, Bury St Edmunds, Suffolk. IP32 7AR



01284 757500



01284 703534



[sales@sealey.co.uk](mailto:sales@sealey.co.uk)



[www.sealey.co.uk](http://www.sealey.co.uk)