



# 20V OSCILLATING MULTI-TOOL - BODY ONLY

MODEL NO: CP20VMT

Thank you for purchasing a Sealey product. Manufactured to a high standard, this product will, if used according to these instructions, and properly maintained, give you years of trouble free performance.

**IMPORTANT:** PLEASE READ THESE INSTRUCTIONS CAREFULLY. NOTE THE SAFE OPERATIONAL REQUIREMENTS, WARNINGS & CAUTIONS. USE THE PRODUCT CORRECTLY AND WITH CARE FOR THE PURPOSE FOR WHICH IT IS INTENDED. FAILURE TO DO SO MAY CAUSE DAMAGE AND/OR PERSONAL INJURY AND WILL INVALIDATE THE WARRANTY. KEEP THESE INSTRUCTIONS SAFE FOR FUTURE USE.



Refer to instruction manual



Wear eye protection



Wear a mask



Wear ear protection



Wear protective gloves

## 1. SAFETY

### 1.1. GENERAL SAFETY

- WARNING!** Disconnect the multi-tool from the battery unit before changing accessories, servicing, storing or performing any maintenance.
- ✓ Maintain the multi-tool and battery in good condition. Check moving parts alignment on a regular basis.
- ✓ Replace or repair damaged parts. Use an authorised service agent and recommended parts only. Unauthorised parts may be dangerous and will invalidate the warranty.
- ✓ Ensure the multi-tool is switched off before installing the battery pack or picking up the tool.
- ✓ Remove any adjusting key or wrench before turning the tool on.
- ✓ Keep the multi-tool and charger clean for best and safest performance.
- ✓ Keep working area well lit.
- ✓ Remove ill fitting clothing. Remove ties, watches, rings and other loose jewellery and contain long hair.
- ✓ Evaluate your working area before using the multi-tool e.g. ceilings, floors and enclosures may contain electrical items or water piping.
- ✓ Ensure battery pack is correctly inserted into the tool handle and latched in place before attempting to switch it on.
- ✓ Secure loose work pieces with a clamp, vice or other adequate holding device.
- ✓ Avoid unintentional starting.
- ✓ Wear approved safety eye and ear protection (standard spectacles are not adequate). Wear a mask.
- ✗ **DO NOT** over reach. Maintain correct balance and footing. Ensure the floor is not slippery and wear non-skid shoes.
- ✗ **DO NOT** let familiarity from frequent use of tool allow you to become complacent and ignore tool safety principles.
- ✓ Keep children and unauthorised persons away from the working area.
- ✓ Keep tool and charger in the case and store in a safe, dry, childproof area where the temperature will not exceed 104°F (40°C).
- ✗ **DO NOT** use the tool where there are flammable liquids, solids or gases, such as paint solvents, etc.
- ✗ **DO NOT** allow children to operate the tool. **DO NOT** allow persons unfamiliar with the tool or these instructions to operate the tool.
- ✗ **DO NOT** operate the tool if any parts are missing as this may cause failure and/or personal injury.
- ✗ **DO NOT** hold unsecured work piece in your hand.
- ✗ **DO NOT** leave the tool operating unattended.
- ✗ **DO NOT** carry the tool with your finger on the power switch.
- ✗ **DO NOT** use the tool for a task it is not designed to perform.
- ✗ **DO NOT** force the tool. Use the correct tool for your application. The correct power tool will do the job better and safer and at the rate for which it was designed.
- ✓ Use the power tool in accordance with these instructions, taking into account the working conditions and the work to be performed. Use of the tool for operations different from those intended could result in a hazardous situation.
- ✓ Keep handles and grasping surfaces dry, clean and free from oil and grease. Slippery handles and grasping surfaces do not allow for safe handling and control of the tool in unexpected situations.
- ✗ **DO NOT** use the tool if the switch does not turn it off and on. Any power tool that cannot be controlled with the switch is dangerous and must be repaired.
- ✗ **DO NOT** operate the tool when you are tired or under the influence of alcohol, drugs or intoxicating medication.
- ✗ **DO NOT** get the tool or battery charger wet or use in damp or wet locations.

## 2. INTRODUCTION

Durable composite housing with soft grip for added comfort. One tool suitable for multiple tasks such as sanding, scraping and cutting various material. Built-in LED work light. Quick blade change system. Includes sanding paper, backing pad, plunge saw blade, segment saw blade and scraper. 6-Speed settings. Requires compatible 20V battery and mains charger, sold separately.

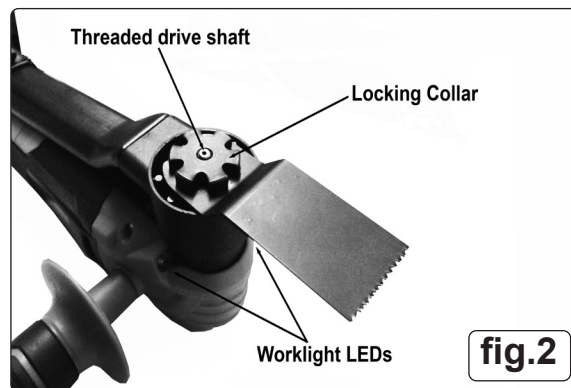
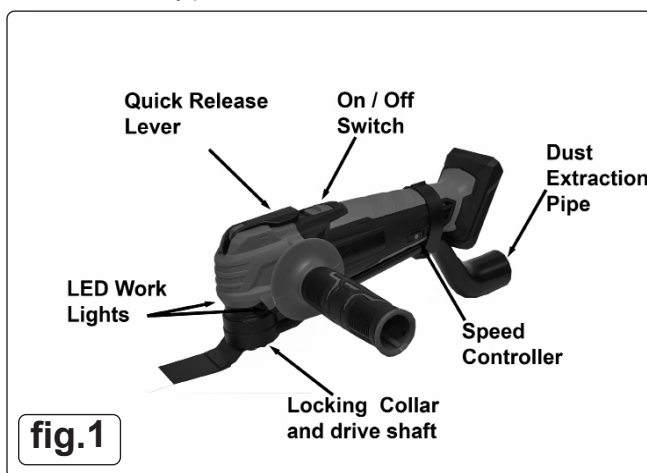
## 3. SPECIFICATION

Model No: .....CP20VMT  
 No Load Speed: ..... 5000 - 20000 RPM  
 Noise Power..... 108dB  
 Noise Pressure .....97dB  
 Vibration..... 15.258m/s<sup>2</sup>  
 Uncertainty..... 1.5m/s<sup>2</sup>  
 Battery: ..... 20V 2Ah - 6Ah Lithium-ion (not included)

Consumable parts	
CP20VBP2 - 2Ah Battery, CP20VBP4 - 4Ah Battery, CP20VBP6 - 6Ah Battery	
Replacement parts	
Mains charger .....	CP20VMC
Accessories:	
Sanding Pads .....	CP20VMT.28
Backing Pad.....	CP20VMT.29
Scraper .....	CP20VMT.30
Segment Saw Blade.....	CP20VMT.31
Plunge Saw Blade.....	CP20VMT.32

## 4. OPERATION

- **WARNING:** Remove battery before fitting tool or maintenance is carried out.
- 4.1. To remove the battery from the equipment, depress the spring loaded button on the battery pack. Remove the battery pack by sliding out. **DO NOT** touch the metal battery terminals.
- 4.2. **USING THE TOOL (FIG.1)**
- 4.2.1. Ensure that you have read, understood and comply with all the safety instructions in Section 1.
- 4.2.2. Remove battery from tool. Depress tab on front face of battery and slide battery off the tool.
- 4.2.3. To fit the required accessory tool bit lift the quick release handle (fig.1).
- 4.2.4. Unscrew the locking collar from the drive shaft (fig.2).
- 4.2.5. Locate the accessory tool onto the drive shaft spigots and refit locking collar until tight.
- 4.2.6. Close quick release handle and confirm firm attachment of accessory tool.
- 4.2.7. Slide dust extraction device sleeve over extraction pipe (fig.1). (Extraction device not supplied).
- 4.2.8. Refit battery and, ensuring that the speed controller is set to speed 1 (fig.1), slide the On/Off switch to On position.
- 4.2.9. Select appropriate tool speed for the task in hand.
- 4.2.10. When finished, remove the tool bit, clean the tool and tool bit and replace in its case. Empty dust extraction bag in appropriate manner.
- 4.2.11. Store in a cool, dry place out of the reach of children.



## 5. MAINTENANCE

- **WARNING:** Always disconnect from power source before carrying out any inspection, maintenance or cleaning.
- 5.1. **GENERAL INSPECTION**
- 5.1.1. Regularly check that all the fixing screws are tight.
- 5.1.2. Repairs should be carried out by an authorised service centre.
- 5.2. **CLEANING**
- **WARNING:** Always wear protective equipment including eye protection and gloves when cleaning this tool.
- 5.2.1. Keep your tool clean at all times. Dirt and dust will cause internal parts to wear quickly, and shorten the device's service life.
- 5.2.2. Clean the body of your machine with a soft brush, or dry cloth.
- 5.2.3. Never use caustic agents to clean plastic parts. If dry cleaning is not sufficient, a mild detergent on a damp cloth is recommended.
- 5.2.4. Water must never come into contact with the tool. Ensure the tool is thoroughly dry before using it.
- 5.2.5. If available, use clean, dry, compressed air to blow through the ventilation holes (where applicable).
- 5.3. **LUBRICATION**
- 5.3.1. Lightly lubricate all moving parts at regular intervals with a suitable spray lubricant.
- 5.4. **BRUSHES**
- 5.4.1. Over time the carbon brushes inside the motor may become worn
- 5.4.2. Excessively worn brushes may cause loss of power, intermittent failure, or visible sparking.
- 5.4.3. If you suspect that the brushes may be worn, have them replaced at an authorised service centre.
- 5.5. **STORAGE**
- 5.5.1. Store this tool carefully in a secure, dry place out of the reach of children.

### **WARNING! – Risk of Hand Arm Vibration Injury.**

This tool may cause Hand Arm Vibration Syndrome if its use is not managed adequately.

This tool is subject to the vibration testing section of the Machinery Directive 2006/42/EC.

This tool is to be operated in accordance with these instructions.

Measured vibration emission value (a): 15.258m/s<sup>2</sup>

Uncertainty value (k): 1.5m/s<sup>2</sup>

Please note that the application of the tool to a sole specialist task may produce a different average vibration emission. We recommend that a specific evaluation of the vibration emission is conducted prior to commencing with a specialist task.

A health and safety assessment by the user (or employer) will need to be carried out to determine the suitable duration of use for each tool.

**NB:** Stated Vibration Emission values are type-test values and are intended to be typical.

Whilst in use, the actual value will vary considerably from and depend on many factors.

Such factors include; the operator, the task and the inserted tool or consumable.

**NB:** ensure that the length of leader hoses is sufficient to allow unrestricted use, as this also helps to reduce vibration.

*The state of maintenance of the tool itself is also an important factor, a poorly maintained tool will also increase the risk of Hand Arm Vibration*

*Syndrome.*

**Health surveillance.**

We recommend a programme of health surveillance to detect early symptoms of vibration injury so that management procedures can be modified accordingly.

**Personal protective equipment.**

We are not aware of any personal protective equipment (PPE) that provides protection against vibration injury that may result from the uncontrolled use of this tool. We recommend a sufficient supply of clothing (including gloves) to enable the operator to remain warm and dry and maintain good blood circulation in fingers etc. Please note that the most effective protection is prevention, please refer to the Correct Use and Maintenance section in these instructions. Guidance relating to the management of hand arm vibration can be found on the HSC website [www.hse.gov.uk](http://www.hse.gov.uk) - Hand-Arm Vibration at Work.



**WEEE REGULATIONS**

Dispose of this product at the end of its working life in compliance with the EU Directive on Waste Electrical and Electronic Equipment (WEEE). When the product is no longer required, it must be disposed of in an environmentally protective way. Contact your local solid waste authority for recycling information.



**ENVIRONMENT PROTECTION**

Recycle unwanted materials instead of disposing of them as waste. All tools, accessories and packaging should be sorted, taken to a recycling centre and disposed of in a manner which is compatible with the environment. When the product becomes completely unserviceable and requires disposal, drain any fluids (if applicable) into approved containers and dispose of the product and fluids according to local regulations.

**Note:** It is our policy to continually improve products and as such we reserve the right to alter data, specifications and component parts without prior notice.

**Important:** No Liability is accepted for incorrect use of this product.

**Warranty:** Guarantee is 12 months from purchase date, proof of which is required for any claim.

**Sealey Group, Kempson Way, Suffolk Business Park, Bury St Edmunds, Suffolk. IP32 7AR**



**01284 757500**



**01284 703534**



**sales@sealey.co.uk**



**www.sealey.co.uk**