

**NOTE:** It is our policy to continually improve products and as such we reserve the right to alter data, specifications and component parts without prior notice. There may be alternative versions of this product, please contact us should you require this information.

**IMPORTANT:** No liability is accepted for incorrect use of product. Spare parts must be fitted by a competent person

**WARRANTY:** Guarantee is 12 months from purchase date, proof of which will be required for any claim.



Parts Information:  
**Magnetic Drilling Machine 60mm 110V**  
**Model No: MAG60110V**

Item	Part No.	Description
1	MAG60230V.B01	Coolant Bottle
2	MAG60230V.B02	Coolant Bottle Holder
3	MAG60230V.B03	Screw Cap
4	MAG60230V.B04	Ball Valve
5	MAG60230V.B05	Pipe
6	MAG60230V.B06	Connector
7	MAG60230V.B07	Guide Plate
8	MAG60230V.B08	Rack
9	MAG60230V.B09	Back Panel
10	MAG60230V.B10	Screw
11	MAG60230V.B11	Roll Pin
12	MAG60230V.B12	Slider
13	MAG60230V.B13	Stand
14	MAG60230V.B14	Screw
15	MAG60230V.B15	Adjustable Slider
16	MAG60230V.B16	Level
17	MAG60230V.B17	E-Ring
18	MAG60230V.B18	Washer
19	MAG60230V.B19	Bearing
20	MAG60230V.B20	External Circlip
21	MAG60230V.B21	Lifting Gear
22	MAG60230V.B22	Bushing
23	MAG60230V.B23	Lifting Shaft
24	MAG60230V.B24	Pin / Pin
25	MAG60230V.B25	Handle

Item	Part No.	Description
26	MAG60230V.B26	Knob
27	MAG60230V.B27	Head Socket Cap Bolt
28	MAG60230V.B28	Hose Coupling
29	MAG60230V.B29	Screw
30	MAG60230V.B30	Washer
31	MAG60230V.B31	Washer
32	MAG60230V.B32	Copper Terminal
33	MAG60230V.B33	Screw
34	MAG60110V.B34	Cable
35	MAG60230V.B35	Cable Grommet
36	MAG60230V.B36	Frame
37	MAG60110V.B37	Circuit Board
38	MAG60230V.B38	Self Tapping Screw
39	MAG60230V.B39	Circuit Board Holder
40	MAG60230V.B40	Control Panel
41	MAG60230V.B41	Screw
42	MAG60110V.B42	Power Switch
43	MAG60110V.B43	Switch
44	MAG60110V.B44	Fuse
45	MAG60230V.B45	Round-Head Screw
46	MAG60230V.B46	Round-Head Screw
47	MAG60230V.B47	Magnetic Base
48	MAG60230V.B48	Slider
49	MAG60230V.B49	Hex Screw
50	MAG60230V.B50	Hex Screw

**NOTE:** It is our policy to continually improve products and as such we reserve the right to alter data, specifications and component parts without prior notice. There may be alternative versions of this product, please contact us should you require this information.

**IMPORTANT:** No liability is accepted for incorrect use of product. Spare parts must be fitted by a competent person

**WARRANTY:** Guarantee is 12 months from purchase date, proof of which will be required for any claim.

**Sealey Group**, Kempson Way, Suffolk Business Park, Bury St Edmunds, Suffolk. IP32 7AR



01284 757500



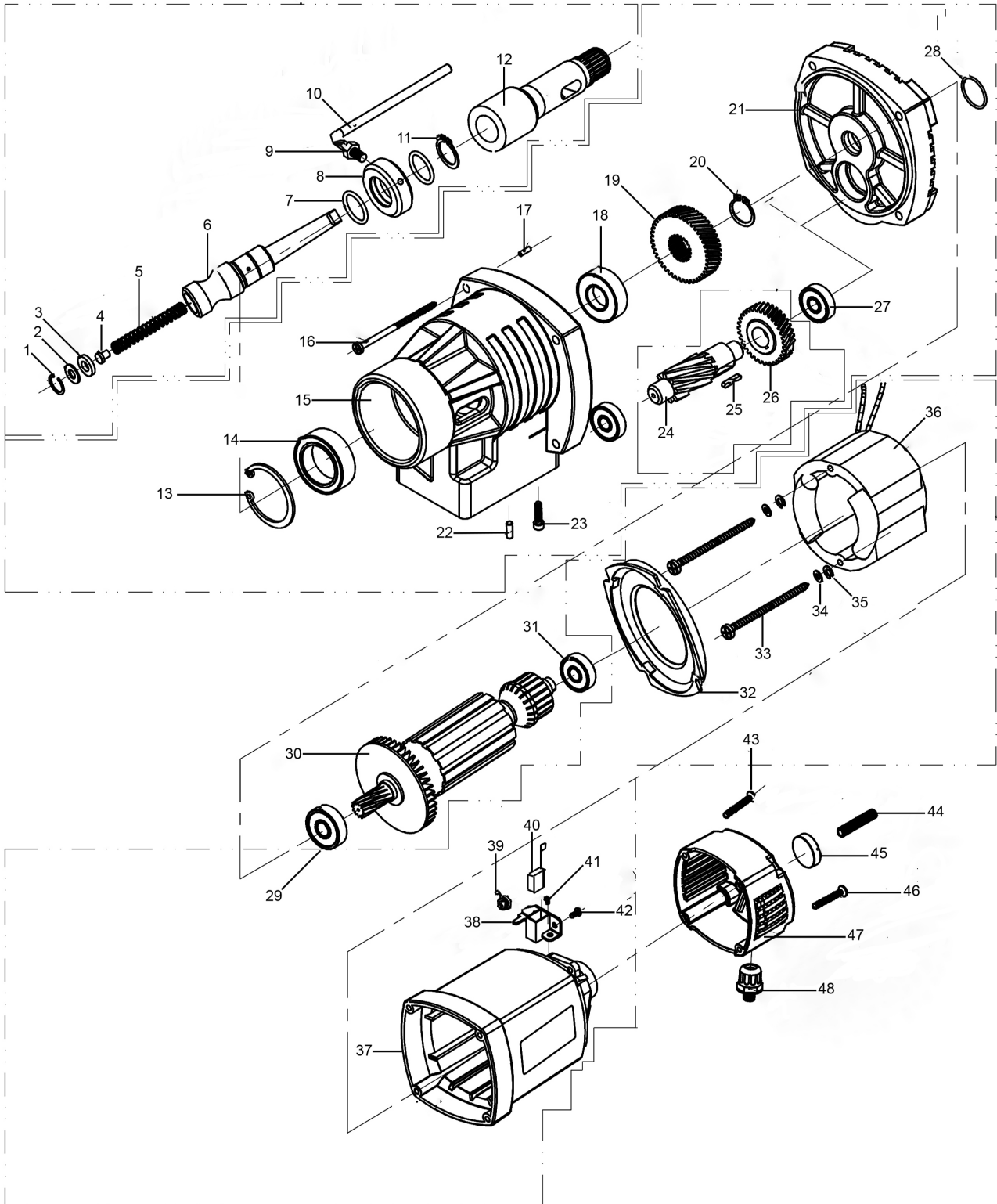
01284 703534



sales@sealey.co.uk



www.sealey.co.uk



**NOTE:** It is our policy to continually improve products and as such we reserve the right to alter data, specifications and component parts without prior notice. There may be alternative versions of this product, please contact us should you require this information.

**IMPORTANT:** No liability is accepted for incorrect use of product. Spare parts must be fitted by a competent person

**WARRANTY:** Guarantee is 12 months from purchase date, proof of which will be required for any claim.



Parts Information:  
**Magnetic Drilling Machine 60mm 110V**  
**Model No: MAG60110V**

Item	Part No.	Description
1	MAG60230V.M01	Internal Circlip
2	MAG60230V.M02	Washer
3	MAG60230V.M03	Plastic Washer
4	MAG60230V.M04	Spring Mount
5	MAG60230V.M05	Spring
6	MAG60230V.M06	Taper
7	MAG60230V.M07	O-Ring
8	MAG60230V.M08	Seal
9	MAG60230V.M09	Screw Cap
10	MAG60230V.M10	Stop Pin
11	MAG60230V.M11	External Circlip
12	MAG60230V.M12	Spindle
13	MAG60230V.M13	Internal Circlip
14	MAG60230V.M14	Bearing
15	MAG60230V.M15	Gear Box
16	MAG60230V.M16	Hex Socket Cap Bolt
17	MAG60230V.M17	Pin
18	MAG60230V.M18	Bearing
19	MAG60230V.M19	Gear (Large)
20	MAG60230V.M20	External Circlip
21	MAG60230V.M21	Gear Cover
22	MAG60230V.M22	Pin
23	MAG60230V.M23	Head Socket Cap Bolt
24	MAG60230V.M24	Gear Shaft

Item	Part No.	Description
25	MAG60230V.M25	Woodruff Key
26	MAG60230V.M26	Gear (Small)
27	MAG60230V.M27	Bearing
28	MAG60230V.M28	O-Ring
29	MAG60230V.M29	Bearing
30	MAG60110V.M30	Armature
31	MAG60230V.M31	Bearing
32	MAG60230V.M32	Rotor/Stator Protection
33	MAG60230V.M33	Self Tapping Screw
34	MAG60230V.M34	Flat Washer
35	MAG60230V.M35	Spring Washer
36	MAG60110V.M36	Stator
37	MAG60230V.M37	Motor Housing
38	MAG60230V.M38	Carbon Brush Holder
39	MAG60230V.M39	Carbon Brush Spring
40	MAG60230V.M40	Carbon Brush
41	MAG60230V.M41	Carbon Brush Screw (A)
42	MAG60230V.M42	Carbon Brush Screw (B)
43	MAG60230V.M43	Self Tapping Screw
44	MAG60230V.M44	Plastic Tube
45	MAG60230V.M45	Level
46	MAG60230V.M46	Self Tapping Screw
47	MAG60230V.M47	Top Cover
48	MAG60230V.M48	Hose Coupling

**NOTE:** It is our policy to continually improve products and as such we reserve the right to alter data, specifications and component parts without prior notice. There may be alternative versions of this product, please contact us should you require this information.

**IMPORTANT:** No liability is accepted for incorrect use of product. Spare parts must be fitted by a competent person

**WARRANTY:** Guarantee is 12 months from purchase date, proof of which will be required for any claim.

**Sealey Group**, Kempson Way, Suffolk Business Park, Bury St Edmunds, Suffolk. IP32 7AR



01284 757500



01284 703534



sales@sealey.co.uk



www.sealey.co.uk