



INSTRUCTIONS FOR

JOBSITE BOX 5 DRAWER 915MM HEAVY DUTY

MODEL NO: **PTB91505**

Thank you for purchasing a Sealey product. Manufactured to a high standard, this product will, if used according to these instructions, and properly maintained, give you years of trouble free performance.

IMPORTANT: PLEASE READ THESE INSTRUCTIONS CAREFULLY. NOTE THE SAFE OPERATIONAL REQUIREMENTS, WARNINGS & CAUTIONS. USE THE PRODUCT CORRECTLY AND WITH CARE FOR THE PURPOSE FOR WHICH IT IS INTENDED. FAILURE TO DO SO MAY CAUSE DAMAGE AND/OR PERSONAL INJURY AND WILL INVALIDATE THE WARRANTY. KEEP THESE INSTRUCTIONS SAFE FOR FUTURE USE.



Refer to
Instruction
Manual

1. SAFETY

- WARNING!** Ensure Health & Safety, local authority, and general workshop practice regulations are adhered to when using these units.
- ✓ Locate the units in a suitable work area.
- ✓ Keep the work area clean, uncluttered and ensure there is adequate lighting.
- WARNING!** Use the box on level and solid surface capable of withstanding its weight.
- ✓ Keep the box clean and tidy in accordance with good workshop practice.
- ✓ Keep children and unauthorised persons away from the work area.
- * **DO NOT** use this box for any purpose other than that for which it is designed.
- * **DO NOT** place the box in a damp or wet location or an area where there is condensation.
- * **DO NOT** clean the box with any solvents which may damage the surfaces or the protective coating.
- * **DO NOT** move the box with the drawers out. To avoid tipping, open one drawer at a time and close and secure all drawers and close lid whilst moving.
- * **DO NOT** step on the drawers.

2. INTRODUCTION

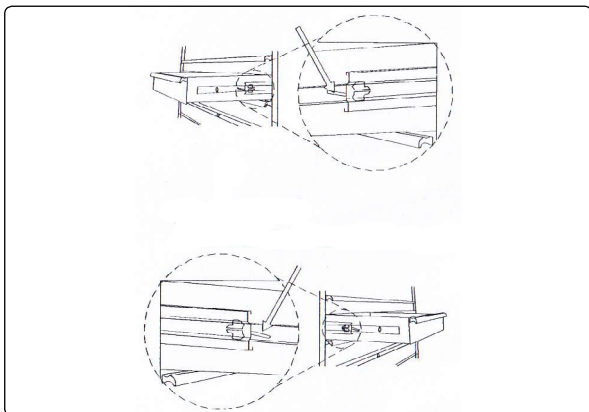
Manufactured from 1.2mm steel, this jobsite box features a lockable front panel which opens in unison with the lid, supported by two gas struts for smooth operation. The box features five ball bearing runner drawers (each with 45kg capacity) along with an open storage space ideal for larger tools and quick access. Heavy duty handles on either side of the jobsite box aid positioning. Welded feet on the base of the box enable use with either a forklift or pallet truck to move around the work area. The feet are supplied with pre-drilled holes adding the option to secure in place. Suitable for secure storage of tools on site, in vehicles, workshops or even at home. The jobsite box also doubles up as a bench.

3. SPECIFICATION

Model no: **PTB91505**
 Overall size (W x D x H): 915 x 505 x 705mm
 Small drawer (x4): 720 x 400 x 45mm
 Large drawer (x1): 720 x 400 x 120mm

4. OPERATION

- 4.1. Remove drawers**
 - 4.1.1. Pull drawer out until it is almost fully extended. Push up one release lever, while pulling down the other. Hold the levers in these positions and pull the drawer out until it is released from the drawer slide.
- 4.2. Replace drawers**
 - 4.2.1. Extend the drawer slides from the tool chest/cabinet.
 - 4.2.2. Insert the brackets on each side of the drawer into the slots in the chest/cabinet slides, being careful that they are properly positioned.
 - 4.2.3. Once properly inserted, completely close the drawer to set the slides in their proper positions.





Environmental Protection

Recycle unwanted materials instead of disposing of them as waste. All tools, accessories and packaging should be sorted, taken to a recycling centre and disposed of in a manner which is compatible with the environment. When the product becomes completely unserviceable and requires disposal, drain off any fluids (if applicable) into approved containers and dispose of the product and the fluids according to local regulations.

Parts support is available for this product. To obtain a listing and/or diagram, please log on to: www.sealey.co.uk, email: sales@sealey.co.uk or phone: 01284 757500

NOTE: It is our policy to continually improve products and as such we reserve the right to alter data, specifications and component parts without prior notice.

IMPORTANT: No liability is accepted for incorrect use of this product.

WARRANTY: Guarantee is 12 months from purchase date, proof of which will be required for any claim.



Sole UK Distributor, Sealey Group.
Kempson Way, Suffolk Business Park,
Bury St. Edmunds, Suffolk.
IP32 7AR



01284 757500



01284 703534



www.sealey.co.uk



sales@sealey.co.uk