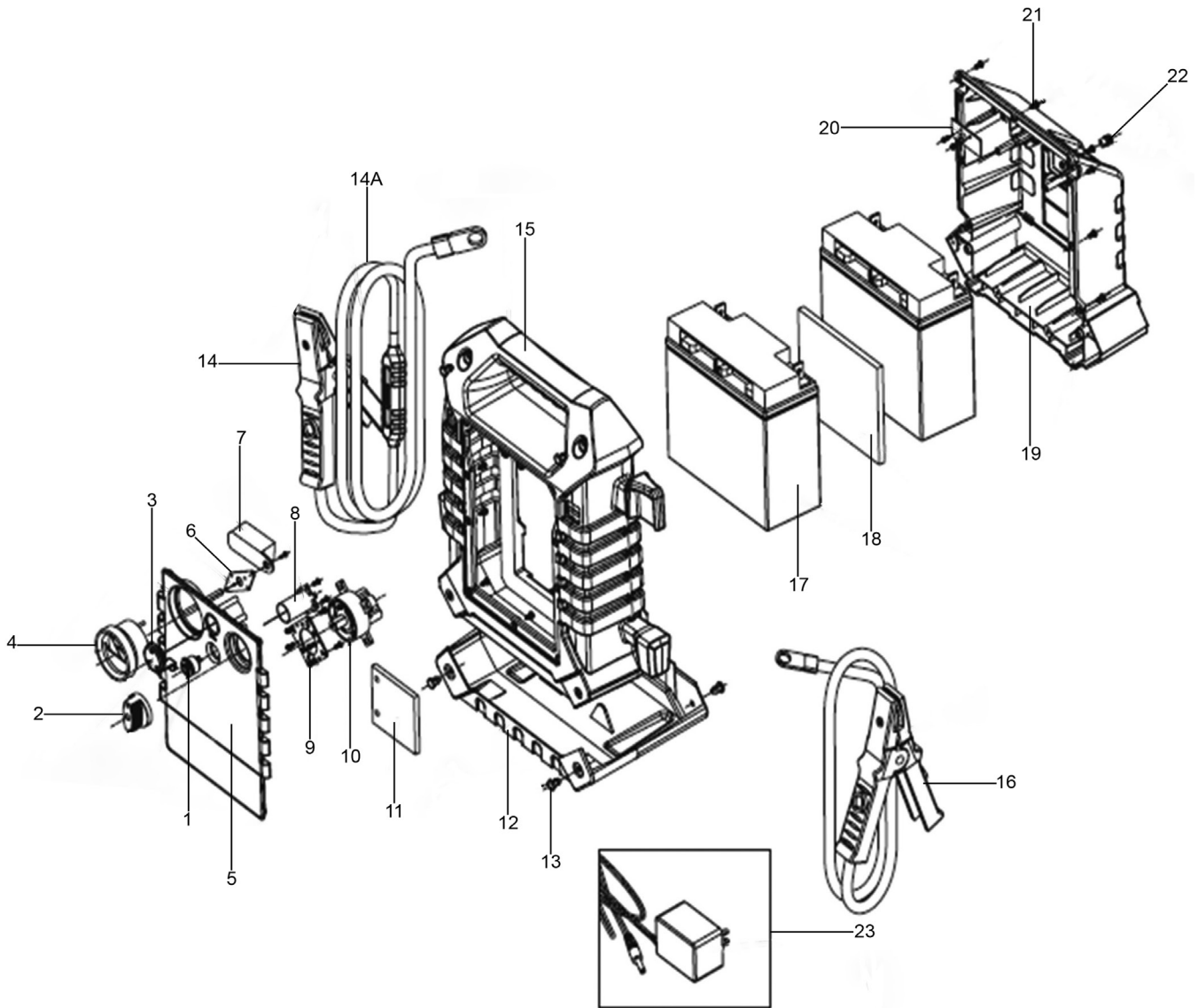




Parts Information:
RoadStart® Emergency Jump Starter
12/24V 3000/1500 Peak Amps
Model No: RS125.V4



Item	Part No.	Description
1	RS125.V4-01	Switch, Volt Test
2	RS125.V4-02	Knob, Power Switch
3	RS125.V4-03	Cap, Cigarette Lighter Socket
4	RS125.V4-04	Voltmeter
5	RS125.V4-05	Front Panel
6	RS125.V4-06	Board, Voltmeter
7	RS125.V4-07	Circuit Breaker
8	RS125.V4-08	Socket, Cigarette Lighter
9	RS125.V4-09	Board, Power Switch
10	RS125.V4-10	Switch, Rotary Power (c/w Knob)
11	RS125.V4-11	PCB, Cigarette Lighter Socket
12	RS125.V4-12	Rubber Cushion

Item	Part No.	Description
13	RS125.V4-13	Screw
14	RS125.V4-14	Clamp, Positive
14A	RS125.10XD	Lead, Positive (c/w Inline Diode)
15	RS125.V4-15	Housing, Front
16	RS125.V4-16	Clamp, Negative
17	RS125.12	Battery
18	RS125.V4-18	Tape, Battery
19	RS125.V4-19	Housing, Rear
20	RS125.V4-20	PCB, Charger Socket
21	RS125.V4-21	Screw
22	RS125.V4-22	Socket, Charger
23	RS125.C	Mains Charger

NOTE: It is our policy to continually improve products and as such we reserve the right to alter data, specifications and component parts without prior notice. There may be alternative versions of this product, please contact us should you require this information.

IMPORTANT: No liability is accepted for incorrect use of product. Spare parts must be fitted by a competent person

WARRANTY: Guarantee is 12 months from purchase date, proof of which will be required for any claim.

Sealey Group, Kempson Way, Suffolk Business Park, Bury St Edmunds, Suffolk. IP32 7AR



01284 757500



01284 703534



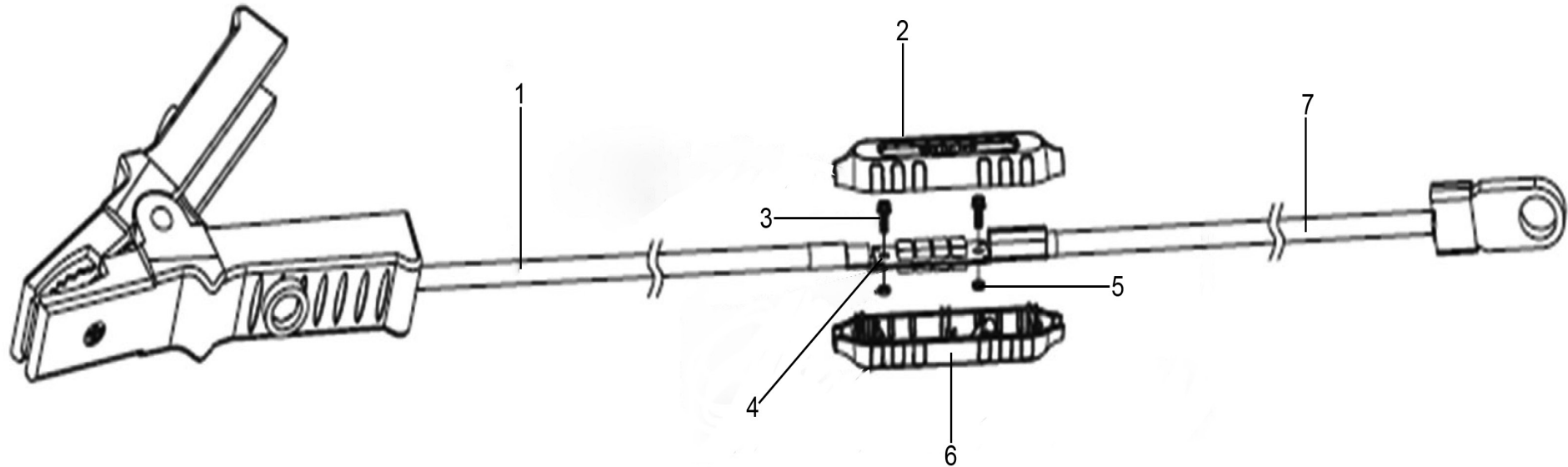
sales@sealey.co.uk



www.sealey.co.uk



Parts Information:
RoadStart® Emergency Jump Starter 12/24V 3000/1500 Peak Amps
Model No: RS125.V4



Item	Part No.	Description
1	RS125.V4-14.1	Cable 0.5M
2	RS125.V4-14.2	Case, Upper
3	RS125.V4-14.3	Screws
4	RS125.V4-14.4	PCB
5	FN6.S	Flange Nut Serrated M6
6	RS125.V4-14.6	Case, Lower
7	RS125.V4-14.7	Cable 0.38M

NOTE: It is our policy to continually improve products and as such we reserve the right to alter data, specifications and component parts without prior notice.

There may be alternative versions of this product, please contact us should you require this information.

IMPORTANT: No liability is accepted for incorrect use of product. Spare parts must be fitted by a competent person

WARRANTY: Guarantee is 12 months from purchase date, proof of which will be required for any claim.

Sealey Group, Kempson Way, Suffolk Business Park, Bury St Edmunds, Suffolk. IP32 7AR

01284 757500

01284 703534

sales@sealey.co.uk

www.sealey.co.uk