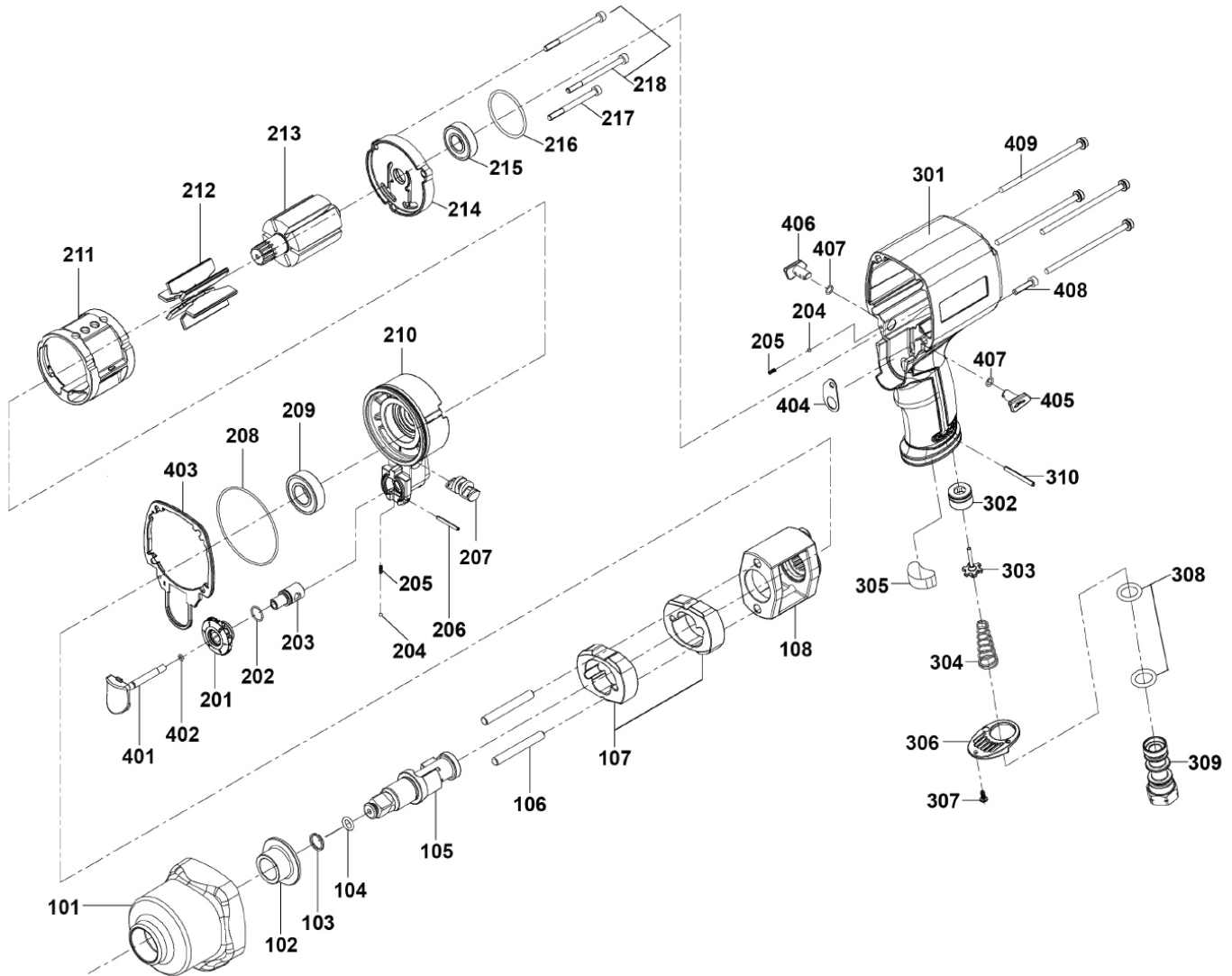




Parts Information:
Air Impact Wrench 1/2" Sq Drive Twin Hammer
Model No: SA6002.V2



Item	Part No.	Description
101	SA6002.V4-101	Hammer Case
102	SA6002.V4-102	Anvil Bushing
103	SA6002S.V2-103	Socket Retainer
104	GSA08.09-4	O-Ring, (Ex: 11.21 In: 7.65 Cs: 1.78)
105	SA6002.V4-105	Anvil
106	SA6004.V2-106	Hammer Pin
107	SA6004.V2-107	Hammer
108	SA6004.V2-108	Hammer Cage
201	SA6005.V2-201	Regulator Assembly
202	SA6004.V2-202	O-Ring (8x1mm)
203	SA6004.V2-203	Regulator Stem
204	SB-2.5	Steel Ball 2.5mm
205	SA6005.V2-205	Spring Dia 2.5mm

Item	Part No.	Description
206	SA6005.V2-206	Spring Pin Dia 2.7mm
207	SA6004.V2-207	Reverse Stem
208	SA6004.V2-208	O-Ring (54x1.5mm)
209	B/6002ZZ	Bearing 6002zz
210	SA6004.V2-210	Front End Plate Ass'y
211	SA6004.V2-211	Cylinder (Use SA6004.V2-211)
212	SA6004.V2-212	Rotor Blade (Set of 6)
213	SA6004.V2-213	Rotor
214	SA6004.V2-214	Rear End Plate
215	B/6001ZZ	Bearing 6001zz
216	SA6005.V2-216	O-Ring, (Ex: 36.18 In: 34.12 Cs: 2.06)
217	SCB448.SB	Socket Head Cap Screw M4x48 Black
218	SCB457.SB	Socket Cap Bolt M4 x 57 Black

NOTE: It is our policy to continually improve products and as such we reserve the right to alter data, specifications and component parts without prior notice. There may be alternative versions of this product, please contact us should you require this information.

IMPORTANT: No liability is accepted for incorrect use of product. Spare parts must be fitted by a competent person

WARRANTY: Guarantee is 12 months from purchase date, proof of which will be required for any claim.

Sealey Group, Kempson Way, Suffolk Business Park, Bury St Edmunds, Suffolk. IP32 7AR



01284 757500



01284 703534



sales@sealey.co.uk



www.sealey.co.uk



Parts Information:
**Air Impact Wrench 1/2" Sq Drive Twin
Hammer**
Model No: SA6002.V2

Item	Part No.	Description
301	SA6002.V4-301	Housing Ass'y (c/w Air Inlet Set)
302	SA6004.V2-302	Valve Seat Ass'y
303	SA6004.V2-303	Valve Stem Ass'y
304	SA6005.V2-304	Spring Conical
305	SA6004.V2-305	Muffler
306	SA6004.V2-306	Exhaust Deflector
307	MSP38.SB	Machine Screw Pan Head Phillips M3 x 8mm Black
308	SA6004.V2-308	O-Ring (12x3mm)
309	SA6004.V2-309	Air Inlet

Item	Part No.	Description
310	SA6002S.V2-310	Spring Pin (3x30)
401	SA6004.V2-401	Trigger Ass'y
402	SA6005.V2-402	O-Ring
403	SA6004.V2-403	Front End Plate Gasket
404	SA6004.V2-404	Gasket
405	SA6004.V2-405	Reverse Button
406	SA6004.V2-406	Forward Button
407	SA6004.V2-407	O-Ring (7.6x1mm)
408	SCB418.SB	Socket Cap Bolt M4 x 18mm Black
409	SCB484.SB	Socket Cap Bolt M4 x 84 Black

NOTE: It is our policy to continually improve products and as such we reserve the right to alter data, specifications and component parts without prior notice. There may be alternative versions of this product, please contact us should you require this information.

IMPORTANT: No liability is accepted for incorrect use of product. Spare parts must be fitted by a competent person

WARRANTY: Guarantee is 12 months from purchase date, proof of which will be required for any claim.

Sealey Group, Kempson Way, Suffolk Business Park, Bury St Edmunds, Suffolk. IP32 7AR



01284 757500



01284 703534



sales@sealey.co.uk



www.sealey.co.uk