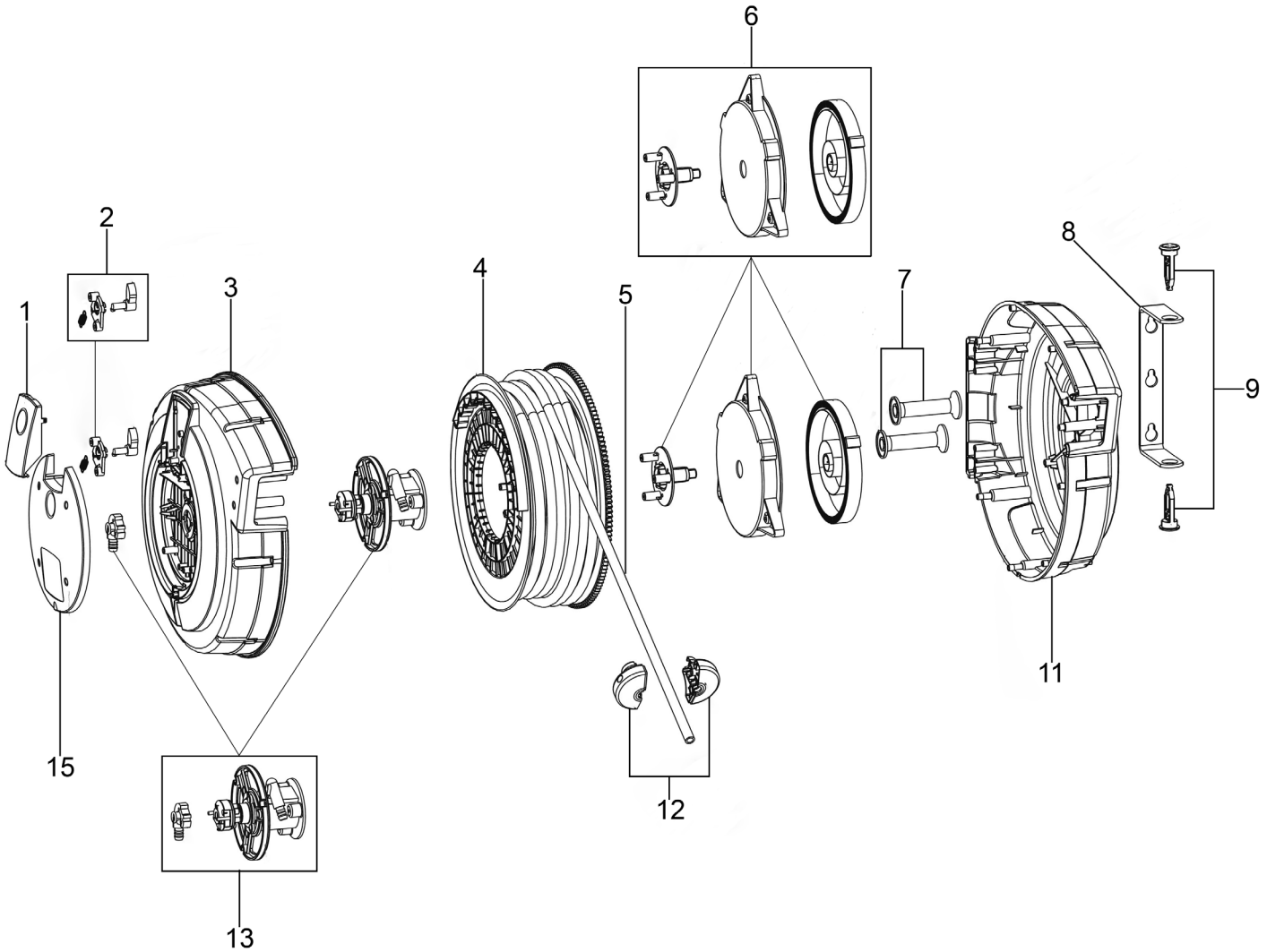


Parts Information:  
**Retractable Air Hose Reel HD Mechanism**  
**10m Ø10mm ID PU Hose**  
**Model No: SA895.V3**



Item	Part No.	Description
1	198.330114	Cover, Locking System
2	198-704903	Pawl Assembly
3	198.331020	Casing, Left
4	198.331205	Spool
5	198.703026	Hose
6	198.705026	Spring
7	198.331220	Guide Roller

Item	Part No.	Description
8	198.620125	Wall Bracket
9	198.324230	Support Pin
11	198.331120	Casing, Right
12	198-322246	Hose Stopper (c/w Screws)
13	198-323381	Air Pivot Connection
15	198.330112	Cover

**NOTE:** It is our policy to continually improve products and as such we reserve the right to alter data, specifications and component parts without prior notice. There may be alternative versions of this product, please contact us should you require this information.

**IMPORTANT:** No liability is accepted for incorrect use of product. Spare parts must be fitted by a competent person

**WARRANTY:** Guarantee is 12 months from purchase date, proof of which will be required for any claim.