

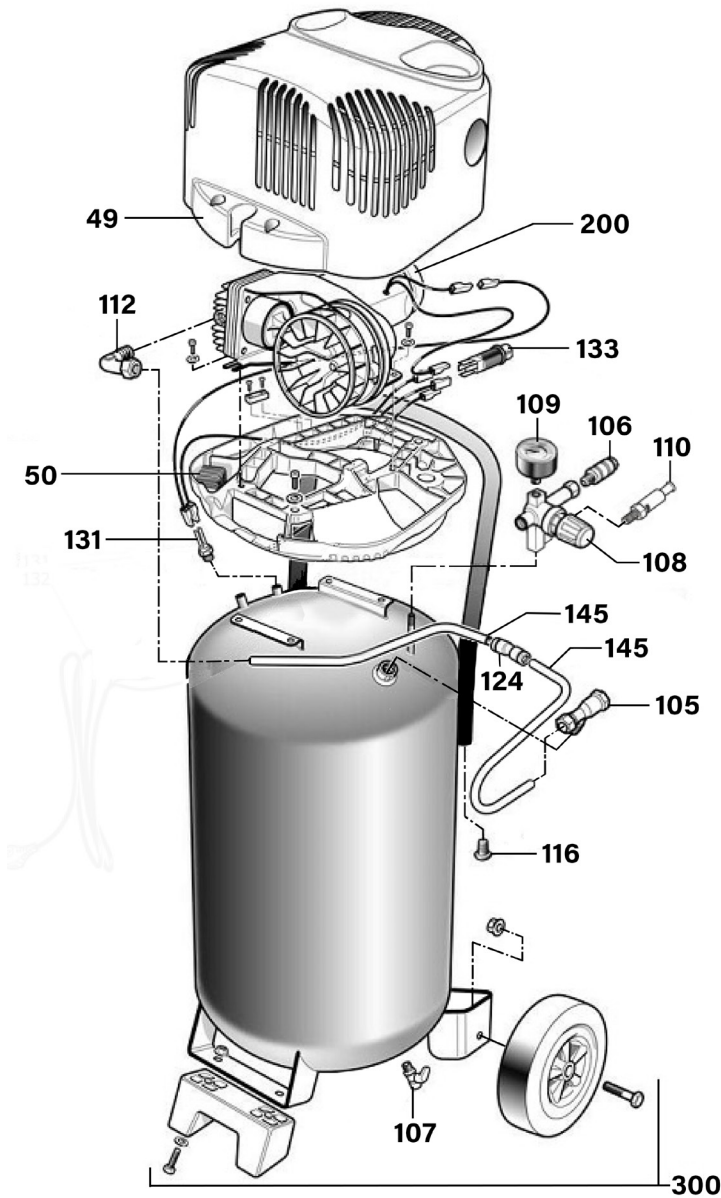
Item	Part No.	Description
2	SACA731000	Cylinder Barrel OI196
4	SACA861202	Crankshaft
23	SAC9054016	Air Filter
46	SAC9038487	Fan
126	SAC9075317	Toothed Belt

Item	Part No.	Description
901	SAC9434B68	MPK Piston Con-Rod Kit
906	SAC9434G56	MPK Head Kit OI227
912	SAC9434C63	MPK Piston Ring Kit OI227
922	SAC9434A59	MPK Valve Kit OI227

NOTE: It is our policy to continually improve products and as such we reserve the right to alter data, specifications and component parts without prior notice. There may be alternative versions of this product, please contact us should you require this information.

IMPORTANT: No liability is accepted for incorrect use of product. Spare parts must be fitted by a competent person

WARRANTY: Guarantee is 12 months from purchase date, proof of which will be required for any claim.



Item	Part No.	Description
49	SAC9069290	Shroud
50	SAC9038482	Motor/Crankcase Cover
105	SAC9048087	Check Valve
106	SAC9047073	Coupling Body 1/4"BSP Male
107	SAC9047051	Drain Valve 1/4"BSP Male (Ball Valve Type)
108	SAC9051325	Pressure Reducer
109	SAC9052141	Pressure Gauge
110	SAC9049193	Safety Valve
112	SAC9050521	Elbow 1/4"BSP Male-10mm Pipe
116	SAC9038001	Handle Plug
124	SAC9414249	Connection for Sending Pipe

Item	Part No.	Description
131	SAC9063202	Air Pressure Switch 8-10Bar
133	SAC9064799	Press Button Power Switch (Red) 16A-250V
145	SAC9043688	Delivery Pipe (2 Bends)
145	SAC9043689	Delivery Pipe (3 Bends)
200	SACC700061	Motor/Pump Complete (Internal 1Phase 2Hp 230V 50Hz)
300	SAC9421639	Wheel Kit
--	SAC9434B72	MPK Piston-Conrod Kit Ol197 (Not Shown)
--	SACC761101	Casing (Not Shown)
--	B/6201-2RS	Bearing 6201-2RS (Not Shown)
--	B/6203ZZ	Bearing 6203ZZ (Not Shown)

NOTE: It is our policy to continually improve products and as such we reserve the right to alter data, specifications and component parts without prior notice. There may be alternative versions of this product, please contact us should you require this information.

IMPORTANT: No liability is accepted for incorrect use of product. Spare parts must be fitted by a competent person

WARRANTY: Guarantee is 12 months from purchase date, proof of which will be required for any claim.