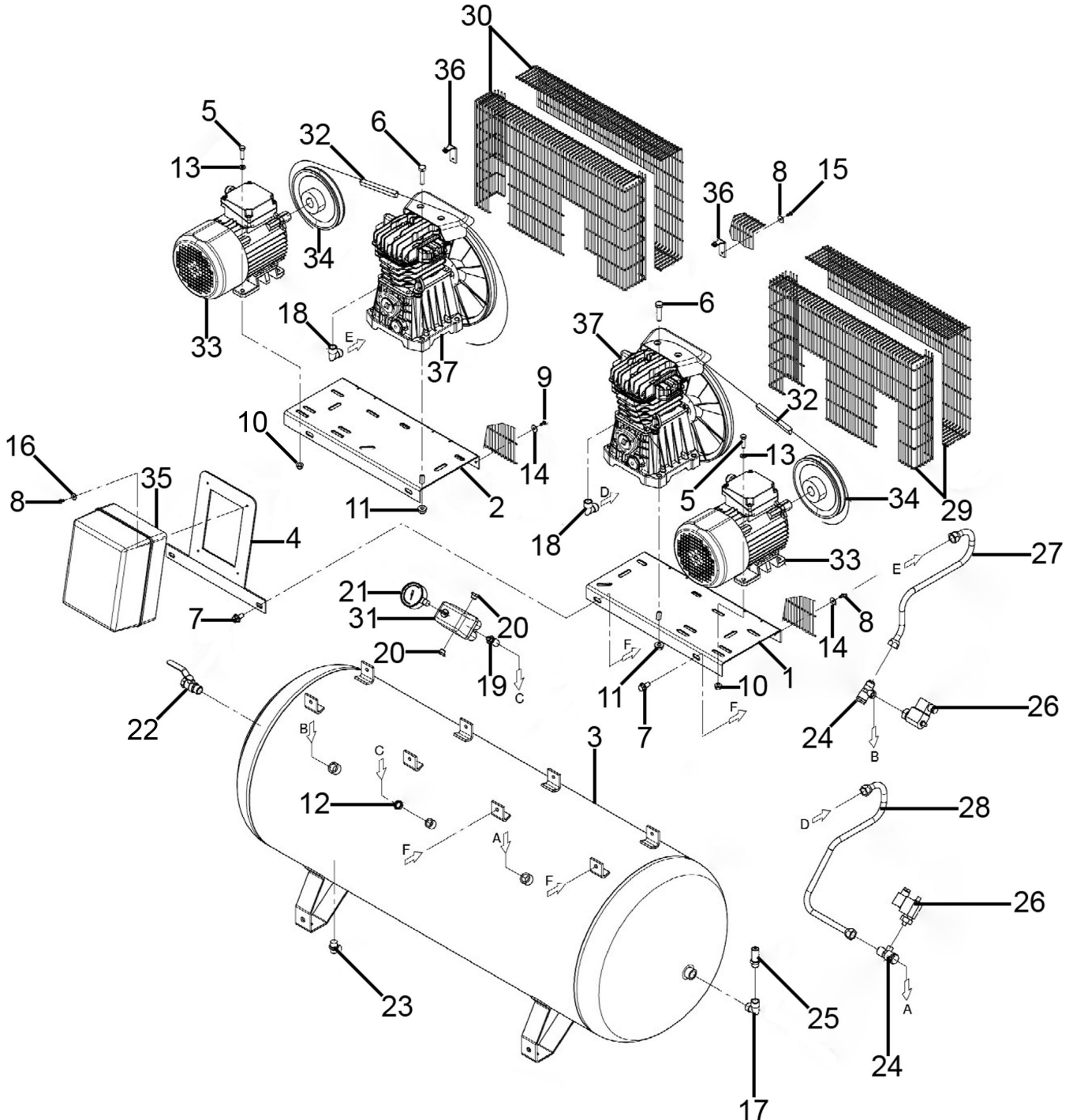


Parts Information:
**Air Compressor 270L Belt Drive 2 x 3hp
 with Cast Cylinders
 Model No: SAC1276B**



NOTE: It is our policy to continually improve products and as such we reserve the right to alter data, specifications and component parts without prior notice. There may be alternative versions of this product, please contact us should you require this information.

IMPORTANT: No liability is accepted for incorrect use of product. Spare parts must be fitted by a competent person

WARRANTY: Guarantee is 12 months from purchase date, proof of which will be required for any claim.



Parts Information:
**Air Compressor 270L Belt Drive 2 x 3hp
with Cast Cylinders
Model No: SAC1276B**

| Item | Part No. | Description |
|------|---------------|---|
| 1 | SAC5010140008 | Base Plate 1 |
| 2 | SAC5010570008 | Base Plate 2 |
| 3 | SAC5155200008 | Tank |
| 4 | SAC5160270008 | Control Box Support |
| 5 | SS830.S | Hex Head Set Screw M8 x 30mm |
| 6 | SS1045.S | Hex Head Set Screw M10 x 45mm |
| 7 | SFS1020.S | Hex Head Flange Bolt M10 x 20mm |
| 8 | MSP512.S | Machine Screw Pan Head Phillips M5 x 12mm |
| 9 | SAC7012170000 | Screw M5 x 8mm |
| 10 | SN8.S | Steel Nut M8 |
| 11 | SN10.S | Steel Nut M10 |
| 12 | SAC7023050000 | Lock Nut |
| 13 | FWM8.S | Flat Washer M8 |
| 14 | RW625.S | Repair Washer M6 x 25mm |
| 15 | RW619.S | Repair Washer M6 x 19mm |
| 16 | SAC7030450000 | Washer |
| 17 | SAC7080130000 | Elbow |
| 18 | SAC7080160000 | Elbow |
| 19 | SAC7088060000 | Connector |

| Item | Part No. | Description |
|------|---------------|-----------------------|
| 20 | SAC7090070000 | Plug |
| 21 | SAC7110250000 | Gauge |
| 22 | SAC7130150000 | Ball Valve |
| 23 | SAC7130160000 | Drain Valve |
| 24 | SAC7190090000 | Non-Return Valve |
| 25 | SAC7192090000 | Safety Valve |
| 26 | SAC7194030000 | Solenoid Valve |
| 27 | SAC7237730000 | Delivery Pipe 1 |
| 28 | SAC7237750000 | Delivery Pipe 2 |
| 29 | SAC4170160000 | Belt Guard Assembly 1 |
| 30 | SAC4170030000 | Belt Guard Assembly 2 |
| 31 | SAC7250360000 | Pressure Switch |
| 32 | V/A47 | V-Belt |
| 33 | SAC1127380796 | Motor |
| 34 | SAC7409570000 | Motor Pulley |
| 35 | SAC7430120000 | Control Box |
| 36 | SAC7458510000 | Belt Guard Support |
| 37 | SAC9101880000 | Pump Unit |
| -- | SAC1127430272 | Fuse (Not Shown) |

NOTE: It is our policy to continually improve products and as such we reserve the right to alter data, specifications and component parts without prior notice. There may be alternative versions of this product, please contact us should you require this information.

IMPORTANT: No liability is accepted for incorrect use of product. Spare parts must be fitted by a competent person

WARRANTY: Guarantee is 12 months from purchase date, proof of which will be required for any claim.

Sealey Group, Kempson Way, Suffolk Business Park, Bury St Edmunds, Suffolk. IP32 7AR



01284 757500



01284 703534

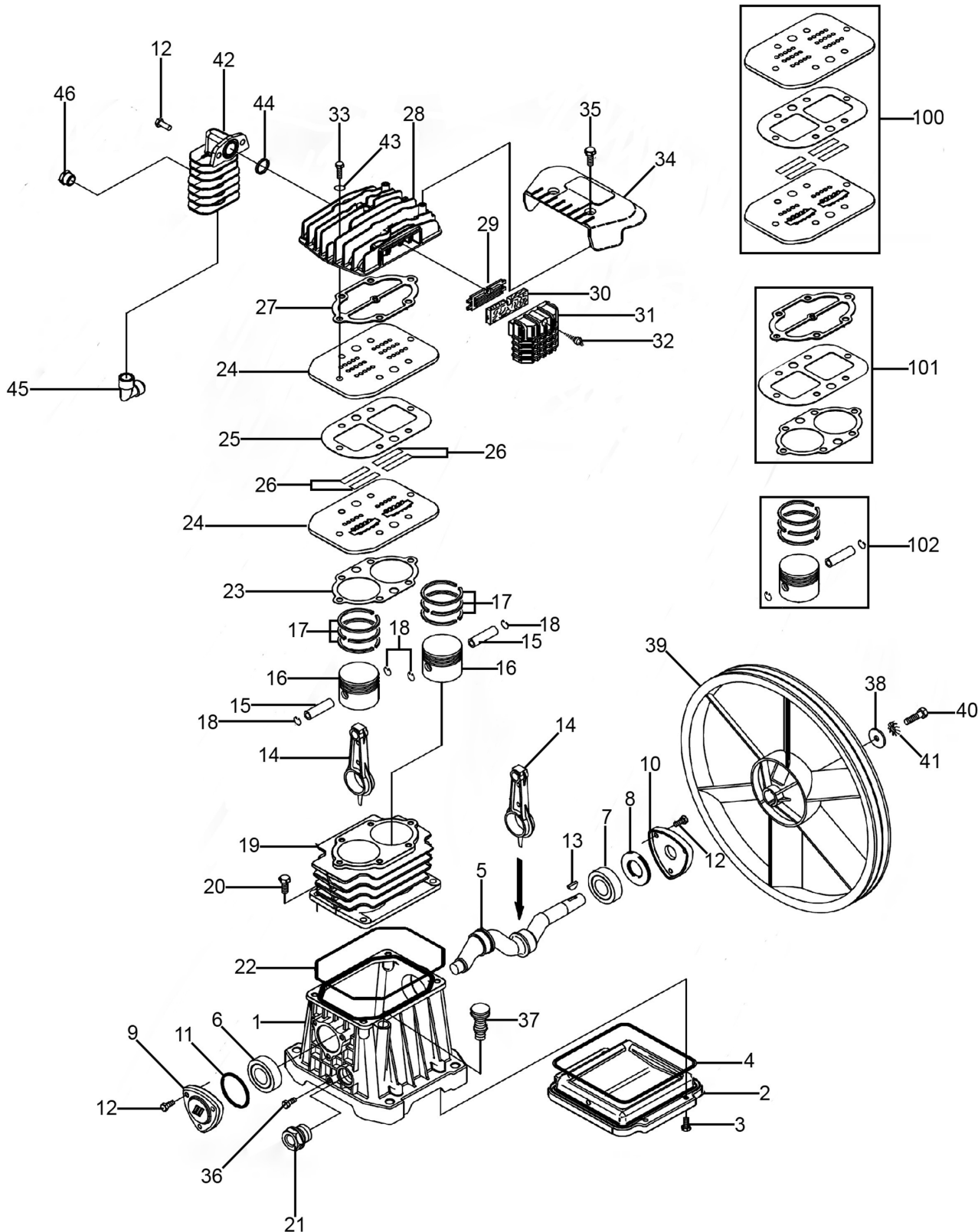


sales@sealey.co.uk



www.sealey.co.uk

Parts Information:
**Air Compressor 270L Belt Drive 2 x 3hp
 with Cast Cylinders
 Model No: SAC1276B**



NOTE: It is our policy to continually improve products and as such we reserve the right to alter data, specifications and component parts without prior notice. There may be alternative versions of this product, please contact us should you require this information.

IMPORTANT: No liability is accepted for incorrect use of product. Spare parts must be fitted by a competent person

WARRANTY: Guarantee is 12 months from purchase date, proof of which will be required for any claim.



Parts Information:
**Air Compressor 270L Belt Drive 2 x 3hp
with Cast Cylinders
Model No: SAC1276B**

| Item | Part No. | Description |
|------|---------------|--------------------------------|
| 1 | SAC9700001075 | Crankcase |
| 2 | SAC9700001076 | Crankcase Cover |
| 3 | SAC9700000531 | Screw M5 x 12mm |
| 4 | SAC9700001077 | Crankcase Base Seal |
| 5 | SAC9100270140 | Crankshaft |
| 6 | B/6203 | Bearing |
| 7 | B/6204 | Bearing |
| 8 | SAC9100270150 | Oil Seal |
| 9 | SAC9100270160 | Front Cover |
| 10 | SAC9100270170 | Rear Cover |
| 11 | SA36.V2-36 | O-Ring |
| 12 | SAC7011420000 | Screw M6 x 16mm |
| 13 | SAC9100280020 | Key |
| 14 | SAC9100270010 | Connection Rod |
| 15 | SAC9100270020 | Gudgeon Pin |
| 16 | SAC9100270030 | Piston |
| 17 | SAC4080120000 | Piston Ring Kit |
| 18 | SAC9100270070 | Seeger Ring |
| 19 | SAC9100270080 | Cylinder |
| 20 | SFS825.S | Hex Head Flange Bolt M8 x 25mm |
| 21 | SAC9100280070 | Oil Sight Glass |
| 22 | SAC9100270180 | Gasket, Cylinder Base |
| 23 | SAC9100270190 | Gasket |
| 24 | SAC9100270090 | Valve Plate |
| 25 | SAC9100270200 | Gasket |

| Item | Part No. | Description |
|------|----------------|---|
| 26 | SAC9100280090 | Valve |
| 27 | SAC9100270210 | Gasket |
| 28 | SAC9100270100 | Cylinder Head |
| 29 | SAC7458340000 | Plate |
| 30 | SAC7210010000 | Filter Element |
| 31 | SAC9100270240 | Intake Filter |
| 32 | SAC7012100000 | Rd Head S/T Screw M3.8 x 15mm |
| 33 | SCB855.S | Socket Cap Bolt M8 x 55mm |
| 34 | SAC9100270220 | Cover |
| 35 | MSP512.S | Machine Screw Pan Head Phillips M5 x 12mm |
| 36 | SS616.S | Hex Head Set Screw M6 x 16mm |
| 37 | SAC1129700300 | Breather Plug |
| 38 | RW825.S | Repair Washer M8 x 25mm |
| 39 | SAC9100270230 | Flywheel |
| 40 | SS825.S | Hex Head Set Screw M8 x 25mm |
| 41 | SAC7031010000 | Toothed Washer |
| 42 | SAC9100270270 | Aftercooler |
| 43 | FWM8.S | Flat Washer M8 |
| 44 | SAC9100270280 | O-Ring |
| 45 | SAC7080160000 | Elbow |
| 46 | SAC9700000693 | Plug |
| 100 | SAC9700003272 | Valve Plate Assembly |
| 101 | SAC9700000078 | Gasket Kit |
| 102 | SAC97000010170 | Piston Kit |

NOTE: It is our policy to continually improve products and as such we reserve the right to alter data, specifications and component parts without prior notice. There may be alternative versions of this product, please contact us should you require this information.

IMPORTANT: No liability is accepted for incorrect use of product. Spare parts must be fitted by a competent person

WARRANTY: Guarantee is 12 months from purchase date, proof of which will be required for any claim.

Sealey Group, Kempson Way, Suffolk Business Park, Bury St Edmunds, Suffolk. IP32 7AR



01284 757500



01284 703534



sales@sealey.co.uk



www.sealey.co.uk