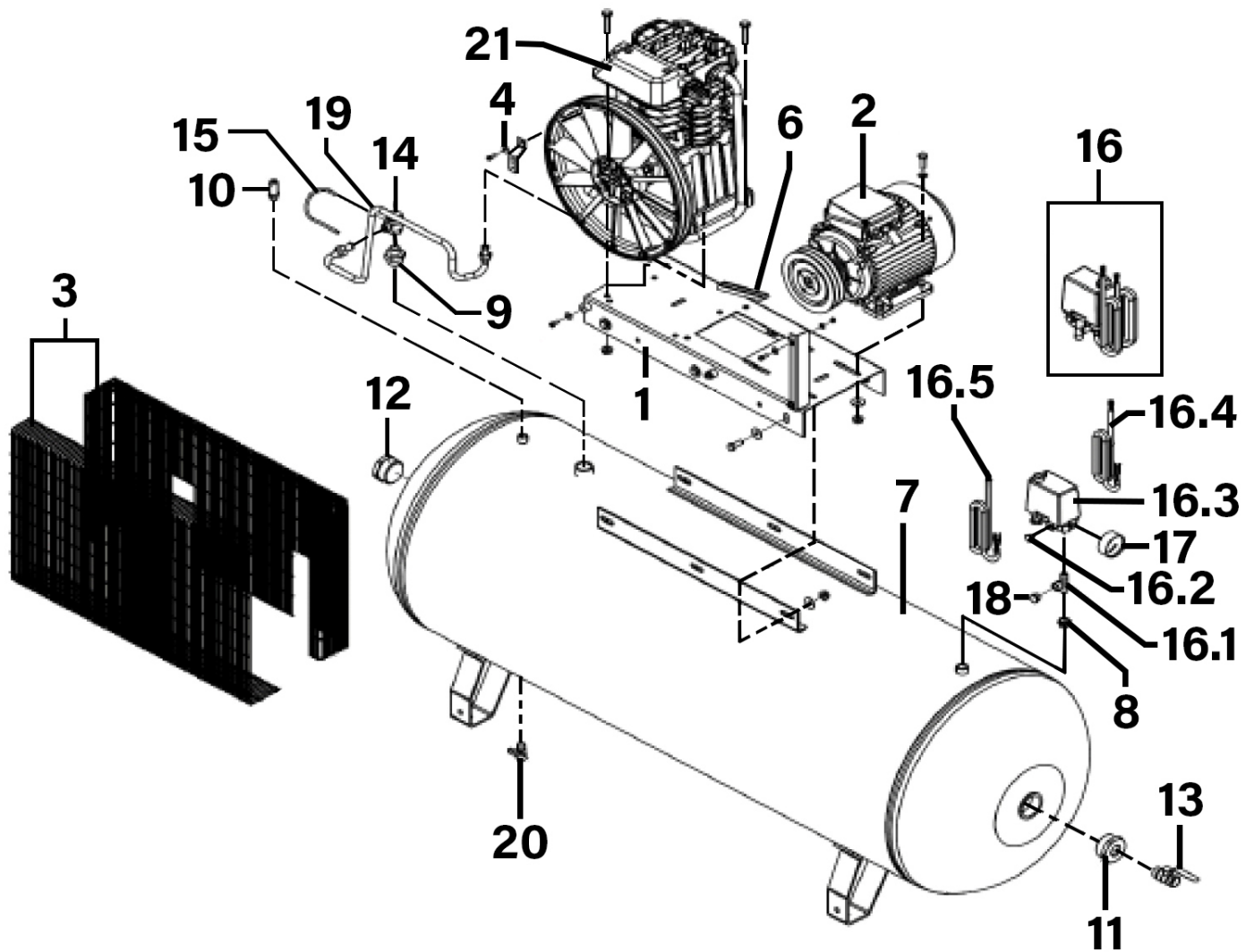


Parts Information:  
**Air Compressor 500L Belt Drive 7.5hp 3ph  
 2-Stage with Cast Cylinders  
 Model No: SAC55075B**



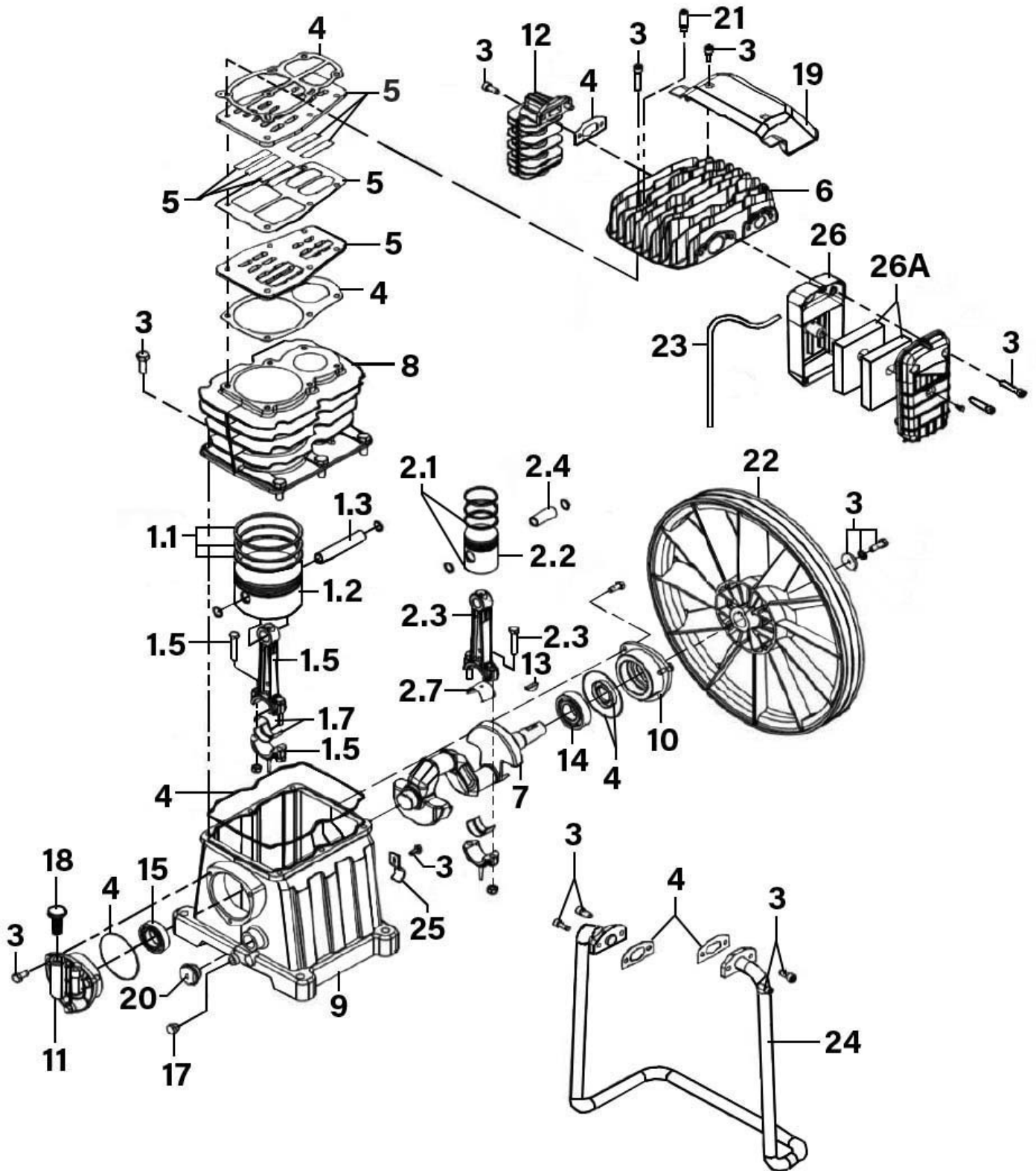
Item	Part No.	Description
1	SAC5010460008	Base Plate
2	SAC4150520000	Motor/Pulley Kit
3	SAC4170200000	Beltguard kit inc 7240320000 7361050000 709201000
4	SAC7458990000	Belt Guard Support
6	V/A68	V-Belt (Id-1725) A68
7	SAC5159190008	Tank 500ltr
8	SAC7085020000	Adaptor 1/2"bsp Male-3/8"bsp Female
9	SAC7085030000	Adaptor 1/2"bsp Male 1"bsp Male
10	SAC7192090000	Safety Valve 10bar 3/8"bsp Male
11	SAC7085390000	Bung (Tap End Of Tank For 3/4" Tap)
12	SAC7090050000	Tank Plug
13	SAC7130460000	Ball Valve 3/4"bsp Male-3/4"bsp Female
14	SAC7190150000	Non-Return Valve

Item	Part No.	Description
15	SAC7230010000	Rislan Hose (Sold Per 1 Meter)
16	SAC4051970000	Pressure Switch Kit C/w Cables
16.1	SAC7082690000	T-Joint 3/8"bsp Male x2-3/8"bsp Female
16.2	SAC7090070000	Plug 1/4"
16.3	SAC7250500000	Pressure Switch 16amp 8-10bar
16.4	SAC7328700000	Pressure Switch Cable (4x2.5mm)
16.5	SAC7328690000	Power Cable
17	SAC7110060000	Gauge 230psi, 60mm od, Rear Fitting
18	SAC7090080000	Plug
19	SAC7231210000	Delivery Pipe
20	SAC7130160000	Drain Valve 3/8"bsp Male
21	SAC3021110000	Pump (AB858)
--	SAC1127400883	Pulley dia 180mm Twin Belt (Not Shown)
--	SAC4080450000	Screw Kit (Not Shown)

**NOTE:** It is our policy to continually improve products and as such we reserve the right to alter data, specifications and component parts without prior notice. There may be alternative versions of this product, please contact us should you require this information.

**IMPORTANT:** No liability is accepted for incorrect use of product. Spare parts must be fitted by a competent person

**WARRANTY:** Guarantee is 12 months from purchase date, proof of which will be required for any claim.



**NOTE:** It is our policy to continually improve products and as such we reserve the right to alter data, specifications and component parts without prior notice. There may be alternative versions of this product, please contact us should you require this information.

**IMPORTANT:** No liability is accepted for incorrect use of product. Spare parts must be fitted by a competent person

**WARRANTY:** Guarantee is 12 months from purchase date, proof of which will be required for any claim.



Parts Information:  
**Air Compressor 500L Belt Drive 7.5hp 3ph  
2-Stage with Cast Cylinders  
Model No: SAC55075B**

Item	Part No.	Description
1.1	SAC4080090000	Piston Ring Set (Low)
1.2	SAC7220140000	Piston (Low)
1.3	SAC7050150000	Piston Pin
1.5	SAC4190370005	Con-Rod
1.7	SAC7062170000	Bushing
2.1	SAC4080080000	Piston Ring Set (High)
2.2	SAC7220120000	Piston (High)
2.3	SAC4190370005	Con-Rod
2.4	SAC7050130000	Piston Pin
2.7	SAC7062170000	Bushing
3	SAC4080910000	Screw Kit
4	SAC4081900000	Gasket Kit
5	SAC4231240000	Valve Plate Kit (Squared Shape)
6	SAC5030620008	Head
7	SAC5041150008	Crankshaft
8	SAC5060720008	Cylinder
9	SAC5070270008	Crankcase
10	SAC5082050008	Rear Cover
11	SAC5082090008	Front Cover

Item	Part No.	Description
12	SAC5130010008	Aftercooler
13	SAC7051520000	Key
14	B/6206	Bearing 6206
15	B/6006	Bearing 6006
16	WK025.V2-31	O-Ring, (Ex: 14.43 In: 9.19 Cs: 2.62)
17	SAC7090090000	Plug 1/4"
18	SAC1129700300	Breather Plug
19	SAC7153050000	Cover
20	SAC9700000408	Oil Level Gauge
21	SAC7192350000	Safety Valve 1/4"bsp Male 6bar
22	SAC7201240000	Flywheel
23	SAC7230040000	Rilsan Hose
24	SAC7232700000	Intercooler
25	SAC7458910000	Clamp
26	SAC9700002979	Filter
26.A	SAC9103760330	Filter Element
--	SAC4080870000	Con-Rod/Piston Kit (Not Shown)
--	SAC4080880000	Hp Con-Rod / Piston Kit (Not Shown)

**NOTE:** It is our policy to continually improve products and as such we reserve the right to alter data, specifications and component parts without prior notice. There may be alternative versions of this product, please contact us should you require this information.

**IMPORTANT:** No liability is accepted for incorrect use of product. Spare parts must be fitted by a competent person

**WARRANTY:** Guarantee is 12 months from purchase date, proof of which will be required for any claim.

**Sealey Group**, Kempson Way, Suffolk Business Park, Bury St Edmunds, Suffolk. IP32 7AR



01284 757500



01284 703534



sales@sealey.co.uk



www.sealey.co.uk