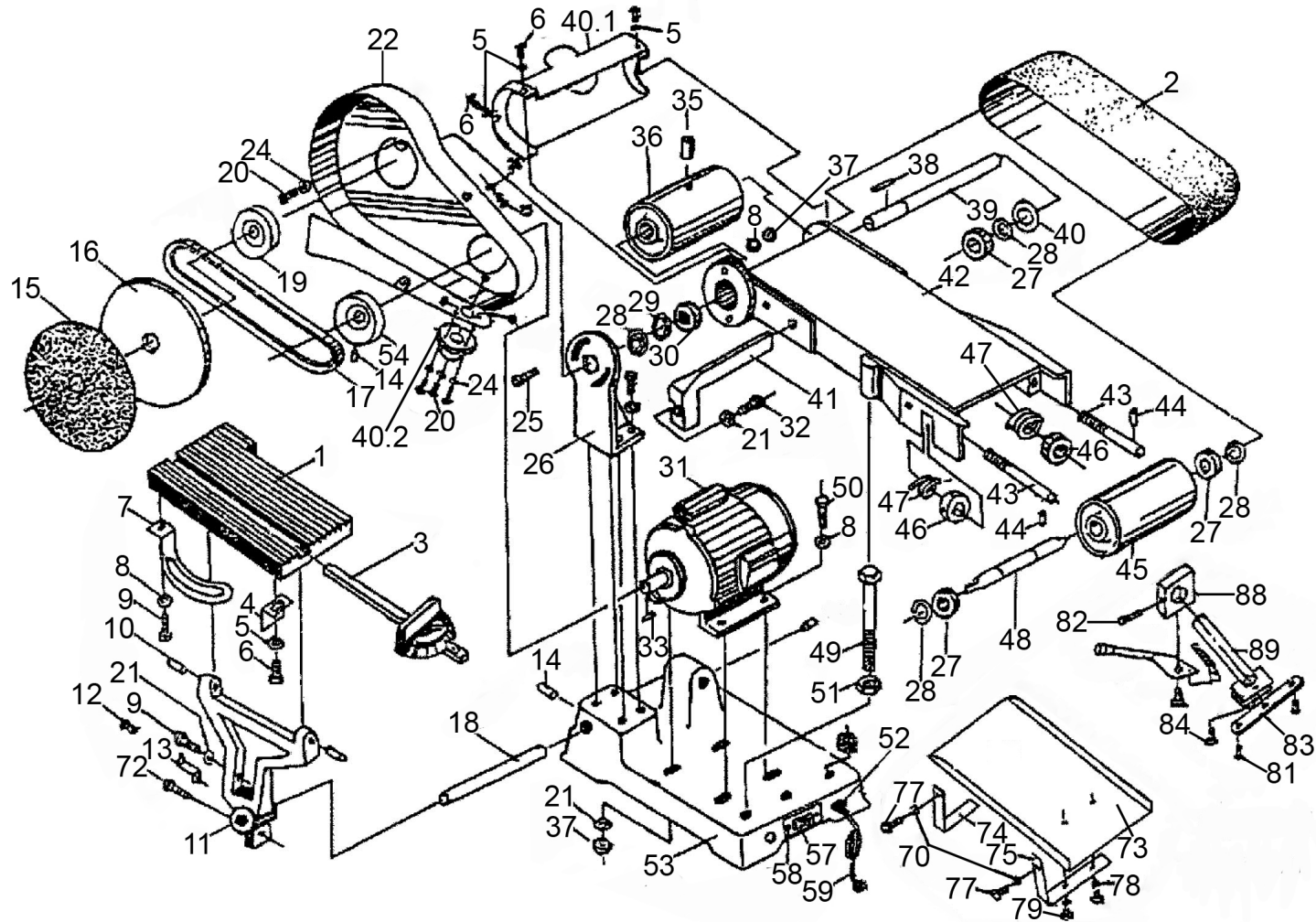




Parts Information:
Belt/Disc Sander Floor Standing 1220 x 150mm/Ø230mm
Model No: SM15.V2



NOTE: It is our policy to continually improve products and as such we reserve the right to alter data, specifications and component parts without prior notice.

There may be alternative versions of this product, please contact us should you require this information.

IMPORTANT: No liability is accepted for incorrect use of product. Spare parts must be fitted by a competent person

WARRANTY: Guarantee is 12 months from purchase date, proof of which will be required for any claim.

Sealey Group, Kempson Way, Suffolk Business Park, Bury St Edmunds, Suffolk. IP32 7AR



01284 757500



01284 703534



sales@sealey.co.uk



www.sealey.co.uk



Parts Information:
**Belt/Disc Sander Floor Standing 1220 x
150mm/Ø230mm**
Model No: SM15.V2

| Item | Part No. | Description |
|------|-------------|---|
| 1 | SM15C/01 | Table |
| 2 | SM15/B080G | Sanding Belt 80G |
| 3 | SM15C/03 | Mitre Gauge |
| 4 | SM15C/04 | Table Mount |
| 5 | SM15C/05 | Washer 5mm |
| 6 | MSP56.S | Machine Screw Pan Head Phillips M5 x 6mm |
| 7 | SM15C/07 | Angle Gauge |
| 8 | FWM8.S | Flat Washer M8 |
| 9 | SS820.S | Hex Head Set Screw M8 x 20mm |
| 10 | SM15C/10 | Pin |
| 11 | SM15C/11 | Table Support Bracket |
| 12 | MSP512.S | Machine Screw Pan Head Phillips M5 x 12mm |
| 13 | SM15C/13 | Pointer |
| 14 | SM15C/14 | Grub Screw, Slotted M8 x 12mm |
| 15 | SM15/D80G-9 | Disc 80G |
| 16 | SM15C/16 | Aluminium Backing Pad |
| 17 | V/A25 | V-Belt |
| 18 | SM15C/18 | Support Bar |
| 19 | SM15C/19 | Pulley |
| 20 | SS812.S | Hex Head Set Screw M8 x 12mm |
| 21 | SWM8.SB | Spring Washer M8 Black |
| 22 | SM15C/22 | Pulley Cover |
| 24 | SM15C/24 | Washer M5 |
| 25 | MSP612.S | Machine Screw Pan Head Phillips M6 x 12mm |
| 26 | SM15C/26 | Bracket |
| 27 | B/6201Z | Bearing |
| 28 | GSA07.41 | Circlip |

| Item | Part No. | Description |
|------|------------|---------------------------|
| 29 | SM15C/29 | Circlip |
| 30 | B/6202ZZ | Bearing |
| 31 | SM15C/31 | Motor |
| 32 | SM15C/32 | Screw M8 x 25mm |
| 33 | SM15C/33 | Key |
| 35 | GSM820.S | Grub Screw M8 x 20mm |
| 36 | SM15C/36 | Drive Roller |
| 37 | SN8.S | Steel Nut M8 |
| 38 | SM15C/38 | Woodruff Key |
| 39 | SM15C/39 | Driving Roller Shaft |
| 40 | SM15C/40 | Safety Cover |
| 40.1 | SM15C/40.1 | Cover, Drive Roller |
| 40.2 | SM15C/40.2 | Disc, Dust Chute |
| 41 | SM15C/41 | Back Stop |
| 42 | SM15C/42 | Frame, Sand Belt |
| 43 | SM15C/43 | Adjust Bar, Roller |
| 44 | SM15C/44 | Spring Pin |
| 45 | SM15C/45 | Idler Roler |
| 46 | SM15C/46 | Knob |
| 47 | SM15C/47 | Spring |
| 48 | SM15C/48 | Idler Roller Shaft |
| 49 | SM15C/49 | Support Bolt M16 x 220mmm |
| 50 | SM15C/50 | Bolt M8 x 30mm |
| 51 | SN16.S | Steel Nut M16 |
| 52 | SM15C/52 | Cord Clamp |
| 53 | SM15C/53 | Base |
| 54 | SM15C/54 | Pulley |

NOTE: It is our policy to continually improve products and as such we reserve the right to alter data, specifications and component parts without prior notice. There may be alternative versions of this product, please contact us should you require this information.

IMPORTANT: No liability is accepted for incorrect use of product. Spare parts must be fitted by a competent person

WARRANTY: Guarantee is 12 months from purchase date, proof of which will be required for any claim.

Sealey Group, Kempson Way, Suffolk Business Park, Bury St Edmunds, Suffolk. IP32 7AR



01284 757500



01284 703534



sales@sealey.co.uk



www.sealey.co.uk



Parts Information:
Belt/Disc Sander Floor Standing 1220 x
150mm/Ø230mm
Model No: SM15.V2

| Item | Part No. | Description |
|------|-----------|---|
| 57 | SM15C/57 | Power Switch |
| 58 | SM15C/58 | Screw |
| 59 | SM15C/59 | Power Cord |
| 70 | RW825.S | Repair Washer M8 x 25mm |
| 72 | SCB820.SB | Socket Cap Bolt M8 x 20mm Black |
| 73 | SM15C/73 | Plate |
| 74 | SM15C/74 | Support |
| 75 | SM15C/75 | Support |
| 77 | SM15C/77 | Screw M8 x 12mm |
| 78 | RW619.S | Repair Washer M6 x 19mm |
| 79 | SM15C/79 | Knob |
| 81 | MSP518.S | Machine Screw Pan Head Phillips M5 x 18mm |
| 82 | SS1050.S | Hex Head Set Screw M10 x 50mm |
| 83 | SM15C/83 | Rock Arm |
| 84 | SM15C/84 | Knob |
| 88 | SN10.S | Steel Nut M10 Zinc |
| 89 | SM15C/89 | Tube |

| Item | Part No. | Description |
|------|------------|--|
| -- | SS832.S | Hex Head Set Screw M8 x 32mm (Not Shown) |
| -- | SM15C/34 | Tube (Not Shown) |
| -- | SM15C/55 | Hex Wrench (Not Shown) |
| -- | SM15C/56 | Hex Wrench (Not Shown) |
| -- | SM15C.57-1 | Housing, Switch (Not Shown) |
| -- | SM15C/60 | Roller Adjust Body (Not Shown) |
| -- | SM15C/61 | Stand (Not Shown) |
| -- | SM15C/62 | Stand Plate (Not Shown) |
| -- | CBN810.S | Coach Bolt M8 x 10mm (Not Shown) |
| -- | SM15C/64 | Rubber (Not Shown) |
| -- | SS825.S | Hex Head Set Screw M8 x 25mm (Not Shown) |
| -- | SM15C/69 | Frame (Not Shown) |
| -- | SS816.S | Hex Head Set Screw M8 x 16mm (Not Shown) |
| -- | SM15C/80 | Washer M5 (Not Shown) |
| -- | SM15C.S | Stand Assembly (Not Shown) |
| -- | SM15/B100G | Sanding Belt 100G (Not Shown) |
| -- | C/150-250 | Capacitor (Not Shown) |

NOTE: It is our policy to continually improve products and as such we reserve the right to alter data, specifications and component parts without prior notice. There may be alternative versions of this product, please contact us should you require this information.

IMPORTANT: No liability is accepted for incorrect use of product. Spare parts must be fitted by a competent person

WARRANTY: Guarantee is 12 months from purchase date, proof of which will be required for any claim.

Sealey Group, Kempson Way, Suffolk Business Park, Bury St Edmunds, Suffolk. IP32 7AR



01284 757500



01284 703534



sales@sealey.co.uk



www.sealey.co.uk