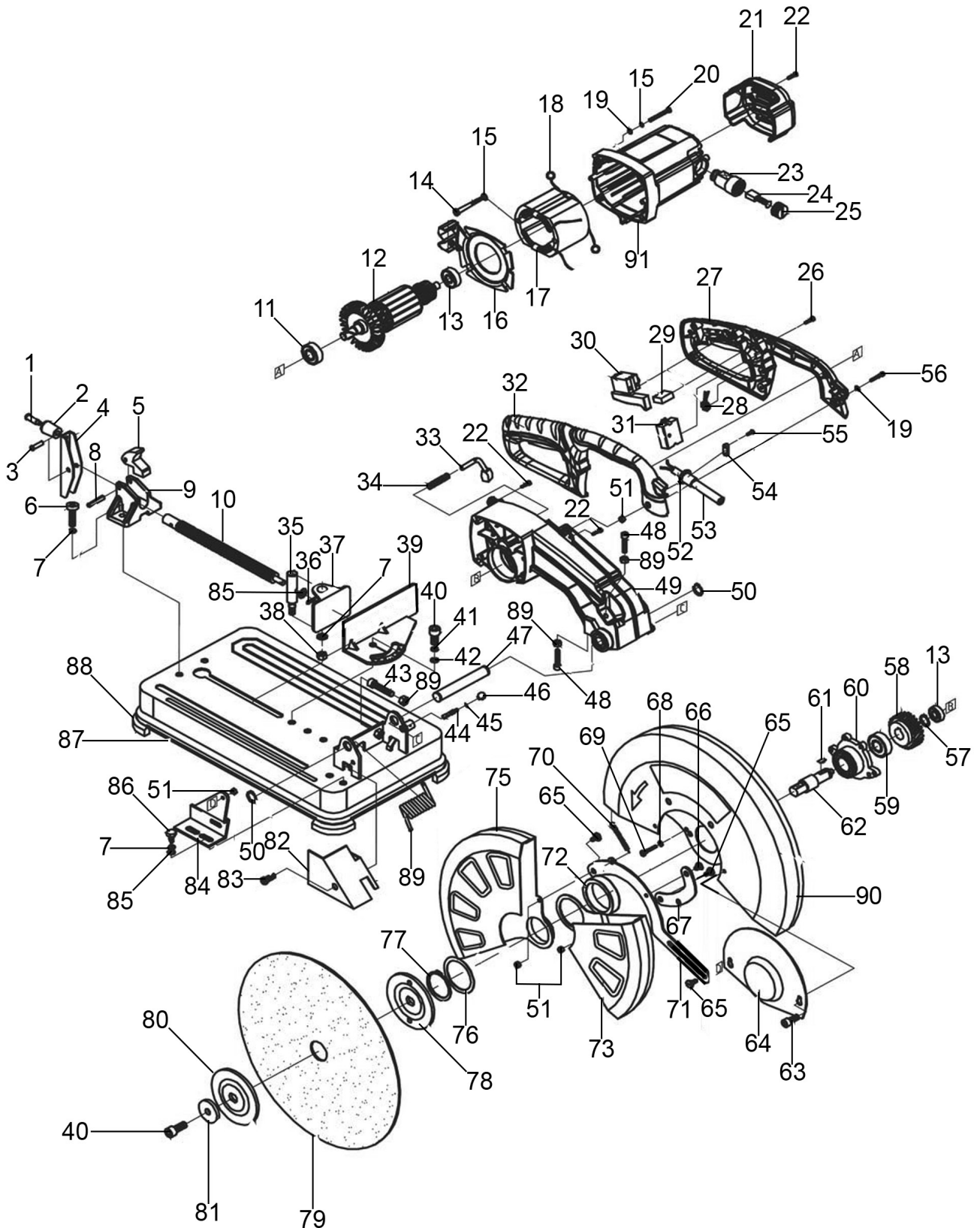


Parts Information:  
**Cut-Off Saw Ø355mm 110V Abrasive Disc  
 Portable  
 Model No: SM355D110V**



**NOTE:** It is our policy to continually improve products and as such we reserve the right to alter data, specifications and component parts without prior notice. There may be alternative versions of this product, please contact us should you require this information.

**IMPORTANT:** No liability is accepted for incorrect use of product. Spare parts must be fitted by a competent person

**WARRANTY:** Guarantee is 12 months from purchase date, proof of which will be required for any claim.



Parts Information:  
Cut-Off Saw Ø355mm 110V Abrasive Disc  
Portable  
Model No: SM355D110V

Item	Part No.	Description
1	SM355D.01	Radial Rivet A
2	SM355D.02	Bead, Handle Pivot
3	SM355D.03	Radial Rivet B
4	SM355D.04	Pivot, Handle
5	SM355D.05	Movable Nut
6	SCB830.S	Socket Cap Bolt M8 x 30mm
7	SWM8.S	Spring Washer M8
8	SM355D.08	Spring Pin
9	SM355D.09	Body, Clamping Nut
10	SM355D.10	Clamping Screw
11	B/6202ZZ	Bearing
12	SM355D110V.12	Armature
13	B/6000ZZ	Bearing
14	SM355D.14	Rd Head S/T Screw M4.6 x 85mm
15	SWM5.SB	Spring Washer M5 Black
16	SM355D.16	Air Deflector
17	SM355D110V.17	Stator
18	SM355D110V.18	Terminal (Set of 2)
19	SM355D.19	Flat Washer M5
20	SM355D.20	Screw M5 x 40mm
21	SM355D.21	Rear Cover
22	SM355D.22	Screw ST4.2 x 14mm
23	SM355D110V.23	Brush Holder
24	SM355D110V.24	Carbon Brush
25	SM355D.25	Cover, Carbon Brush
26	PC300SDAV3103	Rd Head S/T Screw M4 x 16mm
27	SM355D.27	Handle, Left
28	SM355D.28	Inductance
29	SM355D.29	Capacitor
30	SM355D110V.30	Switch (c/w Lock Button)
31	SM355D110V.31	Soft Starter
32	SM355D.32	Handle, Right
33	SM355D.33	Movable Pin
34	SM355D.34	Spring
35	SM355D.35	Movable Pin
36	SM355D.36	Cotter Pin
37	SM355D.37	Movable Clamp

Item	Part No.	Description
38	SN8.S	Steel Nut M8
39	SM355D.39	Gauge Plate
40	SCB1020.S	Socket Cap Bolt M10 x 20mm
41	SWM10.SB	Spring Washer M10 Black
42	SM355D.42	Flat Washer
43	SM355D.43	Hex Screw M8 x 45mm
44	SM355D.44	Locking Pin
45	SM355D.45	O Ring
46	SM355D.46	Plastic Ball
47	SM355D.47	Shaft
48	SM355D.48	Hex Screw M8 x 30mm
49	SM355D.49	Cutting Arm
50	MC4500.P5	Circlip
51	SN5.S	Steel Nut M5
52	SM355D110V.52	Plug
53	SM355D.53	Cable Sleeve
54	SM355D.54	Cable Clamp
55	SM355D.55	Screw ST4.2 x 14mm
56	SM355D.56	Screw M5 x 30mm
57	SM355B.40	Circlip
58	SM355D.58	Gear
59	B/6203ZZ	Bearing
60	SM355D.60	Bearing Seat
61	SM355D.61	Woodruff Key
62	SM355D.62	Spindle
63	SM355D.63	Hex Screw M6 x 8mm
64	SM355D.64	Outer Guard
65	SM355D.65	Screw
66	SM355D.66	Bolt
67	SM355D.67	Connecting Rod A
68	FWM5.S	Flat Washer M5
69	SM355D.69	Screw
70	SM355D.70	Tension Spring
71	SM355D.71	Connecting Rod B
72	SM355D.72	Flange
73	SM355D.73	Protection Cover A
75	SM355D.75	Protection Cover B

**NOTE:** It is our policy to continually improve products and as such we reserve the right to alter data, specifications and component parts without prior notice. There may be alternative versions of this product, please contact us should you require this information.

**IMPORTANT:** No liability is accepted for incorrect use of product. Spare parts must be fitted by a competent person

**WARRANTY:** Guarantee is 12 months from purchase date, proof of which will be required for any claim.

Sealey Group, Kempson Way, Suffolk Business Park, Bury St Edmunds, Suffolk. IP32 7AR



01284 757500



01284 703534



sales@sealey.co.uk



www.sealey.co.uk



Parts Information:  
Cut-Off Saw Ø355mm 110V Abrasive Disc  
Portable  
Model No: SM355D110V

Item	Part No.	Description
76	SM355D.76	Flat Washer
77	SM355D.77	Circlip
78	SM355D.78	Outer Flange
79	PTC/355C	Cutting Disc
80	SM355D.80	Inner Flange
81	SM355D.81	Bushing
82	SM355D.82	Disc Guard
83	SM355D.83	Hex Screw M6 x 12mm

Item	Part No.	Description
84	SM355D.84	Rod Bracket
85	FWM8.S	Washer
86	SM355D.86	Hex Bolt M8 x 20mm
87	SM355D.87	Base
88	SM355D.88	Rubber Foot
89	SM355D.89	Torsion Spring
90	SM355D.90	Guard
91	SM355D.91	Motor Housing

**NOTE:** It is our policy to continually improve products and as such we reserve the right to alter data, specifications and component parts without prior notice. There may be alternative versions of this product, please contact us should you require this information.

**IMPORTANT:** No liability is accepted for incorrect use of product. Spare parts must be fitted by a competent person

**WARRANTY:** Guarantee is 12 months from purchase date, proof of which will be required for any claim.

Sealey Group, Kempson Way, Suffolk Business Park, Bury St Edmunds, Suffolk. IP32 7AR



01284 757500



01284 703534



sales@sealey.co.uk



www.sealey.co.uk