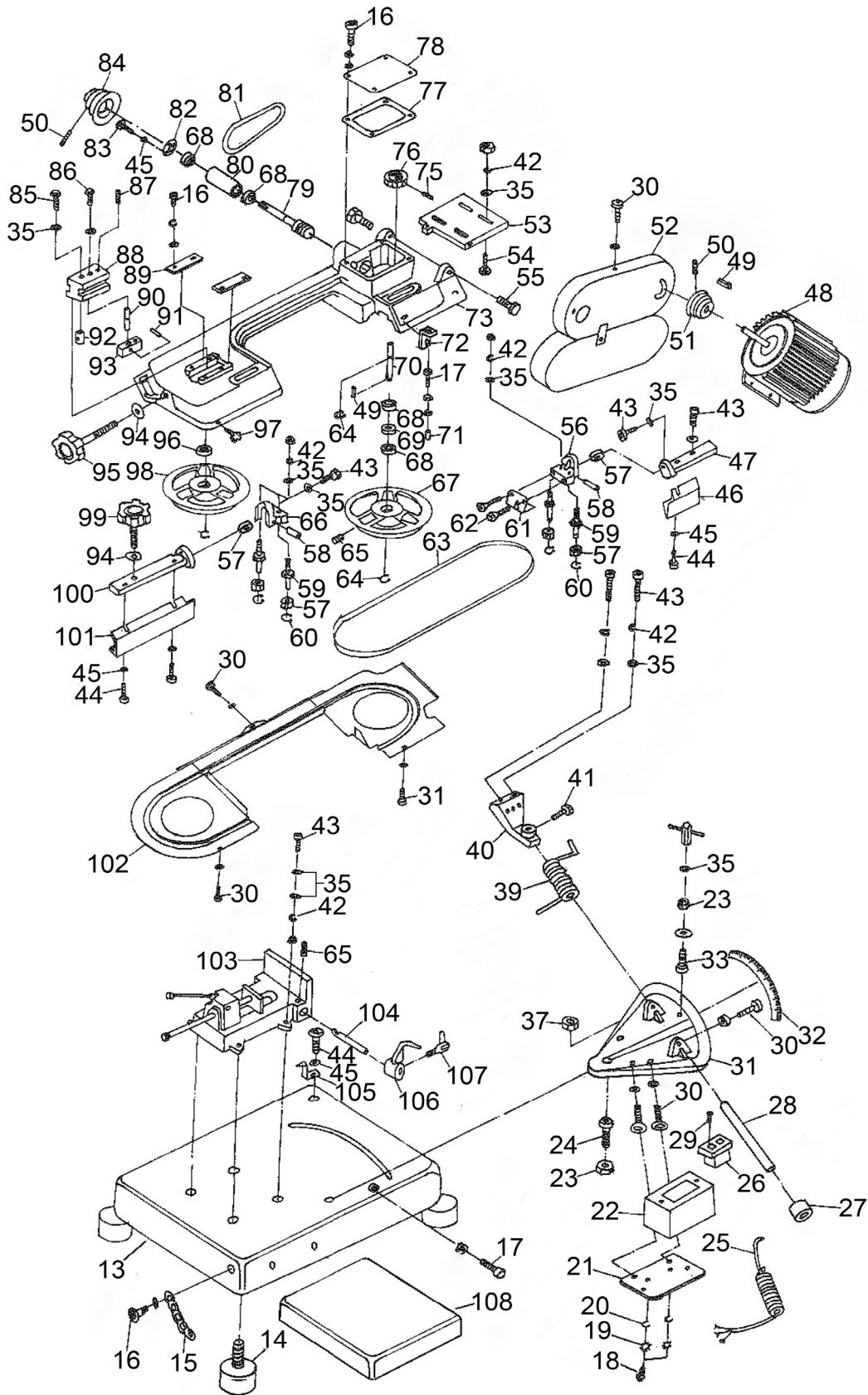


Parts Information:
**Metal Cutting Bandsaw 150mm 230V with
 Mitre & Quick Lock Vice**
Model No: SM65.V2



NOTE: It is our policy to continually improve products and as such we reserve the right to alter data, specifications and component parts without prior notice. There may be alternative versions of this product, please contact us should you require this information.

IMPORTANT: No liability is accepted for incorrect use of product. Spare parts must be fitted by a competent person

WARRANTY: Guarantee is 12 months from purchase date, proof of which will be required for any claim.



Parts Information:
**Metal Cutting Bandsaw 150mm 230V with
 Mitre & Quick Lock Vice
 Model No: SM65.V2**

| Item | Part No. | Description |
|------|-------------|--------------------------------|
| 13 | SM65.V2-013 | Work Table |
| 14 | SM65.V2-014 | Pad |
| 15 | SM65.V2-015 | Chain |
| 16 | SM65.V2-016 | Screw |
| 17 | SM65.V2-017 | Screw |
| 18 | SM65.V2-018 | Screw |
| 19 | SM65.V2-019 | Star Washer |
| 20 | SM65.V2-020 | Spring Washer |
| 21 | SM65.V2-021 | Plate |
| 22 | SM65.V2-022 | Terminal Box |
| 23 | NLN10.S | Nyloc Nut M10 |
| 24 | SM65.V2-024 | Hex Bolt |
| 25 | SM65.V2-025 | Power Cord Assembly |
| 26 | SM65.V2-026 | Power Switch |
| 27 | SM65.V2-027 | Tube |
| 28 | SM65.V2-028 | Connecting Axle |
| 29 | SM65.V2-029 | Rd Head S/T Screw M3.6 x 10mm |
| 30 | SCB46.SB | Socket Cap Bolt M4 x 6mm Black |
| 31 | SM65.V2-031 | Bevel Holder |
| 32 | SM65.V2-032 | Angle Label |
| 33 | SM65.V2-033 | Bolt |
| 35 | SM65.V2-035 | Washer |
| 37 | SM65.V2-037 | Nut |
| 39 | SM65.V2-039 | Spring |
| 40 | SM65.V2-040 | Connecting plate |
| 41 | SS820.S | Hex Head Set Screw M8 x 20mm |
| 42 | SM65.V2-042 | Spring Washer |
| 43 | SM65.V2-043 | Screw |
| 44 | SM65.V2-044 | Screw |
| 45 | SM65.V2-045 | Washer |
| 46 | SM65.V2-046 | Lower Guard Plate |
| 47 | SM65.V2-047 | Adjusting Holder, Lower |

| Item | Part No. | Description |
|------|-------------|-------------------------------|
| 48 | SM65.V2-048 | Motor |
| 49 | SM65.V2-049 | Woodruff Key |
| 50 | GSM68.S | Grub Screw M6 x 8mm |
| 51 | SM65.V2-051 | Pulley |
| 52 | SM65.V2-052 | Pulley Cover |
| 53 | SM65.V2-053 | Motor Plate |
| 54 | SM65.V2-054 | Bolt |
| 55 | SS1225.S | Hex Head Set Screw M12 x 25mm |
| 56 | SM65.V2-056 | Guard Holder, Lower |
| 57 | B/629ZZ | Bearing |
| 58 | SM65.V2-058 | Key |
| 59 | SM65.V2-059 | Key |
| 60 | SM65.V2-060 | Circlip |
| 61 | SM65.V2-061 | Blade Plate |
| 62 | SM65.V2-062 | Screw |
| 63 | SM5/113 | Blade 14TPI |
| 64 | GSA07.41 | Circlip |
| 65 | GSM810.S | Grub Screw M8 x 10mm |
| 66 | SM65.V2-066 | Guard Holder, Upper |
| 67 | SM65.V2-067 | Wheel, Blade Drive |
| 68 | B/6202ZZ | Bearing |
| 69 | SM65.V2-069 | Seal Ring |
| 70 | SM65.V2-070 | Shaft |
| 71 | SM65.V2-071 | Plastic Cap |
| 72 | SM65.V2-072 | Pressing Bracket |
| 73 | SM65.V2-073 | Machine Body |
| 75 | SM65.V2-075 | Screw |
| 76 | SM65.V2-076 | Worm Gear |
| 77 | SM65.V2-077 | Seal Pad |
| 78 | SM65.V2-078 | Cover |
| 79 | SM65.V2-079 | Worm Shaft |
| 80 | SM65.V2-080 | Tube |

NOTE: It is our policy to continually improve products and as such we reserve the right to alter data, specifications and component parts without prior notice. There may be alternative versions of this product, please contact us should you require this information.

IMPORTANT: No liability is accepted for incorrect use of product. Spare parts must be fitted by a competent person

WARRANTY: Guarantee is 12 months from purchase date, proof of which will be required for any claim.

Sealey Group, Kempson Way, Suffolk Business Park, Bury St Edmunds, Suffolk. IP32 7AR



01284 757500



01284 703534



sales@sealey.co.uk



www.sealey.co.uk



Parts Information:
**Metal Cutting Bandsaw 150mm 230V with
Mitre & Quick Lock Vice
Model No: SM65.V2**

| Item | Part No. | Description |
|------|-------------|---------------------------------|
| 81 | V/A21 | V-Belt |
| 82 | SM65.V2-082 | Capacitor Cover |
| 83 | SM65.V2-083 | Screw |
| 84 | SM65.V2-084 | Pulley |
| 85 | SCB830.SB | Socket Cap Bolt M8 x 30mm Black |
| 86 | SM65.V2-086 | Skt. Hd Bolt M8 x 16mm |
| 87 | SM65.V2-087 | Screw |
| 88 | SM65.V2-088 | Sliding Bracket |
| 89 | SM65.V2-089 | Plate |
| 90 | SM65.V2-090 | Shaft |
| 91 | SM65.V2-091 | Pin |
| 92 | SM65.V2-092 | Lift Plate |
| 93 | SM65.V2-093 | Adjusting Plate |
| 94 | SM65.V2-094 | Washer |
| 95 | SM65.V2-095 | Tension Knob |
| 96 | B/6902-2RS | Bearing |
| 97 | SM65.V2-097 | Locking Knob |

| Item | Part No. | Description |
|------|---------------|----------------------------|
| 98 | SM65.V2-098 | Idle Wheel, Blade |
| 99 | SM65.V2-099 | Knob |
| 100 | SM65.V2-100 | Adjust Bracket, Upper |
| 101 | SM65.V2-101 | Guard Cover, Upper |
| 102 | SM65.V2-102 | Cover |
| 103 | SM65.V2-103 | Vice |
| 104 | SM65.V2-104 | Fence |
| 105 | SM65.V2-105 | Pointer |
| 106 | SM65.V2-106 | Position Bracket |
| 107 | SM65.V2-107 | Knob, Locking |
| 108 | SM65.V2-108 | Table Extension |
| -- | SM65.V2-01-12 | Stand Assembly (Not Shown) |
| -- | SM5/113/6 | Blade 6TPI (Not Shown) |
| -- | SM5/113/10 | Blade 10TPI (Not Shown) |
| -- | SM5/113/24 | Blade 24TPI (Not Shown) |
| -- | B/6902ZZ | Bearing 6902zz (Not Shown) |

NOTE: It is our policy to continually improve products and as such we reserve the right to alter data, specifications and component parts without prior notice. There may be alternative versions of this product, please contact us should you require this information.

IMPORTANT: No liability is accepted for incorrect use of product. Spare parts must be fitted by a competent person

WARRANTY: Guarantee is 12 months from purchase date, proof of which will be required for any claim.

Sealey Group, Kempson Way, Suffolk Business Park, Bury St Edmunds, Suffolk. IP32 7AR



01284 757500



01284 703534



sales@sealey.co.uk



www.sealey.co.uk