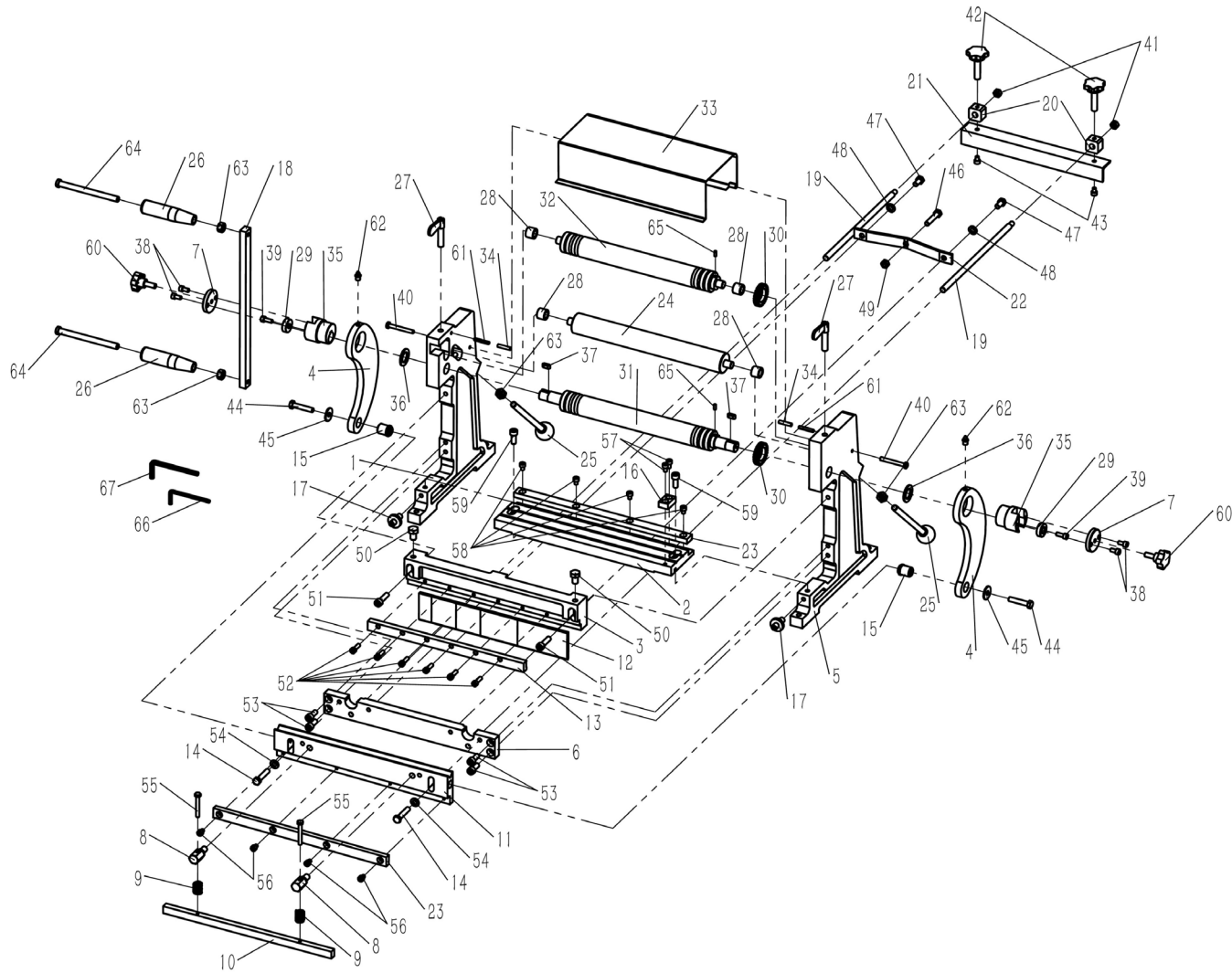




Parts Information:
3-in-1 Sheet Metal Machine 305mm
Model No: TIO305



NOTE: It is our policy to continually improve products and as such we reserve the right to alter data, specifications and component parts without prior notice.

There may be alternative versions of this product, please contact us should you require this information.

IMPORTANT: No liability is accepted for incorrect use of product. Spare parts must be fitted by a competent person

WARRANTY: Guarantee is 12 months from purchase date, proof of which will be required for any claim.

Sealey Group, Kempson Way, Suffolk Business Park, Bury St Edmunds, Suffolk. IP32 7AR



01284 757500



01284 703534



sales@sealey.co.uk



www.sealey.co.uk



Parts Information:
3-in-1 Sheet Metal Machine 305mm
Model No: TIO305

Item	Part No.	Description
1	TIO305.01	Upright, Left Side
2	TIO305.02	Workbench
3	TIO305.03	Cross Beam
4	TIO305.04	Crank Arm
5	TIO305.05	Upright, Right Side
6	TIO305.06	Press Plate Frame
7	TIO305.07	Clamp Bolt Cover
8	TIO305.08	Press Plate Bracket
9	TIO305.09	Tension Spring
10	TIO305.10	Press Plate
11	TIO305.11	Moveable Cutter Plate
12	TIO305.12-1	25mm/1" Finger
12	TIO305.12-2	50mm/2" Finger
12	TIO305.12-3	76mm/3" Finger
12	TIO305.12-4	102mm/4" Finger
13	TIO305.13	Press Plate
14	SS640.S	Hex Head Set Screw M6 X 40 Zinc
15	TIO305.15	Roller Guide Wheel
16	TIO305.16	Guide for Workbench
17	TIO305.17	Adjustable Bolt
18	TIO305.18	Handle
19	TIO305.19	Positioning Rod
20	TIO305.20	Positioning Block
21	TIO305.21	Positioning Plate
22	TIO305.22	Support Plate
23	TIO305.23	Blade
24	TIO305.24	Roller Press (Middle)
25	TIO305.25	Roller Adjustment Bar (c/w Knob)
26	TIO305.26	Handle Knob
27	TIO305.27	Adjustable Thumb Screw
28	TIO305.28	Roller Bush
29	TIO305.29	Eccentric Shaft Washer
30	TIO305.30	Toothed Gear
31	TIO305.31	Roller Press (Lower)
32	TIO305.32	Roller Press (Upper)

Item	Part No.	Description
33	TIO305.33	Roller Press Cover
34	TIO305.34	Hose (PVC)
35	TIO305.35	Eccentric Shaft
36	TIO305.36	Washer
37	TIO305.37	Woodruff Key
38	SCB612.SB	Socket Cap Bolt M6 x 12mm
39	SCB616.SB	Socket Cap Bolt M6 x 16mm
40	HHB650.S	Hex Head Bolt M6 x 50mm
41	SN8.S	Steel Nut M8 Zinc
42	TIO305.42	Adjustable Bolt
43	SCB68.SB	Socket Cap Bolt M6 x 8mm Black
44	SS840.S	Hex Head Set Screw M8 X 40 Zinc
45	FWM8.S	Flat Washer M8 Zinc
46	TIO305.46	Hex Head Bolt M8 x 40
47	TIO305.47	Hex Head Bolt M8 x 16
48	FWM8.S	Flat Washer M8 Zinc
49	SN8.S	Steel Nut M8 Zinc
50	SS1016.SB	Hex Head Set Screw M10 X 16 Black
51	SCB830.SB	Socket Cap Bolt M8 x 30mm Black
52	SCB625.SB	Socket Cap Bolt M6 x 25mm Black
53	SCB820.S	Socket Cap Bolt M8 x 20mm
54	FWM8.S	Flat Washer M8 Zinc
55	SS645.S	Hex Head Set Screw M6 X 45 Zinc
56	SCB68.SB	Socket Cap Bolt M6 x 8mm Black
57	SCB610.SB	Socket Cap Bolt M6 X 10mm Black
58	SCB68.SB	Socket Cap Bolt M6 x 8mm Black
59	SCB820.S	Socket Cap Bolt M8 x 20mm
60	TIO305.60	Adjustable Clamping Bolt
61	TIO760.68	Stop Pin
62	TIO760.62	Grease Nipple
63	SN10.S	Steel Nut M10 Zinc
64	TIO305.64	Hex Head Set Screw M10 x 125
65	TIO760.68	Stop Pin
66	TIO760.65	Hex Key Wrench 5mm
67	TIO760.66	Hex Key Wrench 6mm

NOTE: It is our policy to continually improve products and as such we reserve the right to alter data, specifications and component parts without prior notice. There may be alternative versions of this product, please contact us should you require this information.

IMPORTANT: No liability is accepted for incorrect use of product. Spare parts must be fitted by a competent person

WARRANTY: Guarantee is 12 months from purchase date, proof of which will be required for any claim.

Sealey Group, Kempson Way, Suffolk Business Park, Bury St Edmunds, Suffolk. IP32 7AR



01284 757500



01284 703534



sales@sealey.co.uk



www.sealey.co.uk