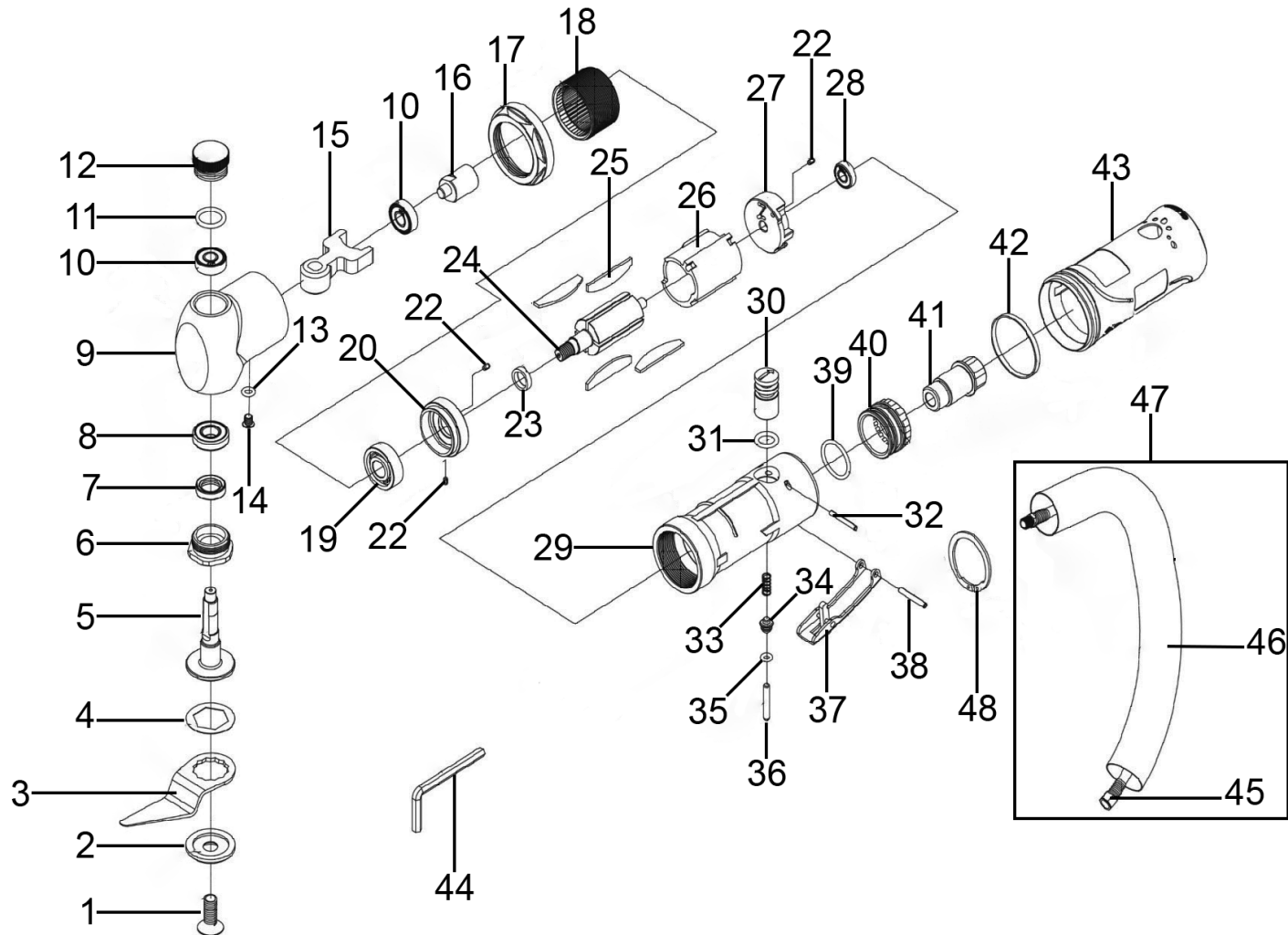




Parts Information:  
**Air Knife**  
**Model No: WK025.V2**



**NOTE:** It is our policy to continually improve products and as such we reserve the right to alter data, specifications and component parts without prior notice.

There may be alternative versions of this product, please contact us should you require this information.

**IMPORTANT:** No liability is accepted for incorrect use of product. Spare parts must be fitted by a competent person

**WARRANTY:** Guarantee is 12 months from purchase date, proof of which will be required for any claim.

Sealey Group, Kempson Way, Suffolk Business Park, Bury St Edmunds, Suffolk. IP32 7AR



01284 757500



01284 703534



sales@sealey.co.uk



www.sealey.co.uk



Parts Information:  
**Air Knife**  
**Model No: WK025.V2**

| Item | Part No.    | Description      |
|------|-------------|------------------|
| 1    | WK025.V2-01 | Screw            |
| 2    | WK025.V2-02 | Retainer         |
| 3    | WK025.V2-03 | Blade            |
| 4    | WK025.V2-04 | Packing          |
| 5    | WK025.V2-05 | Drive, Spindle   |
| 6    | WK025.V2-06 | Nut Clamp        |
| 7    | WK025.V2-07 | Oil Seal         |
| 8    | B/6900ZZ    | Bearing          |
| 9    | WK025.V2-09 | Head             |
| 10   | B/607ZZ     | Bearing          |
| 11   | WK025.V2-11 | O-Ring           |
| 12   | WK025.V2-12 | Plug             |
| 13   | SA77S.V4-19 | O-Ring           |
| 14   | WK025.V2-14 | Screw            |
| 15   | WK025.V2-15 | Fork Drive       |
| 16   | WK025.V2-16 | Shaft Crank      |
| 17   | WK025.V2-17 | Coupling Nut     |
| 18   | WK025.V2-18 | Gear             |
| 19   | B/6000      | Bearing          |
| 20   | WK025.V2-20 | End Plate, Front |
| 22   | WK025.V2-22 | Spring Pin       |
| 23   | WK025.V2-23 | Spacer, Bearing  |
| 24   | WK025.V2-24 | Rotor            |
| 25   | WK025.V2-25 | Rotor Blade Set  |

| Item | Part No.    | Description       |
|------|-------------|-------------------|
| 26   | WK025.V2-26 | Cylinder          |
| 27   | WK025.V2-27 | End Plate, Rear   |
| 28   | B/626       | Bearing           |
| 29   | WK025.V2-29 | Housing, Motor    |
| 30   | WK025.V2-30 | Air Regulator     |
| 31   | WK025.V2-31 | O-Ring            |
| 32   | WK025.V2-32 | Spring Pin        |
| 33   | WK025.V2-33 | Valve Spring      |
| 34   | WK025.V2-34 | Valve, Throttle   |
| 35   | SA912.V2-04 | O-Ring            |
| 36   | WK025.V2-36 | Shaft, Valve      |
| 37   | WK025.V2-37 | Safety Lever      |
| 38   | WK025.V2-38 | Spring Pin        |
| 39   | WK025.V2-39 | O-Ring            |
| 40   | WK025.V2-40 | Sleeve, Exhaust   |
| 41   | WK025.V2-41 | Inlet Bushing     |
| 42   | WK025.V2-42 | Rubber Band       |
| 43   | WK025.V2-43 | Housing Cover     |
| 44   | WK025.V2-44 | Hex Key 3/16"     |
| 45   | WK025.V2-45 | Air Hose Assembly |
| 46   | WK025.V2-46 | Sponge            |
| 47   | WK025.V2-47 | Exhaust Hose      |
| 48   | WK025.V2-48 | Snap Ring         |

**NOTE:** It is our policy to continually improve products and as such we reserve the right to alter data, specifications and component parts without prior notice. There may be alternative versions of this product, please contact us should you require this information.

**IMPORTANT:** No liability is accepted for incorrect use of product. Spare parts must be fitted by a competent person

**WARRANTY:** Guarantee is 12 months from purchase date, proof of which will be required for any claim.

**Sealey Group**, Kempson Way, Suffolk Business Park, Bury St Edmunds, Suffolk. IP32 7AR



01284 757500



01284 703534



sales@sealey.co.uk



www.sealey.co.uk