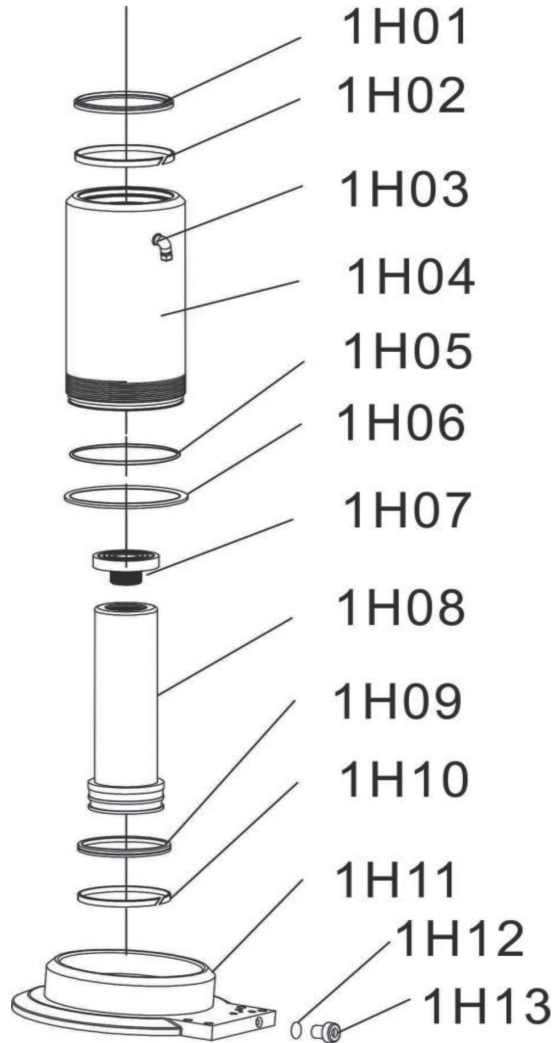




Parts Information:  
**Air Operated Jack 30tonne - Single Stage  
 High Lift**  
**Model No: YAJ30H.V2**



Item	Part No.	Description
1H01	YAJ30H.1H01	Dustproof Ring
1H02	YAJ30H.1H02	Guide Ring
1H03	YAJ30H.1H03	Elbow
1H04	YAJ30H.1H04	Outer Sleeve
1H05	YAJ30H.1H05	O-Ring
1H06	YAJ30H.1H06	Locking Ring
1H07	YAJ30H.1H07	Top Cover

Item	Part No.	Description
1H08	YAJ30H.1H08	Piston
1H09	YAJ30H.1H09	Seal
1H10	YAJ30H.1H10	Guide Ring
1H11	YAJ30H.1H11	Base
1H12	YAJ30H.1H12	O-Ring
1H13	YAJ30H.1H13	Screw

**NOTE:** It is our policy to continually improve products and as such we reserve the right to alter data, specifications and component parts without prior notice.

**IMPORTANT:** No liability is accepted for incorrect use of product.

**WARRANTY:** Guarantee is 12 months from purchase date, proof of which will be required for any claim.

**Sealey Group**, Kempson Way, Suffolk Business Park, Bury St Edmunds, Suffolk. IP32 7AR



01284 757500



01284 703534



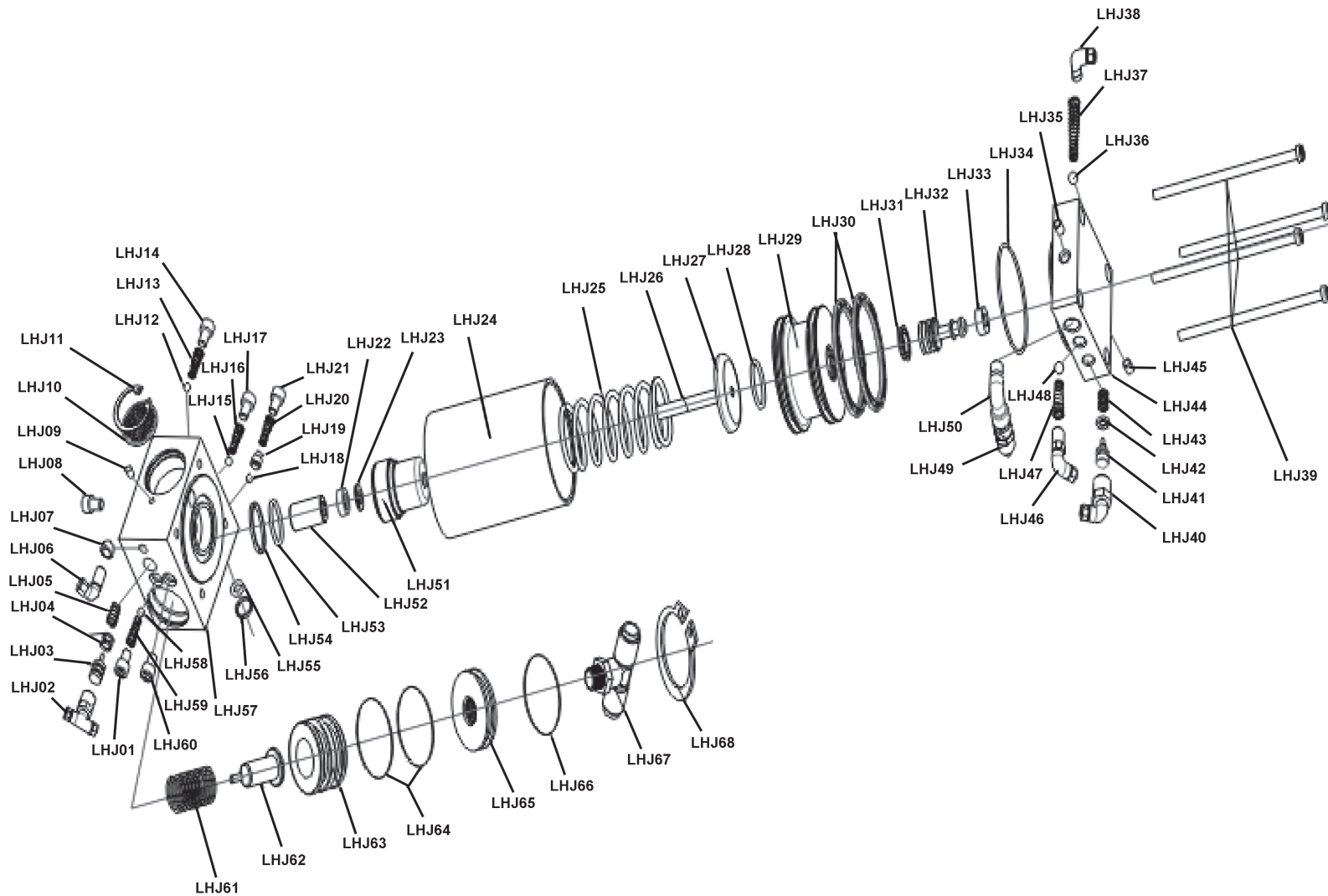
sales@sealey.co.uk



www.sealey.co.uk



Parts Information:  
Air Operated Jack 30tonne - Single Stage High Lift  
Model No: YAJ30H.V2



**NOTE:** It is our policy to continually improve products and as such we reserve the right to alter data, specifications and component parts without prior notice.

**IMPORTANT:** No liability is accepted for incorrect use of product.

**WARRANTY:** Guarantee is 12 months from purchase date, proof of which will be required for any claim.

Sealey Group, Kempson Way, Suffolk Business Park, Bury St Edmunds, Suffolk. IP32 7AR



01284 757500



01284 703534



sales@sealey.co.uk



www.sealey.co.uk



Parts Information:  
**Air Operated Jack 30tonne - Single Stage  
High Lift**  
**Model No: YAJ30H.V2**

Item	Part No.	Description
LHJ01	FUSN-LHJ01	Csk Socket Machine Screw
LHJ02	FUSN-LHJ02	T-Piece Adaptor
LHJ03	FUSN-LHJ03	Piston
LHJ04	FUSN-LHJ04	O-Ring for Piston
LHJ05	FUSN-LHJ05	Spring
LHJ06	FUSN-LHJ06	Elbow
LHJ07	FUSN-LHJ07	Filter
LHJ08	FUSN-LHJ08	Csk Socket Machine Screw
LHJ09	FUSN-LHJ09	Grub Screw
LHJ10	FUSN-LHJ10	Silencer
LHJ11	FUSN-LHJ11	Clamp Ring
LHJ12	FUSN-LHJ12	Steel Ball
LHJ13	FUSN-LHJ13	Spring
LHJ14	FUSN-LHJ14	Csk Socket Machine Screw
LHJ15	FUSN-LHJ15	Steel Ball
LHJ16	FUSN-LHJ16	Spring
LHJ17	FUSN-LHJ17	Csk Socket Machine Screw
LHJ18	FUSN-LHJ18	Steel Ball
LHJ19	FUSN-LHJ19	Steel Ball Base
LHJ20	FUSN-LHJ20	Spring
LHJ21	FUSN-LHJ21	Csk Socket Machine Screw
LHJ22	FUSN-LHJ22	Seal Ring
LHJ23	FUSN-LHJ23	Locking Ring
LHJ24	FUSN-LHJ24	Air Cylinder
LHJ25	FUSN-LHJ25	Spring
LHJ26	FUSN-LHJ26	Plunger Rod
LHJ27	FUSN-LHJ27	Plunger Cover
LHJ28	FUSN-LHJ28	O-Ring
LHJ29	FUSN-LHJ29	Piston
LHJ30	FUSN-LHJ30	PacKing Seal
LHJ31	FUSN-LHJ31	Z8 Seal
LHJ32	FUSN-LHJ32	Piston
LHJ33	FUSN-LHJ33	Rubber Cap
LHJ34	FUSN-LHJ34	O-Ring

Item	Part No.	Description
LHJ35	FUSN-LHJ35	Grub Screw
LHJ36	FUSN-LHJ36	Steel Ball
LHJ37	FUSN-LHJ37	Spring for Elbow
LHJ38	FUSN-LHJ38	Elbow
LHJ39	FUSN-LHJ39	Machine Screw Pan Head Phillips
LHJ40	FUSN-LHJ40	Elbow
LHJ41	FUSN-LHJ41	Piston
LHJ42	FUSN-LHJ42	O-Ring for Piston
LHJ43	FUSN-LHJ43	Spring for Piston
LHJ44	FUSN-LHJ44	Air Inlet Valve
LHJ45	FUSN-LHJ45	Grub Screw
LHJ46	FUSN-LHJ46	Elbow
LHJ47	FUSN-LHJ47	Spring for Elbow
LHJ48	FUSN-LHJ48	Steel Ball
LHJ49	FUSN-LHJ49	Safety Valve
LHJ50	FUSN-LHJ50	Elbow
LHJ51	FUSN-LHJ51	Oil Pump
LHJ52	FUSN-LHJ52	Plunger Bushing
LHJ53	FUSN-LHJ53	O-Ring
LHJ54	FUSN-LHJ54	O-Ring
LHJ55	FUSN-LHJ55	O-Ring
LHJ56	FUSN-LHJ56	Locking Ring
LHJ57	FUSN-LHJ57	Check Valve
LHJ58	FUSN-LHJ58	Steel Ball
LHJ59	FUSN-LHJ59	Spring
LHJ60	FUSN-LHJ60	Csk Socket Machine Screw
LHJ61	FUSN-LHJ61	Spring for Oil Drain Piston
LHJ62	FUSN-LHJ62	Oil Drain Bolt
LHJ63	FUSN-LHJ63	Oil Drain Piston
LHJ64	FUSN-LHJ64	O-Ring for Oil Drain Piston
LHJ65	FUSN-LHJ65	End Cover
LHJ66	FUSN-LHJ66	O-Ring
LHJ67	FUSN-LHJ67	T-Piece Adaptor
LHJ68	FUSN-LHJ68	Clamp Ring

**NOTE:** It is our policy to continually improve products and as such we reserve the right to alter data, specifications and component parts without prior notice.

**IMPORTANT:** No liability is accepted for incorrect use of product.

**WARRANTY:** Guarantee is 12 months from purchase date, proof of which will be required for any claim.

**Sealey Group**, Kempson Way, Suffolk Business Park, Bury St Edmunds, Suffolk. IP32 7AR



01284 757500



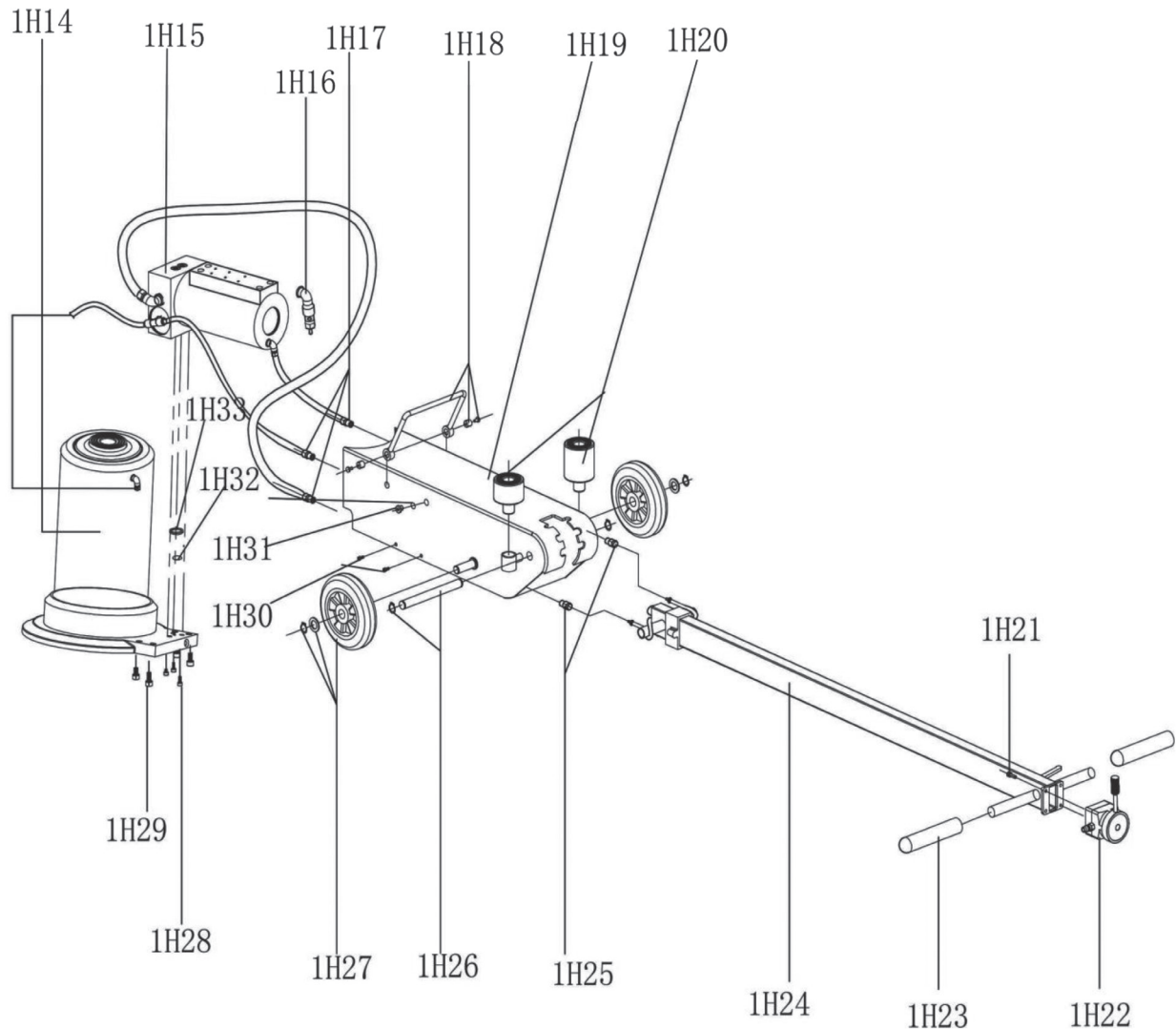
01284 703534



sales@sealey.co.uk



www.sealey.co.uk



Item	Part No.	Description
1H14	YAJ30H.1H14	Oil Cylinder Assembly
1H15	FUSN-J002	Pump Assembly
1H16	YAJ30H.1H16	Safety Valve
1H17	YAJ30H.1H17	Joint
1H18	YAJ30H.1H18	Lifting Handle Set
--	SFS819.S	Hex Head Flange Bolt M8x19 Single
1H19	YAJ30H.1H19	Oil Tank
1H20	YAJ30H.1H20	Adaptors
1H21	SCB516.SB	Socket Head Cap Screw M5x16 Black
1H22	YAJ30H.1H22	Switch
1H23	YAJ30H.1H23	Handle Grip

Item	Part No.	Description
1H24	YAJ30H.1H24	Handle Ass'y
1H25	YAJ30H.1H25	Joint
1H26	YAJ30H.1H26	Wheel Axle: Solid, Black, Circlip Fittings (L:170mm D:17mm)
1H27	YAJ30H.1H27	Wheel, Fixed (W/Fixings)(200x44x50)
1H28	YAJ30H.1H28	Socket Head Cap Screw
1H29	YAJ30H.1H29	Socket Head Cap Screw
1H30	YAJ30H.1H30	Button Head Socket Screw
1H31	YAJ30H.1H31	Button Head Socket Screw
1H32	YAJ30H.1H32	O-Ring
1H33	YAJ30H.1H33	Locking Ring

**NOTE:** It is our policy to continually improve products and as such we reserve the right to alter data, specifications and component parts without prior notice.

**IMPORTANT:** No liability is accepted for incorrect use of product.

**WARRANTY:** Guarantee is 12 months from purchase date, proof of which will be required for any claim.