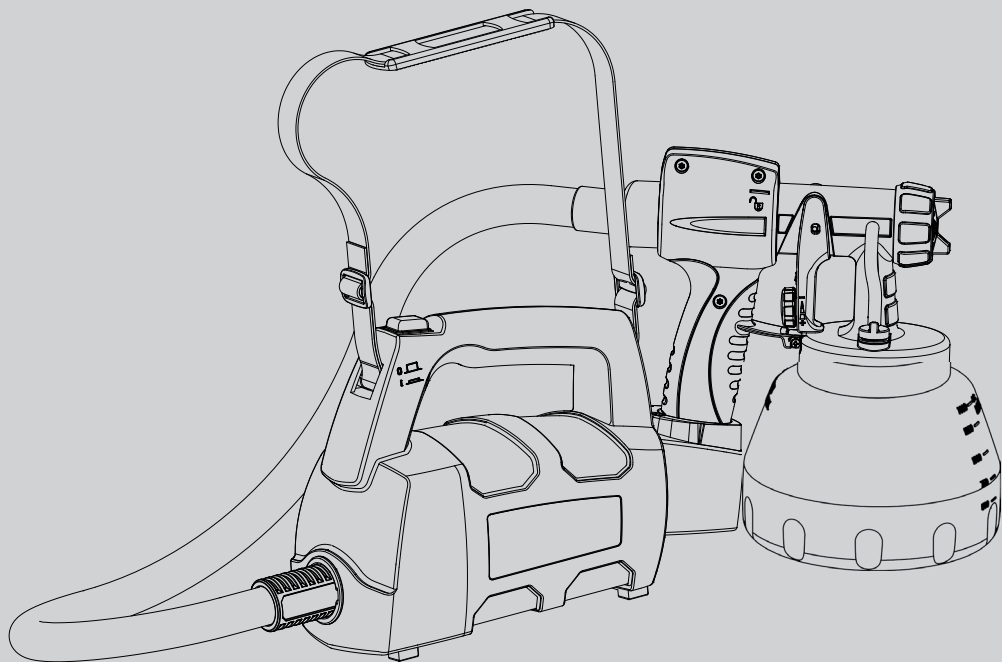


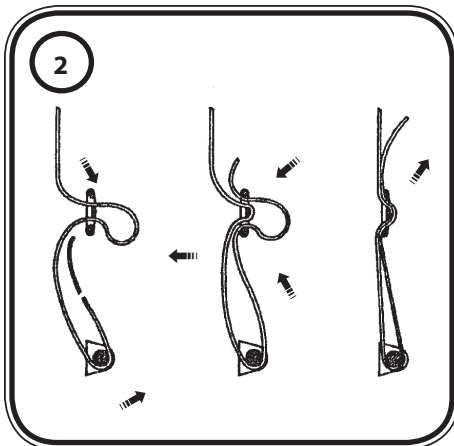
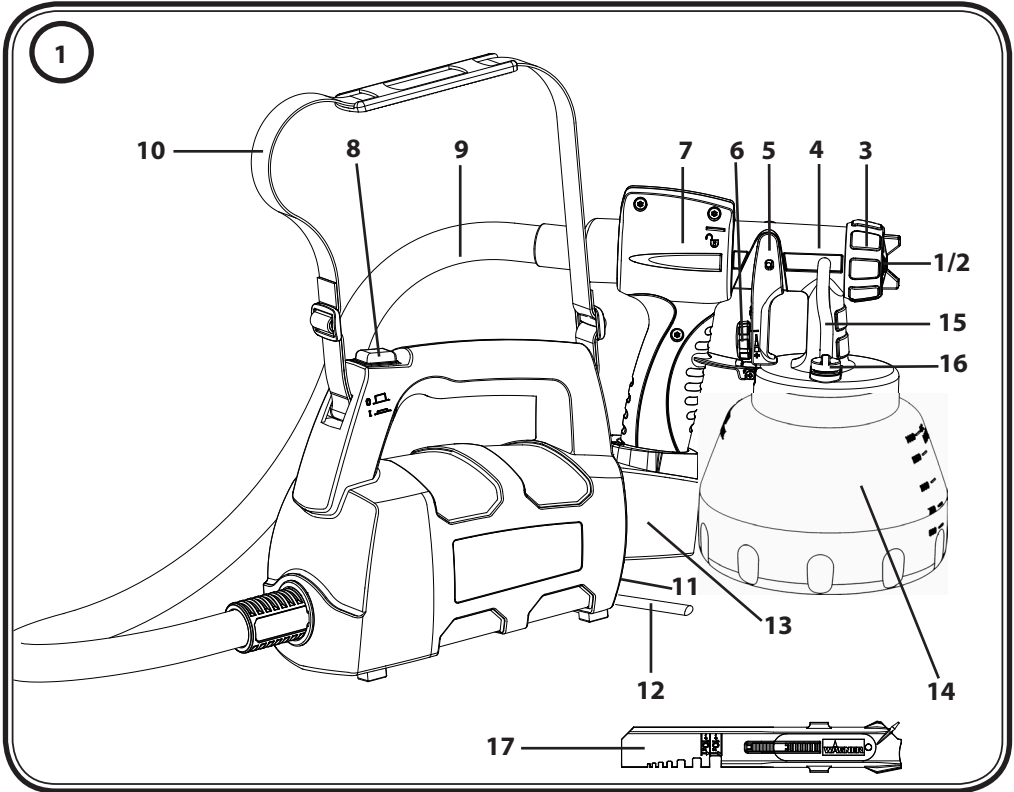
WAGNER

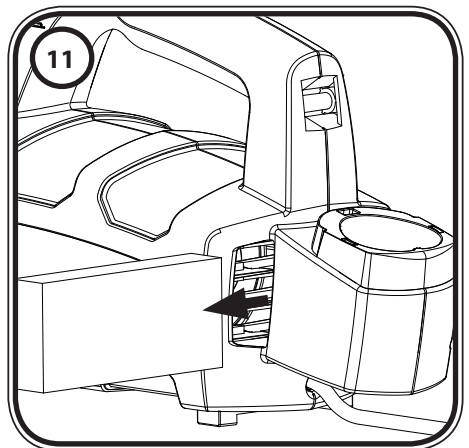
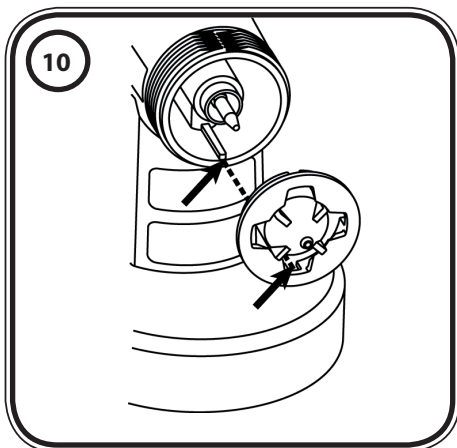
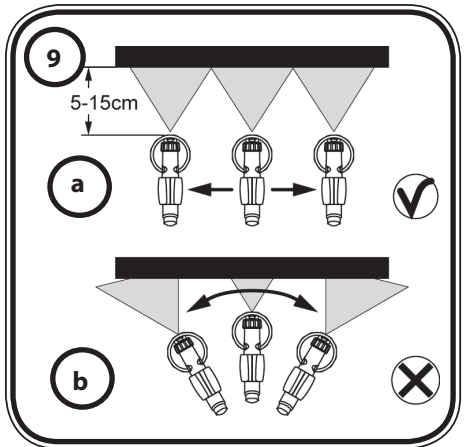
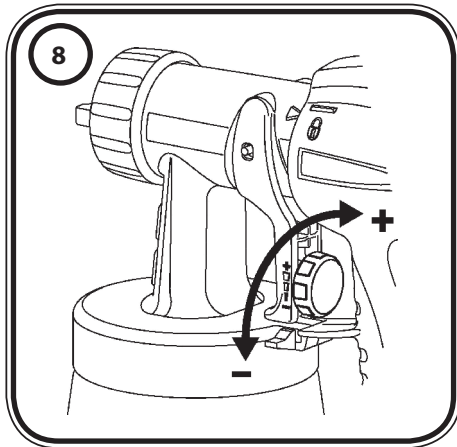
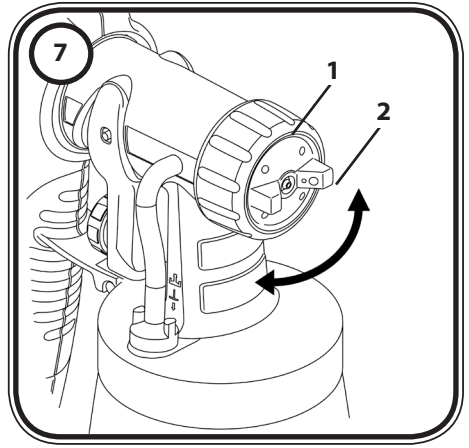
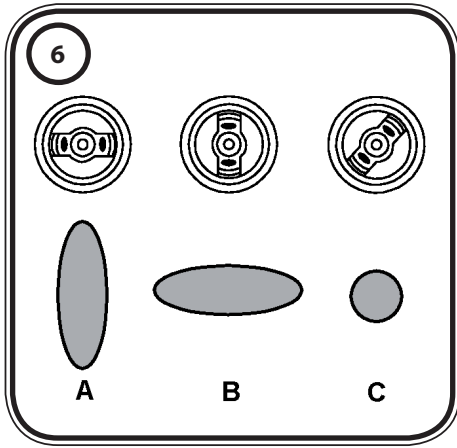


FENCE & DECKING SPRAYER

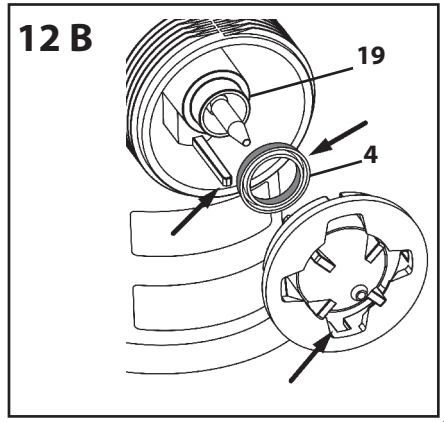
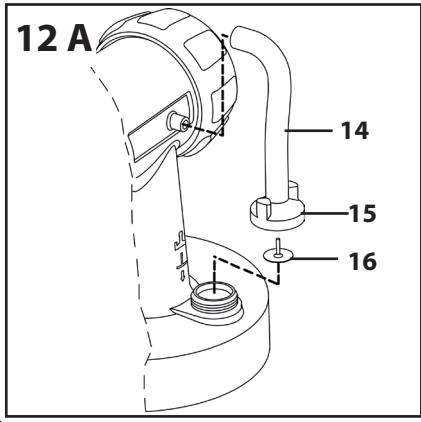
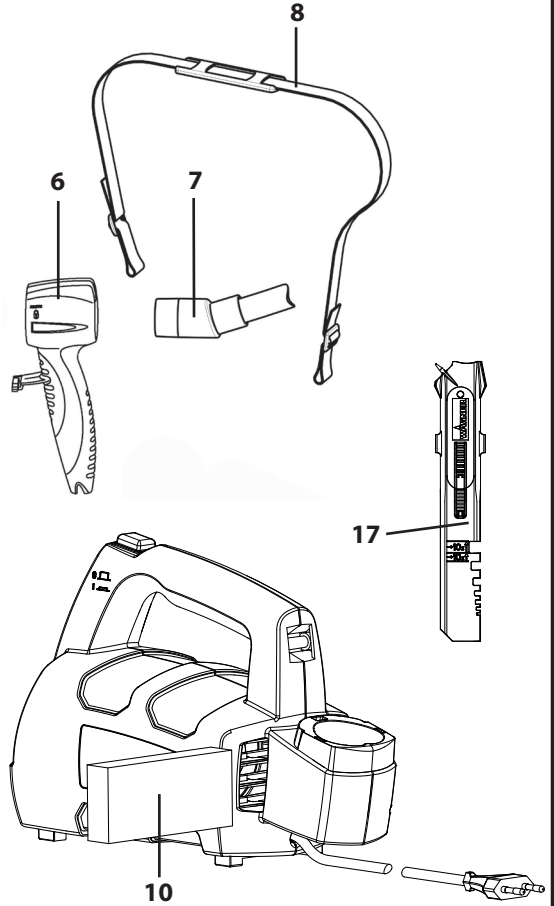
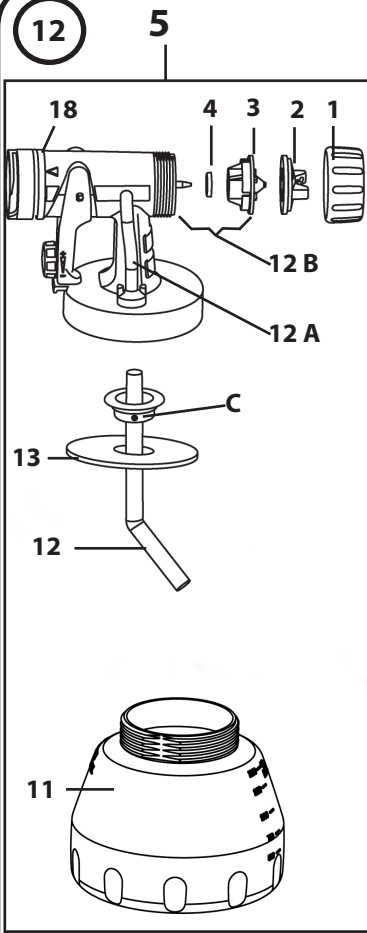
GB D

ORIGINAL-BETRIEBSANLEITUNG
OWNERS MANUAL





FENCE & Decking SPRAYER





.....1 - 13



.....14 - 26



Fragen? · Questions? · Des questions? · Vragen?



Translation of the original operating instructions

MANY THANKS FOR PLACING YOUR TRUST IN US

We would like to congratulate you on purchasing this brand product from Wagner; we are sure that you will enjoy working with it greatly.





Please read the Operating Manual carefully and observe the safety information before starting the device. Store the Operating Manual in a safe place close to the product in case it needs to be used by someone else.

We would be happy to be of assistance if you have any questions, suggestions or requests. Please contact us via the phone number included on the back page or via our homepage, www.wagner-group.com/service.

Contents

- 1. Explanation of symbols used2
- 2. General Safety Instructions2
- 3. Safety Instructions for Spray Guns4
- 4. Description/ Scope of delivery5
- 5. Coating Materials Suitable for Use5
- 6. Coating Materials Not Suitable for Use.....6
- 7. Preparation of the Coating Material6
- 8. Start-up6
- 9. Adjusting the desired Spray Setting7
- 10. Adjusting the Material Volume (Fig. 8)7
- 11. Spray Technique.....7
- 12. Interruption of Work till 4 Hours.....8
- 13. Taking Out of Operation and Cleaning.....8
- 14. Maintenance9
- 15. Spare Parts9
- 16. Accessories..... 10
- 17. Correction of Malfunctions..... 10
- 18. Technical Data..... 11
- 19. Environmental protection..... 12
- 20. Important Note regarding Product Liability! 12
- 3+1 years guarantee 13

1. Explanation of symbols used

	This symbol indicates a potential danger for you or for the device. Under this symbol you can find important information on how to avoid injuries and damage to the device.
	Danger of electrical shock
	Indicates tips for use and other particularly useful information.
	Devices and accessories marked with this symbol are suitable for processing low-viscosity materials such as paints, glazes and wall paints specifically designed for this purpose. If a material bears this logo, it is particularly well suited for use with the relevant device.

2. General Safety Instructions

WARNING! *Read all safety warnings and all instructions. Failure to follow the warnings and instructions may result in electric shock, fire and/or serious injury.*



Save all warnings and instructions for future reference.

The term "power tool" in the warnings refer to your mains-operated (corded) power tool or battery-operated (cordless) power tool.

1. Work area safety

- a) **Keep work area clean and well lit.** *Cluttered or dark areas invite accidents.*
- b) **Do not operate power tools in explosive atmospheres, such as in the presence of flammable liquids, gases or dust.** *Power tools create sparks which may ignite the dust or fumes.*
- c) **Keep children and bystanders away while operating a power tool.** *Distractions can cause you to lose control.*

2. Electrical Safety

- a) **Power tool plugs must match the outlet. Never modify the plug in any way. Do not use any adapter plugs with earthed (grounded) power tools.** *Unmodified plugs and matching outlets will reduce risk of electric shock.*
- b) **Avoid body contact with earthed or grounded surfaces, such as pipes, radiators, ranges and refrigerators.** *There is an increased risk of electric shock if your body is earthed or grounded.*

- c) **Do not expose power tools to rain or wet conditions.** *Water entering a power tool will increase the risk of electric shock.*
- d) **Do not abuse the cord. Never use the cord for carrying, pulling or unplugging the power tool. Keep cord away from heat, oil, sharp edges or moving parts.** *Damaged or entangled cords increase the risk of electric shock.*
- e) **When operating a power tool outdoors, use an extension cord suitable for outdoor use.** *Use of a cord suitable for outdoor use reduces the risk of electric shock.*
- f) **If operating a power tool in a damp location is unavoidable, use a residual current device (RCD) protected supply.** *Use of an RCD reduces the risk of electric shock.*

3. Personal safety

- a) **Stay alert, watch what you are doing and use common sense when operating a power tool. Do not use a power tool while you are tired or under the influence of drugs, alcohol or medication.** *A moment of inattention while operating power tools may result in serious personal injury.*
- b) **Use personal protective equipment. Always wear eye protection.** *Protective equipment such as dust mask, non-skid safety shoes, hard hat, or hearing protection used for appropriate conditions will reduce personal injuries.*
- c) **Prevent unintentional starting. Ensure the switch is in the off-position before connecting to power source and/or battery pack, picking up or carrying the tool.** *Carrying power tools with your finger on the switch or energising power tools that have the switch on invites accidents.*
- d) **Remove any adjusting key or wrench before turning the power tool on.** *A wrench or a key left attached to a rotating part of the power tool may result in personal injury.*
- e) **Do not overreach. Keep proper footing and balance at all times.** *This enables better control of the power tool in unexpected situations.*
- f) **Dress properly. Do not wear loose clothing or jewellery. Keep your hair, clothing and gloves away from moving parts.** *Loose clothes, jewellery or long hair can be caught in moving parts.*

4. Power tool use and care

- a) **Do not force the power tool. Use correct power tool for your application.** *The correct power tool will do the job better and safer at the rate for which it was designed.*

- b) **Do not use the power tool if the switch does not turn it on and off.** *Any power tool that cannot be controlled with the switch is dangerous and must be repaired.*
- c) **Disconnect the plug from the power source and/or the battery pack from the power tool before making any adjustments, changing accessories, or storing power tools.** *Such preventive safety measures reduce the risk of starting the power tool accidentally.*
- d) **Store idle power tools out of reach of children and do not allow persons unfamiliar with the power tool or these instructions to operate the power tool.** *Power tools are dangerous in the hands of untrained users.*
- e) **Maintain power tools. Check for misalignment or binding of moving parts, breakage of parts and any other condition that may affect the power tool's operation. If damaged, have the power tool repaired before use.** *Many accidents are caused by poorly maintained power tools.*
- f) **Use the power tool, accessories and tool bits etc. in accordance with these instructions, taking into account the working conditions and the work to be performed.** *Use of the power tool for operations different from those intended could result in a hazardous situation.*

5. Service

- a) **Have your power tool serviced by a qualified repair person using only identical replacement parts.** *This will ensure that the safety of the power tool is maintained.*
- b) **If the supply cord is damaged, it must be replaced by the manufacturer or its service agent or a similarly qualified person in order to avoid a safety hazard.**

3. Safety Instructions for Spray Guns

- **Caution!** Wear breathing equipment: Paint mist and solvent vapors are damaging to health. Always wear breathing equipment and only work in well ventilated rooms or using supplementary ventilating equipment. It is advisable to wear working clothing, safety glasses, ear protection and gloves.



CAUTION: DANGER OF INJURY!

Never point the spray stream towards human beings or animals.

- Do not use the spray guns to spray flammable substances.
- The spray guns are not to be cleaned with flammable solvents.
- Caution against dangers that can arise from the sprayed substance and observe the text and information on the containers or the specifications given by the substance manufacturer.

- Do not spray any liquid of unknown hazard potential.
- The device may not be used in workplaces covered by the explosion-protection regulations.
- To avoid the hazard of explosion when spraying, provide for effective natural or artificial ventilation.
- There must be no sources of ignition such as, for example, open fires, smoke of lit cigarettes, cigars and tobacco pipes, sparks, glowing wires, hot surfaces, etc. in the vicinity during spraying.
- Ensure that no solvent vapors are sucked in by the unit. Do not spray onto the unit!
- The spray gun is not a toy; children must therefore not be allowed to handle it or play with it.
- Before working on the spray gun remove the power plug from the socket.
- Cover areas that are **not** to be sprayed. When working keep in mind that wind, for example, may transport paint mist over great distances and cause damage.
- The units may only be used with a functional valve. **If paints rises in the ventilating hose (Fig. 12 A, item 14) do not operate the unit further!** Dismantle and clean the ventilating hose, valve and diaphragm and replace the diaphragm if necessary.
- **Do not lay the spray gun.**

With original WAGNER accessories and spare parts, you have the guarantee that all safety regulations are fulfilled.

4. Description/ Scope of delivery

Description/ Scope of delivery (Fig. 1)	
1 Air cap	11 Air filter
2 Nozzle	12 Mains lead
3 Union nut	13 Spray gun holder
4 Spray attachment	14 Container
5 Trigger guard	15 Ventilating hose
6 Material volume regulation	16 Valve
7 Handle	17 Stir stick
8 ON/OFF switch	18 Replacement nozzle seal*
9 Air hose	19 Lubricating grease*
10 Carrying belt	

* This is inside the container: remove it before starting operations!

5. Coating Materials Suitable for Use

Water- and solvent-based paints, finishes, primers, 2-component paints, clear finishes, automotive finishes, staining sealers and wood sealer-preservatives.

All coating materials with the red Perfect Spray logo.

6. Coating Materials Not Suitable for Use

Wall paints without the red Perfect Spray logo.

Materials that contain highly abrasive components, plaster, facade paint, caustic solutions and acidic coating substances. Flammable materials.

7. Preparation of the Coating Material

The enclosed spray attachment can be used to spray paints, varnishes and glazes that are undiluted or slightly diluted. Detailed information is available in the technical data sheet of the manufacturer (→ Internet Download).

1. Stir the material up and put the required amount into the paint container.

Thinning recommendation	
Sprayed material	
Glazes	undiluted
Wood preservatives, mordants, oils, disinfection agents, plant protective agents	undiluted
Paints containing solvents and water-soluble paints, primers, vehicle coating paints, thick-film glazes	dilute by 5 - 10 %
Wall paints with the red Perfect Spray logo	dilute in accordance with manufacturer's instructions

2. If the convey capacity is too low, add 5 - 10 % dilution step-by-step until the convey capacity fulfils your requirements.

8. Start-up

Before connecting to the mains supply, be sure that the supply voltage is identical with the value given on the rating plate.

- Attach the carrying strap to the unit. (Fig. 2)
- Unscrew the container from the spray gun.
- Aligning suction tube. (Fig. 3)

If the suction tube is positioned correctly, the container contents can be sprayed without almost any residue.

When spraying horizontal surfaces, turn suction tube forward. (Fig. 3 A)

When spraying objects overhead, turn suction tube back. (Fig. 3 B)

- Set the container on a sheet of paper, pour in the prepared coating material and screw the container tightly onto the spray gun.
- Connect the front part with the rear part of the gun. (Fig. 5)
- Mount the air hose (Fig. 4, a + b). Insert the air hose firmly into the connection of the unit and the gun handle. The position of the hose is not relevant.
- Insert the spray gun into the gun holder on the unit.

- Put the machine down only on a level, clean surface. Otherwise, the gun may suck in dust, etc.
- Sling on the carrying strap with the unit.
- Remove the spray gun from the gun holder and point it at the object to be coated.
- It is advisable to test spray cardboard or a similar material in order to determine the material quantity and the spray pattern.
- Press the ON/OFF switch at the device.

9. Adjusting the desired Spray Setting



WARNING! Danger of injury! Never pull the trigger guard while adjusting the air cap.

With the union nut (fig. 7, 1) slightly unscrewed, turn the air cap (2) to the desired spraysetting position (arrow). Then tighten the union nut.

Fig. 6 A = vertical flat jet → for horizontal surfaces

Fig. 6 B = horizontal flat jet → for vertical surfaces

Fig. 6 C = circular jet → for corners, edges and hard-to-reach surfaces

10. Adjusting the Material Volume (Fig. 8)

Set the material volume by turning the regulator on the trigger guard of the spray gun

- turn to the left → lower material volume
- + turn to the right → higher material volume

11. Spray Technique

- The spray result depends heavily on the smoothness and cleanliness of the surface to be sprayed. Therefore the surface should be carefully prepared and kept free of dust.
- Cover all surfaces not to be sprayed.
- Cover screw threads or similar parts of the target object.
- It is advisable to test the spray gun on cardboard or a similar surface to find the correct setting.

Important: Begin spraying outside of the target area and avoid interruptions inside the target area.

The spray movement should come from the arm, not just from the wrist. This ensures that a uniform distance is maintained between the spray gun and the spray surface during the spray operation. Select a distance of 5 - 15 cm, depending on the desired spray jet width.

Fig. 9 a: **CORRECT** Even distance to the object.

Fig. 9 b: **INCORRECT** Uneven distance causes uneven coating.

- Move the spray gun evenly cross-wise or up-and-down, depending on the spray pattern setting.
- An even movement of the spray gun results in an even surface quality.
- When coating material builds up on the nozzle and air cap, clean both parts with a solvent or water.

12. Interruption of Work till 4 Hours

- Turn the machine off.
- Insert the spray gun into the gun holder.
- When processing 2-component varnishes, clean the device immediately.

13. Taking Out of Operation and Cleaning

Proper cleaning is the prerequisite for problem-free operation of the paint application device. No warranty claims are accepted in case of improper or no cleaning.

- 1) Turn the machine off. Vent the container in case of longer breaks and after the work has been terminated. This can be done by briefly turning open and then closing the container or by pulling the trigger guard and letting the paint into the original paint container.
- 2) Divide the spray gun. Press the hook (Fig. 5 "click") slightly downwards. Turn the gun front part and gun rear part against each other.
- 3) Unscrew the container. Empty any remaining coating material back into the material tin.
- 4) Preclean the container and feed tube with a brush. Clean the ventilating bore (Fig. 12, C).
- 5) Pour solvent or water into the container. Screw the container back on.

Do not use flammable materials for cleaning purposes.

- 6) Assemble the gun again (Fig. 5).
- 7) Turn on the machine and spray the solvent or water into a container or a cloth.
- 8) Repeat the above procedure until the solvent or water emerging from the nozzle is clear.
- 9) Turn off the machine and divide the spray gun.
- 10) Screw of the container and empty it. Pull out the suction tub with container seal.
CAUTION! Never clean seals, diaphragm and nozzle or air holes of the spray gun with metal objects.
The ventilation hose and diaphragm are only solvent-resistant to a limited extent. Do not immerse in solvent, only wipe.
- 11) Pull the ventilating hose (Fig.12 A, 14) at the top from the gun body. Screw off the valve cover (15). Remove the diaphragm (16). Clean all the parts carefully.
- 12) Unscrew the union nut and remove the air cap and nozzle. Clean the air cap, nozzle seal and nozzle with a brush and solvent or water (Fig. 12, 5).
- 13) Clean the outside of the spray gun and container with a cloth soaked in solvent or water.
- 14) Assemble the parts again (see "Assembly").

Assembly

The unit may only be operated with an integer diaphragm (Fig. 12 A, 16).

- 1) Place the diaphragm (Fig. 12 A, 16) **with the pin facing upwards** on the bottom section of the valve. Also see the marking on the gun body.
- 2) Place on the valve cover (Fig. 12 A, 15) and screw it closed.
- 3) Place the ventilating hose (Fig. 12 A, 14) on the valve cover and on the nipple at the gun body.
- 4) Push the nozzle seal (fig. 12 B, 4) over the needle (19); the groove (slot) should point towards you.
- 5) Put the nozzle onto the gun body and find the correct position by turning it. (Fig. 10)
- 6) Put the air cap (Fig. 12, 2) onto the nozzle (3) and tighten it using the union nut (1).
- 7) Place the container seal (Fig. 12, 13) from below on the suction tube and slide it over the collar, while turning the container seal slightly.
- 8) Insert the suction tube with container seal in the gun body.

14. Maintenance

WARNING! Never operate the machine without the air filter; dirt could be sucked in and interfere with the function of the machine. Disconnect plug before changing parts.

Change the air filter if it is soiled. For this pull the air filter out of the unit (Fig. 11). Insert a new air filter with the flat side at the back (looking towards the unit).

In order to mount the gun more easily apply lubricating grease (enclosed) liberally to the O-ring at the gun front part (Fig. 12, 18).

15. Spare Parts

Spare Parts List (Fig. 12)

Pos.	Name	Order No.
1	Union nut	2362 873
2	Air cap	2362 877
3	Nozzle	2362 878
4	Nozzle seal	0417 706
5	Wood&Metal EXTRA Large	2361 736
6	Handle	2362 879
7	Air hose	2308 501
8	Carrying belt	2322 299
10	Air filter	2308 502
11	Container with cover 1400 ml	0417 921
12	Suction tube	2362 876

Spare Parts List (Fig. 12)

13	Container seal	2323 039
14, 15, 16	Ventilating hose, valve cover, diaphragm	2304 027
17	Stir stick	2304 419
	Lubricating grease	2315 539

16. Accessories

The **CLICK&PAINT SYSTEM** with additional spray attachments and accessories offers the right tool for each work.

Further information about the **WAGNER** range of products for renovating is available under www.wagner-group.com

17. Correction of Malfunctions

Problem	Cause	Remedy
No coating material emerges from the nozzle	<ul style="list-style-type: none"> • Nozzle clogged • Material volume setting turned too far to the left (-) • No pressure build-up in container • Container empty • Feed tube loose • Feed tube clogged 	<ul style="list-style-type: none"> → Clean → Turn to the right (+) → Tighten container → Refill → Insert → Clean
Coating material drips from the nozzle	<ul style="list-style-type: none"> • Coating material assembly at air cap, nozzle or needle • Nozzle loose • Nozzle seal worn • Nozzle worn 	<ul style="list-style-type: none"> → Clean → Union nut tighten → Change → Change
Atomisation too coarse	<ul style="list-style-type: none"> • Material volume too large • Material volume adjusting screw turned too far to the right (+) • Nozzle contaminated • Viscosity of coating material too high • Too little pressure build-up in container • Air filter heavily soiled 	<ul style="list-style-type: none"> → Turn material volume adjusting screw to the left (-) → Clean → Dilute further → Tighten container → Change

Problem	Cause	Remedy
Spray jet pulsates	<ul style="list-style-type: none"> • Coating material in container running out • Nozzle seal worn • Air filter heavily soiled 	→ Refill → Replace → Change
Coating material causes "paint tears"	<ul style="list-style-type: none"> • Too much coating material applied • Viscosity of coating material too low 	→ Turn material volume adjusting screw to the left (-)
Too much fog of coating material (Overspray)	<ul style="list-style-type: none"> • Distance to the object too large • Too much coating material applied 	→ Reduce distance → Turn material volume adjusting screw to the left (-)
Paint in the ventilating hose	<ul style="list-style-type: none"> • Diaphragm soiled • Diaphragm defective 	→ Clean the diaphragm → Replace the diaphragm

18. Technical Data

Technical Data	
Max. viscosity:	170 DIN-s
Power source:	230 V, ~ 50 Hz
Power consumption:	460 W
Atomizing output:	110 W
Max. flow rate:	150 ml/min
Double insulation:	<input type="checkbox"/>
Sound pressure level*:	72 dB (A); Uncertainty K = 4 dB
Sound pressure output*:	85 dB (A); Uncertainty K = 4 dB
Oscillation level*:	< 2.5 m/s ² ; Uncertainty K = 1.5 m/s ²
Air hose length:	1.8 m
Weight:	approx. 2.0 kg

* Measured in accordance with EN 60745-1

Information about the oscillation level

The specified oscillation level has been measured according to a standard test procedure and can be used to compare against electric tools.

The oscillation level is also for determining an initial assessment of the vibrational strain.

Attention! The vibration emission value can differ from the specified value when the electric tool is actually in use, depending on how the electric tool is being used. It is necessary to specify safety measures to protect the operating personnel. These measures

are based on an estimated shutdown during the actual conditions of use (all parts of the operating cycle are taken into consideration here, for example periods when the electric tool is switched off, and, when it is switched on but running without any load).

19. Environmental protection



The device and all accessories and packaging have to be recycled in an environmentally friendly manner. Do not dispose of the appliance with household waste. Support environmental protection by taking the appliance to a local collection point or obtain information from a specialist retailer. Leftover paint and solvents may not be emptied into drains, the sewage system or disposed of as household rubbish. It has to be disposed of separately as special waste. Please pay special attention to the instructions on the product packaging.

20. Important Note regarding Product Liability!

According to an EU directive, the manufacturer is only liable without limitation for faults in the product if all parts come from the manufacturer or have been approved by the manufacturer and have been mounted to the device and are operated properly. If third-party accessories or spare parts are used, the manufacturer is exonerated wholly or partly from his/her liability if use of the third-party accessories or spare parts have caused a defect in the product.

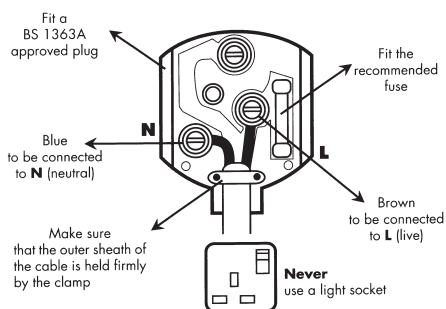
Warning

If the supply cord of this appliance is damaged, it must only be replaced by a repair shop appointed by the manufacturer, because special purpose tools are required.

Warning: Do not connect the blue or brown wire to the earth terminal of the plug! The wires in this mains lead are coloured in accordance with the following code:

blue = neutral **brown** = live

As the colours of the wires in the mains lead of this appliance may not correspond with the coloured markings identifying the terminals in your plug, proceed as follows:



- Should the moulded plug have to be replaced, never re-use the defective plug or attempt to plug it into a different 13 A socket. This could result in an electric shock.
- Should it be necessary to exchange the fuse in the plug only use fuses approved by ASTA in accordance with BS 1362. 5 Amp fuses may be used.
- To ensure that the fuse and fuse carrier are correctly mounted please observe the provided markings or colour coding in the plug.
- After changing the fuse, always make sure that the fuse carrier is correctly inserted. Without the fuse carrier, it is not permissible to use the plug.
- The correct fuses and fuse carriers are available from your local electrical supplies stockist.

3+1 years guarantee

The guarantee runs for three years, counting from the date of sale (sales slip). The guarantee is extended by a further 12 months if the device is registered online within 4 weeks of the purchase at www.wagner-group.com/3plus1. Registration is only possible if the buyer is in agreement with the data being stored that is entered during registration. The guarantee covers and is restricted to free-of-charge rectification of faults which are demonstrably attributable to the use of faulty materials in manufacture, or assembly errors; or free-of-charge replacement of the defective parts. The guarantee does not cover incorrect use or commissioning or fitting or repair work which is not stated in our operating instructions. Wearing parts are also excluded from the guarantee. The guarantee excludes commercial use. We expressly reserve the right to fulfil the guarantee. The guarantee expires if the tool is opened up by persons other than WAGNER service personnel. Transport damage, maintenance work and loss and damage due to faulty maintenance work are not covered by the guarantee. Under any guarantee claim, there must be proof of purchase of the tool through submission of the original receipt. Wherever legally possible, we exclude all liability for injury, damage or consequential loss, especially if the tool has been used for a purpose other than that stated in the operating instructions, commissioned or repaired other than in accordance with our operating instructions or if repairs are performed by someone who is unqualified. We reserve the right to perform any repairs in excess of those stated in our operating instructions. In case of guarantee or repair, please refer to your point of sale.

HERZLICHEN DANK FÜR IHR VERTRAUEN





Wir gratulieren Ihnen zum Erwerb dieses Markenproduktes von Wagner und sind überzeugt, dass es Ihnen viel Freude bereiten wird.

Bitte lesen Sie vor Inbetriebnahme die Bedienungsanleitung genau durch und beachten Sie die Sicherheitshinweise. Bewahren Sie die Bedienungsanleitung bitte sorgfältig auf und legen Sie sie dem Produkt bei, falls Sie es einmal weitergeben sollten. Für Fragen, Anregungen und Wünsche stehen wir Ihnen gerne unter der auf der Rückseite angegebenen Rufnummer oder der Internetseite www.wagner-group.com/service zur Verfügung.

Inhalt

- 1. Erklärung der verwendeten Symbole 15
- 2. Allgemeine Sicherheitshinweise..... 15
- 3. Sicherheitshinweise für Spritzpistolen 18
- 4. Beschreibung/ Lieferumfang 19
- 5. Verarbeitbare Beschichtungsstoffe 19
- 6. Nichtverarbeitbare Beschichtungsstoffe 19
- 7. Vorbereitung des Beschichtungsstoffes..... 19
- 8. Inbetriebnahme 20
- 9. Einstellung des gewünschten Spritzbildes 20
- 10. Einstellung der Materialmenge (Abb. 8) 21
- 11. Spritztechnik 21
- 12. Arbeitsunterbrechung bis 4 Stunden 21
- 13. Außerbetriebnahme und Reinigung..... 21
- 14. Wartung 23
- 15. Ersatzteile 23
- 16. Zubehör 23
- 17. Behebung von Störungen 24
- 18. Technische Daten..... 25
- 19. Umweltschutz..... 25
- 20. Wichtiger Hinweis zur Produkthaftung!..... 25
- 3+1 Jahre Garantie 26

1. Erklärung der verwendeten Symbole

	Dieses Symbol weist auf eine potenzielle Gefahr für Sie bzw. das Gerät hin. Unter diesem Symbol finden Sie wichtige Informationen, wie Sie Verletzungen und Schäden am Gerät vermeiden.
	Gefahr eines elektrischen Schlages
	Kennzeichnet Anwendungstipps und andere besonders nützliche Hinweise.
	Mit diesem Symbol gekennzeichnete Geräte und Zubehöre sind für die Verarbeitung von dünnflüssigen Materialien wie z.B. Lacke, Lasuren und speziell darauf eingestellte Wandfarben geeignet. Trägt ein Material dieses Logo ist es für die Verwendung mit dem entsprechenden Gerät besonders gut geeignet.

2. Allgemeine Sicherheitshinweise

Achtung! *Sämtliche Anweisungen sind zu lesen. Fehler bei der Einhaltung der nachstehend aufgeführten Anweisungen können elektrischen Schlag, Brand und/oder schwere Verletzungen verursachen. **Bewahren Sie die Bedienungsanleitung bitte sorgfältig auf und legen Sie sie dem Produkt bei, falls Sie es einmal weitergeben sollten.** Der nachfolgend verwendete Begriff "Elektrowerkzeug" bezieht sich auf netzbetriebene Elektrowerkzeuge (mit Netzkabel) und auf akkubetriebene Elektrowerkzeuge (ohne Netzkabel).*



1. Arbeitsplatzsicherheit

- Halten Sie Ihren Arbeitsbereich sauber und gut beleuchtet.** Unordnung oder unbeleuchtete Arbeitsbereiche können zu Unfällen führen.
- Arbeiten Sie mit dem Elektrowerkzeug nicht in explosionsgefährdeter Umgebung, in der sich brennbare Flüssigkeiten, Gase oder Stäube befinden.** Elektrowerkzeuge erzeugen Funken, die den Staub oder die Dämpfe entzünden können.
- Halten Sie Kinder und andere Personen während der Benutzung des Elektrowerkzeugs fern.** Bei Ablenkung können Sie die Kontrolle über das Gerät verlieren.

2. Elektrische Sicherheit

- Der Anschlussstecker des Elektrowerkzeuges muss in die Steckdose passen.**

Der Stecker darf in keiner Weise verändert werden. Verwenden Sie keine Adapterstecker gemeinsam mit schutzgeerdeten Geräten. *Unveränderte Stecker und passende Steckdosen verringern das Risiko eines elektrischen Schlages.*

- b) Vermeiden Sie Körperkontakt mit geerdeten Oberflächen, wie von Rohren, Heizungen, Herden und Kühlschränken.** *Es besteht ein erhöhtes Risiko durch elektrischen Schlag, wenn Ihr Körper geerdet ist.*
- c) Halten Sie das Gerät von Regen oder Nässe fern.** *Das Eindringen von Wasser in ein Elektrogerät erhöht das Risiko eines elektrischen Schlages.*
- d) Zweckentfremden Sie das Kabel nicht, um das Gerät zu tragen, aufzuhängen oder um den Stecker aus der Steckdose zu ziehen. Halten Sie das Kabel fern von Hitze, Öl, scharfen Kanten oder sich bewegenden Geräteteilen.** *Beschädigte oder verwickelte Kabel erhöhen das Risiko eines elektrischen Schlages.*
- e) Wenn Sie mit einem Elektrowerkzeug im Freien arbeiten, verwenden Sie nur Verlängerungskabel, die auch für den Außenbereich geeignet sind.** *Die Anwendung eines für den Außenbereich geeigneten Verlängerungskabels verringert das Risiko eines elektrischen Schlages.*
- f) Wenn der Betrieb des Gerätes in feuchter Umgebung nicht vermeidbar ist, verwenden Sie einen Fehlerstromschutzschalter.** *Der Einsatz eines Fehlerstromschutzschalters verhindert das Risiko eines elektrischen Schlages.*

3. Sicherheit von Personen

- a) Seien Sie aufmerksam, achten Sie darauf, was Sie tun, und gehen Sie mit Vernunft an die Arbeit mit einem Elektrowerkzeug. Benutzen Sie das Gerät nicht, wenn Sie müde sind oder unter dem Einfluss von Drogen, Alkohol oder Medikamenten stehen.** *Ein Moment der Unachtsamkeit beim Gebrauch des Gerätes kann zu ernsthaften Verletzungen führen.*
- b) Tragen Sie persönliche Schutzausrüstung und immer eine Schutzbrille.** *Das Tragen persönlicher Schutzausrüstung, wie Staubmaske, rutschfeste Sicherheitsschuhe, Schutzhelm oder Gehörschutz, je nach Art und Einsatz des Elektrowerkzeuges, verringert das Risiko von Verletzungen.*
- c) Vermeiden Sie eine unbeabsichtigte Inbetriebnahme. Vergewissern Sie sich, dass das Elektrowerkzeug ausgeschaltet ist, bevor Sie es an die Stromversorgung anschließen, es aufnehmen oder tragen.** *Wenn Sie beim Tragen des Geräts den Finger am Schalter haben oder das Gerät eingeschaltet an die Stromversorgung anschließen, kann dies zu Unfällen führen.*
- d) Entfernen Sie Einstellwerkzeuge oder Schraubenschlüssel, bevor Sie das Gerät einschalten.** *Ein Werkzeug oder Schlüssel, der sich in einem drehenden Geräteteil befindet, kann zu Verletzungen führen.*

- e) **Vermeiden Sie eine abnormale Körperhaltung. Sorgen Sie für einen sicheren Stand und halten Sie jederzeit das Gleichgewicht.** *Dadurch können Sie das Gerät in unerwarteten Situationen besser kontrollieren.*
- f) **Tragen Sie geeignete Kleidung. Tragen Sie keine weite Kleidung oder Schmuck. Halten Sie Haare, Kleidung und Handschuhe fern von sich bewegenden Teilen.** *Lockere Kleidung, Schmuck oder lange Haare können von sich bewegenden Teilen erfasst werden.*

4. Verwendung und Behandlung des Elektrowerkzeugs

- a) **Überlasten Sie das Gerät nicht. Verwenden Sie für Ihre Arbeit das dafür bestimmte Elektrowerkzeug.** *Mit dem passenden Elektrowerkzeug arbeiten Sie besser und sicherer im angegebenen Leistungsbereich.*
- b) **Benutzen Sie kein Elektrowerkzeug, dessen Schalter defekt ist.** *Ein Elektrowerkzeug, das sich nicht mehr ein- oder ausschalten lässt, ist gefährlich und muss repariert werden.*
- c) **Ziehen Sie den Stecker aus der Steckdose und/oder entfernen Sie den Akku, bevor Sie Geräteeinstellungen vornehmen, Zubehörteile wechseln oder das Gerät weglegen.** *Diese Vorsichtsmaßnahme verhindert den unbeabsichtigten Start des Geräts.*
- d) **Bewahren Sie unbenutzte Elektrowerkzeuge außerhalb der Reichweite von Kindern auf. Lassen Sie Personen das Gerät nicht benutzen, die mit diesem nicht vertraut sind oder diese Anweisungen nicht gelesen haben.** *Elektrowerkzeuge sind gefährlich, wenn Sie von unerfahrenen Personen benutzt werden.*
- e) **Pflegen Sie das Gerät mit Sorgfalt. Kontrollieren Sie, ob bewegliche Geräteteile einwandfrei funktionieren und nicht klemmen, ob Teile gebrochen oder so beschädigt sind, dass die Funktion des Gerätes beeinträchtigt ist. Lassen Sie beschädigte Teile vor dem Einsatz des Gerätes reparieren.** *Viele Unfälle haben ihre Ursache in schlecht gewarteten Elektrowerkzeugen.*
- f) **Verwenden Sie Elektrowerkzeug, Zubehör, Einsatzwerkzeuge usw.entsprechend diesen Anweisungen und so, wie es für diesen speziellen Gerätetyp vorgeschrieben ist. Berücksichtigen Sie dabei die Arbeitsbedingungen und die auszuführende Tätigkeit.** *Der Gebrauch von Elektrowerkzeugen für andere als die vorgesehenen Anwendungen kann zu gefährlichen Situationen führen.*

5. Service

- a) **Lassen Sie Ihr Gerät nur von qualifiziertem Fachpersonal und nur mit**

Original-Ersatzteilen reparieren. Damit wird sichergestellt, dass die Sicherheit des Geräts erhalten bleibt.

- b) Wenn die Netzanschlussleitung dieses Gerätes beschädigt wird, muss sie durch den Hersteller oder seinen Kundendienst oder eine ähnlich qualifizierte Person ersetzt werden, um Gefährdungen zu vermeiden.**

3. Sicherheitshinweise für Spritzpistolen

- **Achtung!** Atemschutz tragen: Farbnebel und Lösungsmitteldämpfe sind gesundheitsschädlich. Nur in gut belüfteten Räumen oder bei künstlicher Belüftung arbeiten. Das Tragen von Arbeitskleidung, Schutzbrille, Gehörschutz und Handschuhen wird empfohlen.



ACHTUNG VERLETZUNGSGEFAHR!

Niemals die Pistole auf sich, Personen oder Tiere richten.

- Die Spritzpistolen dürfen nicht zum Sprühen brennbarer Stoffe verwendet werden.
- Die Spritzpistolen dürfen nicht mit brennbaren Lösungsmitteln gereinigt werden.
- Achten Sie auf die Gefahren die von dem versprühten Stoff ausgehen können und beachten Sie ebenfalls die Aufschriften auf den Behältern oder die vom Hersteller des Stoffes angegebenen Hinweise.
- Versprühen Sie keinerlei Stoffe von denen Sie die Gefährlichkeit nicht kennen.
- In Betriebsstätten, die unter die Explosionsschutz-Verordnung fallen, dürfen die Spritzpistolen nicht benutzt werden.
- Um Explosionsgefahr bei Spritzarbeiten zu vermeiden, muss für eine gute natürliche oder künstliche Lüftung gesorgt werden.
- Beim Spritzen dürfen in der Umgebung keine Zündquellen vorhanden sein, wie z. B. offenes Feuer, Rauchen von Zigaretten, Funken, glühende Drähte und heiße Oberflächen.
- Achten Sie darauf, dass keine Lösemitteldämpfe vom Gerät angesaugt werden. Nicht auf das Gerät sprühen!
- Die Spritzpistole ist kein Spielzeug. Lassen Sie deswegen Kinder nicht mit der Spritzpistole hantieren oder spielen.
- Vor allen Arbeiten an der Spritzpistole den Netzstecker aus der Steckdose ziehen.
- Decken Sie **nicht** zu spritzende Flächen ab. Beachten Sie beim Arbeiten, dass z. B. durch Wind, Farbnebel über größere Distanzen verfrachtet werden kann und dadurch Schäden verursacht werden können.
- Das Gerät darf nur mit funktionsfähigem Ventil betrieben werden. **Wenn Farbe in den Belüftungsschlauch (Abb. 12 A, 14) steigt, Gerät nicht weiter betreiben!** Belüftungsschlauch, Ventil und Membran demontieren, reinigen und ggf. Membran ersetzen.
- **Spritzpistole nicht legen**

Mit original WAGNER Zubehör und Ersatzteilen haben Sie die Gewähr, dass alle Sicherheitsvorschriften erfüllt sind.

4. Beschreibung/ Lieferumfang

Beschreibung/ Lieferumfang (Abb. 1)	
1 Luftkappe	11 Luftfilter
2 Düse	12 Netzkabel
3 Überwurfmutter	13 Spritzpistolenhalter
4 Sprühaufsatz	14 Behälter
5 Abzugsbügel	15 Belüftungsschlauch
6 Materialmengenregulierung	16 Ventil
7 Pistolengriff	17 Rührstab
8 EIN / AUS Schalter	18 Ersatzdüsendichtung*
9 Luftschlauch	19 Gleitfett*
10 Tragegurt	

* Befindet sich im Behälter, vor Inbetriebnahme entfernen!

5. Verarbeitbare Beschichtungsstoffe

Lösemittelhaltige und wasserverdünnbare Lackfarben, Lasuren, Grundierungen, 2-Komponenten Lacke, Klarlacke, Kraftfahrzeug-Decklacke, Beizen und Holzschutzmittel. Alle Beschichtungsstoffe mit rotem Perfect Spray Logo

6. Nichtverarbeitbare Beschichtungsstoffe

Wandfarben ohne rotes Perfect Spray Logo
 Materialien die stark schmirgelnde Bestandteile enthalten, Putze, Fassadenfarbe, Laugen und säurehaltige Beschichtungsstoffe.
 Brennbare Beschichtungsstoffe.

7. Vorbereitung des Beschichtungsstoffes

Mit dem beiliegenden Sprühaufsatz können Farben, Lacke und Lasuren unverdünnt oder geringfügig verdünnt versprüht werden. Detaillierte Informationen können Sie dem Technischen Datenblatt des Farbherstellers entnehmen (→ Internet Download).

1. Rühren Sie das Material auf und geben Sie die benötigte Menge in den Farbbehälter.

Verdünnungsempfehlung	
Spritzmaterial	
Lasuren	unverdünnt
Holzschutzmittel, Beizen, Öle, Desinfektionsmittel, Pflanzenschutzmittel	unverdünnt
Lösemittelhaltige oder wasserverdünnbare Lackfarben, Grundierungen, Kfz- Decklacke, Dickschichtlasuren	0 - 10 % verdünnen
Wandfarben mit rotem Perfect Spray Logo	nach Herstellerangaben

2. Ist die Fördermenge zu gering, schrittweise 5 - 10 % Verdünnung begeben bis die Fördermenge Ihren Anforderungen entspricht.

8. Inbetriebnahme

Vor Anschluss an das Stromnetz darauf achten, dass die Netzspannung mit der Angabe auf dem Leistungsschild übereinstimmt.

- Tragegurt am Gerät anbringen. (Abb. 2)
- Behälter von der Spritzpistole abschrauben.
- Steigrohr ausrichten. (Abb. 3)
Bei richtiger Position des Steigrohres kann der Behälterinhalt fast ohne Rest verspritzt werden.
Bei Arbeiten an liegenden Objekten: Steigrohr nach vorne drehen. (Abb. 3 A)
Spritzarbeiten bei über Kopf Objekten: Steigrohr nach hinten drehen. (Abb. 3 B)
- Behälter auf Papierunterlage stellen und vorbereiteten Beschichtungsstoff einfüllen.
Behälter fest an die Spritzpistole anschrauben.
- Vorder- und Hinterteil der Pistole miteinander verbinden. (Abb. 5)
- Luftschlauch montieren (Abb. 4, a + b). Luftschlauch in den Anschluss des Gerätes und des Pistolengriffs fest einstecken. Die Stellung des Schlauches kann dabei beliebig gewählt werden.
- Spritzpistole in den Pistolenhalter am Gerät stellen.
- Gerät nur auf ebener und sauberer Fläche abstellen. Gerät kann sonst Staub usw. ansaugen.
- Gerät mit Tragegurt umhängen.
- Spritzpistole aus dem Spritzpistolenhalter herausnehmen und auf das Spritzobjekt richten.
- Es ist zweckmäßig, auf Karton oder ähnlichem Untergrund eine Spritzprobe durchzuführen, um die Materialmenge und das Spritzbild zu ermitteln.
- EIN / AUS Schalter am Gerät betätigen.

9. Einstellung des gewünschten Spritzbildes



WARNUNG! Verletzungsgefahr! Niemals während der Einstellung der Luftkappe den Abzugsbügel ziehen.

Bei leicht gelöster Überwurfmutter (Abb. 7, 1) die Luftkappe (2) in die gewünschte Spritzbild-Position drehen (Pfeil). Danach Überwurfmutter wieder festziehen.

- Abb. 6 A** = senkrechter Flachstrahl → für horizontalen Farbauftrag
Abb. 6 B = waagrechter Flachstrahl → für vertikalen Farbauftrag
Abb. 6 C = Rundstrahl → für Ecken und Kanten sowie schwer zugängliche Flächen

10. Einstellung der Materialmenge (Abb. 8)

Materialmenge durch Drehen der Regulierung am Abzugsbügel der Pistole festlegen.

- nach links drehen → weniger Materialmenge
- + nach rechts drehen → mehr Materialmenge

11. Spritztechnik

- Das Spritzergebnis hängt entscheidend davon ab, wie glatt und sauber die Oberfläche vor dem Spritzen ist. Deshalb die Oberfläche sorgfältig vorbehandeln und staubfrei halten.
- Nicht zu spritzende Flächen abdecken.
- Gewinde oder ähnliches am Spritzobjekt abdecken.
- Es ist zweckmäßig, auf Karton oder ähnlichem Untergrund eine Spritzprobe durchzuführen, um die passende Spritzpistoleinstellung zu ermitteln.

Wichtig: Außerhalb der Spritzfläche beginnen und Unterbrechungen innerhalb der Spritzfläche vermeiden.

- Die Spritzbewegung sollte nicht aus dem Handgelenk, sondern aus dem Arm kommen. Somit bleibt während des Spritzvorgangs immer der gleiche Abstand zwischen Spritzpistole und Fläche gewährleistet. Wählen Sie einen Abstand von 5 - 15 cm je nach gewünschter Spritzstrahlbreite.

Abb. 9 a: RICHTIG gleichmäßiger Abstand zum Objekt

Abb. 9 b: FALSCH ungleichmäßiger Abstand erzeugt ungleichmäßige Lackierung

- Bewegen Sie die Spritzpistole gleichmäßig quer oder auf und ab, je nach Spritzbildeinstellung.
- Eine gleichmäßige Spritzpistolenführung ergibt eine einheitliche Oberflächenqualität.
- Bei Beschichtungsstoff-Aufbau an der Düse und Luftpappe, beide Teile mit Lösemittel bzw. Wasser reinigen.

12. Arbeitsunterbrechung bis 4 Stunden

- Gerät ausschalten.
- Spritzpistole in den Spritzpistolenhalter stecken.
- Beim Verarbeiten von 2 Komponenten Lacke, ist das Gerät sofort zu reinigen.

13. Außerbetriebnahme und Reinigung

Eine sachgemäße Reinigung ist Voraussetzung für den einwandfreien Betrieb des Farbauftragsgerätes. Bei fehlender oder unsachgemäßer Reinigung werden keine Garantieansprüche übernommen.

- 1) Gerät ausschalten. Bei längeren Pausen und nach Beendigung der Arbeit Behälter entlüften. Dies kann durch kurzes Aufdrehen und anschließendem verschließen des Behälters oder durch Betätigung des Abzugsbügels und Ablassen der Farbe ins Originalgebinde geschehen.

- 2) Pistole teilen. Haken (Abb. 5 "click") leicht nach unten drücken. Pistolen-Vorderteil und Pistolen-Griff gegeneinander verdrehen.
- 3) Behälter abschrauben. Restlicher Beschichtungsstoff in Materialdose zurückleeren
- 4) Behälter und Steigrohr mit Pinsel vorreinigen. Entlüftungsbohrung reinigen (Abb. 12 C)
- 5) Lösemittel bzw. Wasser in den Behälter einfüllen. Behälter anschrauben.
Verwenden Sie zur Reinigung keine brennbaren Materialien.
- 6) Pistole wieder zusammenbauen (Abb. 5)
- 7) Gerät einschalten und Lösemittel bzw. Wasser in einen Behälter oder ein Tuch spritzen.
- 8) Den obigen Vorgang wiederholen, bis an der Düse klares Lösemittel bzw. Wasser austritt.
- 9) Gerät ausschalten und Pistole teilen
- 10) Behälter abschrauben und entleeren. Steigrohr mit Behälterdichtung herausziehen.
ACHTUNG! Dichtungen, Membran und Düsen- oder Luftbohrungen der Spritzpistole niemals mit spitzen metallischen Gegenständen reinigen. Belüftungsschlauch und Membran sind nur bedingt lösemittelbeständig. Nicht in Lösemittel einlegen sondern nur abwischen.
- 11) Belüftungsschlauch (Abb. 12 A, 14) oben vom Pistolenkörper ziehen. Ventildeckel (15) aufschrauben. Membran (16) entnehmen. Alle Teile sorgfältig reinigen.
- 12) Überwurfmutter abschrauben, Luftkappe und Düse abnehmen. Luftkappe, Düsendichtung und Düse mit Pinsel und Lösemittel bzw. Wasser reinigen. (Abb. 12, 5)
- 13) Spritzpistole und Behälter außen mit einem in Lösemittel bzw. Wasser getränktem Tuch reinigen.
- 14) Teile wieder zusammenbauen (siehe "Zusammenbau").

Zusammenbau

Gerät darf nur mit unversehrtem Membran (Abb. 12 A, 16) betrieben werden.

- 1) Membran (Abb. 12 A, 16) **mit Stift nach oben** auf das Unterteil des Ventils setzen. Siehe hierzu auch Markierung auf dem Pistolenkörper.
- 2) Ventildeckel (Abb. 12 A, 15) vorsichtig aufsetzen und zuschrauben.
- 3) Belüftungsschlauch (Abb. 12 A, 14) auf Ventildeckel und auf Nippel am Pistolenkörper stecken.
- 4) Düsendichtung (Abb. 12 B, 4) über die Nadel (19) schieben, die Nut (Schlitz) muss dabei zu Ihnen zeigen.
- 5) Düse auf den Pistolenkörper stecken und durch Drehen die richtige Position finden. (Abb. 10)
- 6) Luftkappe (Abb. 12, 2) auf Düse (3) stecken und mit Überwurfmutter (1) festziehen.
- 7) Behälterdichtung (Abb. 12, 13) von unten auf das Steigrohr (12) stecken und bis über den Bund schieben, dabei Behälterdichtung leicht drehen.
- 8) Steigrohr mit Behälterdichtung in Pistolenkörper stecken.

14. Wartung

Wichtig! Gerät niemals ohne Luftfilter betreiben, es könnte Schmutz angesaugt werden und den Betrieb des Gerätes beeinflussen. Vor dem Wechsel Netzstecker ziehen.

Je nach Verschmutzung den Luftfilter auswechseln. Hierfür Luftfilter aus dem Gerät ziehen (Abb. 11). Neuen Luftfilter mit der glatten Seite nach hinten (Richtung Gerät) wieder einsetzen.

Zum leichteren Montieren der Pistole, tragen Sie bitte nach dem Reinigen großzügig Gleitfett (ist beigelegt) auf den O-Ring am Pistolenvorderteil auf (Abb. 12, 18).

15. Ersatzteile

Ersatzteilliste (Abb. 12)

Pos.	Benennung	Best. Nr.
1	Überwurfmutter	2362 873
2	Luftkappe	2362 877
3	Düse	2362 878
4	Düsendichtung	0417 706
5	Sprühaufsatz Wood&Metal EXTRA Large	2361 736
6	Pistolengriff	2362 879
7	Luftschlauch	2308 501
8	Tragegurt	2322 299
10	Luftfilter	2308 502
11	Behälter (1400 ml) mit Deckel	0417 921
12	Steigrohr	2362 876
13	Behälterdichtung	2323 039
14, 15, 16	Belüftungsschlauch, Ventildeckel, Membran	2304 027
17	Rührstab	2304 419
	Gleitfett	2315 539

16. Zubehör

Das CLICK&PAINT SYSTEM bietet mit weiteren Sprühaufsätzen und Zubehör für jede Arbeit das richtige Werkzeug.

Weitere Informationen zur WAGNER-Produktpalette rund ums Renovieren unter www.wagner-group.com

17. Behebung von Störungen

Störung	Ursache	Abhilfe
Kein Beschichtungsstoff-austritt an der Düse	<ul style="list-style-type: none"> • Düse verstopft • Materialmengen-Einstellung zu weit nach links gedreht (-) • Kein Druckaufbau im Behälter • Behälter leer • Steigrohr lose • Steigrohr verstopft 	<ul style="list-style-type: none"> → Reinigen → Nach rechts drehen (+) → Behälter anziehen → Nachfüllen → Einstecken → Reinigen
Beschichtungsstoff tropft an der Düse nach	<ul style="list-style-type: none"> • Beschichtungsstoff-Aufbau an Luftkappe, Düse oder Nadel • Düse lose • Düsendichtung verschlissen • Düse verschlissen 	<ul style="list-style-type: none"> → Reinigen → Überwurfmutter anziehen → Auswechseln → Auswechseln
Zu grobe Zerstäubung	<ul style="list-style-type: none"> • Materialmenge zu groß • Materialmengen-Einstellschraube zu weit nach rechts gedreht (+) • Düse verunreinigt • Beschichtungsstoff zu dickflüssig • Zu geringer Druckaufbau im Behälter • Luftfilter stark verschmutzt 	<ul style="list-style-type: none"> → Materialmengen-Einstellschraube nach links drehen (-) → Reinigen → Weiter verdünnen → Behälter anziehen → Auswechseln
Spritzstrahl pulsiert	<ul style="list-style-type: none"> • Beschichtungsstoff im Behälter geht zu Ende • Düsendichtung verschlissen • Luftfilter stark verschmutzt 	<ul style="list-style-type: none"> → Nachfüllen → Auswechseln → Auswechseln
Beschichtungsstoff-Läufer	<ul style="list-style-type: none"> • Zuviel Beschichtungsstoff aufgetragen • Beschichtungsstoff zu dünnflüssig 	<ul style="list-style-type: none"> → Materialmengeneinstellschraube nach links drehen (-)
Zuviel Beschichtungsstoff-Nebel (Overspray)	<ul style="list-style-type: none"> • Abstand zum Spritzobjekt zu groß • Zuviel Beschichtungsstoff-Auftrag 	<ul style="list-style-type: none"> → Spritzabstand verringern → Materialmengeneinstellschraube nach links drehen (-)
Farbe im Belüftungsschlauch	<ul style="list-style-type: none"> • Membran verschmutzt • Membran defekt 	<ul style="list-style-type: none"> → Membran reinigen → Membran ersetzen

18. Technische Daten

Technische Daten	
Max. Viskosität:	170 DIN-s
Spannung:	230 V, ~ 50 Hz
Leistungsaufnahme:	460 W
Zerstäubungsleistung:	110 W
Max. Fördermenge:	150 ml/min
Doppelisolation:	<input type="checkbox"/>
Schalldruckpegel*:	72 dB (A); Unsicherheit K = 4 dB
Schallleistungspegel*:	85 dB (A); Unsicherheit K = 4 dB
Schwingungspegel*:	< 2,5 m/s ² ; Unsicherheit K = 1,5 m/s ²
Luftschlauchlänge:	1,8 m
Gewicht:	ca. 2,0 kg

* Gemessen nach EN 60745-1

Information zum Schwingungspegel

Der angegebene Schwingungspegel ist nach einem genormten Prüfverfahren gemessen worden und kann zum Vergleich von Elektrowerkzeugen verwendet werden. Der Schwingungspegel dient auch zu einer einleitenden Einschätzung der Schwingungsbelastung.

Achtung! Der Schwingungsemissionswert kann sich während der tatsächlichen Benutzung des Elektrowerkzeuges vom Angabewert unterscheiden, abhängig von der Art und Weise, in der das Elektrowerkzeug verwendet wird. Es ist notwendig, Sicherheitsmaßnahmen zum Schutz der Bedienperson festzulegen, die auf einer Abschätzung der Aussetzung während der tatsächlichen Benutzungsbedingungen beruhen (hierbei sind alle Anteile des Betriebszyklus zu berücksichtigen, beispielsweise Zeiten, in denen das Elektrowerkzeug abgeschaltet ist, und solche, in denen es zwar eingeschaltet ist, aber ohne Belastung läuft).

19. Umweltschutz



Das Gerät samt Zubehör und Verpackung sollte einer umweltgerechten Wiederverwertung zugeführt werden. Geben Sie das Gerät bei der Entsorgung nicht in den Hausmüll. Unterstützen Sie den Umweltschutz und bringen Sie deshalb Ihr Gerät zu einer örtlichen Entsorgungsstelle oder erkundigen Sie sich im Fachhandel. Farbreste und Lösungsmittel dürfen nicht in die Kanalisation, das Abflusssystem oder den Hausmüll geschüttet werden. Diese sind als Sondermüll separat zu entsorgen. Beachten Sie dazu die Hinweise auf den Produktverpackungen.

20. Wichtiger Hinweis zur Produkthaftung!

Nach dem seit 01.10.1990 geltenden Produkthaftungsgesetz haftet der Hersteller für sein

Produkt bei Produktfehlern uneingeschränkt nur dann, wenn alle Teile vom Hersteller stammen oder von diesem freigegeben wurden, die Geräte sachgemäß montiert und betrieben werden. Bei Verwendung von fremdem Zubehör und Ersatzteilen kann die Haftung ganz oder teilweise entfallen, wenn die Verwendung des fremden Zubehörs oder der fremden Ersatzteile zu einem Produktfehler führt.

3+1 Jahre Garantie

Die Garantie beträgt 3 Jahre, gerechnet vom Tag des Verkaufes (Kassenbon). Sie verlängert sich um weitere 12 Monate, wenn das Gerät innerhalb von 4 Wochen nach dem Kauf im Internet unter www.wagner-group.com/3plus1 registriert wird. Eine Registrierung ist nur dann möglich, wenn der Käufer sich mit der Speicherung seiner dort einzugebenden Daten einverstanden erklärt. Die Garantie umfasst und beschränkt sich auf die kostenlose Behebung der Mängel, die nachweisbar auf die Verwendung nicht einwandfreien Materials bei der Herstellung oder Montagefehler zurückzuführen sind oder kostenlosen Ersatz der defekten Teile. Verwendung oder Inbetriebnahme, sowie selbständig vorgenommene Montagen oder Reparaturen, die nicht in unserer Bedienungsanleitung angegeben sind, schließen eine Garantieleistung aus. Dem Verschleiß unterworfenen Teile sind ebenfalls von der Garantie ausgeschlossen. Die Garantieleistung schließt den gewerblichen Einsatz aus. Die Garantieleistung behalten wir uns ausdrücklich vor. Die Garantie erlischt, wenn das Gerät von anderen Personen als dem WAGNER Service - Personal geöffnet wurde. Transportschäden, Wartungsarbeiten sowie Schäden und Störungen durch mangelhafte Wartungsarbeiten fallen, nicht unter die Garantieleistungen. Der Nachweis über den Erwerb des Gerätes muss bei Inanspruchnahme der Gewährleistung durch Vorlage des Originalbeleges geführt werden. Soweit gesetzlich möglich, schließen wir jede Haftung für jegliche Personen-, Sach- oder Folgeschäden aus, insbesondere, wenn das Gerät anders als für den in der Bedienungsanleitung angegebenen Verwendungszweck eingesetzt wurde, nicht nach unserer Bedienungsanleitung in Betrieb genommen oder instandgesetzt oder Reparaturen selbständig von einem Nichtfachmann ausgeführt wurden. Reparaturen oder Instandsetzungsarbeiten, die weitergehen als in dieser Bedienungsanleitung angegeben, behalten wir uns im Werk vor. Im Garantie- bzw. Reparaturfall wenden Sie sich bitte an Ihre Verkaufsstelle.

Sehr geehrter WAGNER-Kunde,

unser Service-Zentrum bietet Ihnen die beste Unterstützung durch unsere Hotline, die wir für Sie unter der Telefon Nummer **0180 5 59 24 637** (14 Cent/Min. aus dem deutschen Festnetz, Mobilfunk max. 42 Cent/Min) geschaltet haben.

Unsere Experten garantieren Ihnen schnelle Hilfe und kompetente Auskunft. Sie geben Tipps und Tricks zum Benutzen unserer Produkte.

Email: hotline@wagner-group.com

D CE Konformitätserklärung

Wir erklären in alleiniger Verantwortung, dass dieses Produkt den folgenden einschlägigen Bestimmungen entspricht:

2006/42/EG, 2014/30/EU, 2011/65/EU, 2012/19/EU

Angewandte harmonisierte Normen:

EN 60745-1:2009+A11:2010, EN 50580:2012+A1:2013, EN 62233:2008,
EN 55014-1:2006+A1:2009+A2:2011, EN 55014-2:1997+Corrigendum 1997+A1:2001
+A2:2008, EN 61000-3-2:2014, EN 61000-3-3:2013

GB CE Declaration of Conformity

We declare under sole responsibility that this product conforms to the following relevant stipulations:

2006/42/EC, 2014/30/EU, 2011/65/EU, 2012/19/EU

Applied harmonised norms:

EN 60745-1:2009+A11:2010, EN 50580:2012+A1:2013, EN 62233:2008,
EN 55014-1:2006+A1:2009+A2:2011, EN 55014-2:1997+Corrigendum 1997+A1:2001
+A2:2008, EN 61000-3-2:2014, EN 61000-3-3:2013



i.V. T. Jeltsch
Senior Vice President
Global Product Strategy & Planning



i. V. J. Ulbrich
Vice President Engineering

Dokumentationsverantwortlicher
Responsible person for documents



J. Wagner GmbH Otto-Lilienthal-Str. 18 D-88677 Markdorf

D	J. WAGNER GMBH Otto-Lilienthal-Str. 18 88677 Markdorf T +49 0180 - 55 92 46 37 F +49 075 44 -5 05 11 69	SK	E-CORECO SK S.R.O. Kráľovská ulica 8/7133 927 01 Šala T +42 1948882850 F +42 1313700077	CZ	E-CORECO S.R.O. Na Roudné 102 301 00 Plzeň T +42 734 792 823 F +42 227 077 364
F	WAGNER FRANCE S.A.R.L. 12 Avenue des Tropiques Z.A. de Courtaboeuf 91978 Les Ulis Cedex T +33 0825 011 111 F +33 (0) 1 69 81 72 57	GB	WAGNER SPRAYTECH (UK) LTD Opus Park Moorfield Road Guildford Surrey GU1 15Z T +44 (0) 1483 - 454666 F + 44 (0) 1483 - 454548	H	HONDIMPEX KFT. Kossuth L. u. 48-50 8060 Mór T +36 (-22) - 407 321 F +36 (- 22) - 407 852
DK	ORKLA HOUSE CARE DANMARK A/S Stationsvej 13 3550 Slangerup Danmark T +45 47 33 74 00 F +45 47 33 74 01	NOR	ORKLA HOUSE CARE NORGE AS Nedre Skøyen vei 26, PO Box 423, Skøyen 0213 Oslo T +47 22 54 40 19	PL	PUT WAGNER SERVICE ul. E. Imieli 27 41-605 Swietochlowice T +48/32/346 37 00 F +48/32/346 37 13
S	ORKLA HOUSE CARE AB Box 133 564 23 Bankeryd Sweden T +46(0)36 37 63 00	ROM	ROMIB S.R.L. str. Poligonului nr. 5 - 7 100070 Ploiesti ,judet Prahova T +40-344801240 F +40-344801239	CH	J. WAGNER AG Industriestraße 22 9450 Altstätten T +41 71 - 7 57 22 11 F +41 71 - 7 57 23 23
E P	MAKIMPORT HERRAMIENTAS, S.L. C/ Méjico nº 6 Pol. El Descubrimiento 28806 Alcalá de Henares (Madrid) T 902 199 021 / 91 879 72 00 F 91 883 19 59	AUS	WAGNER SPRAYTECH AUSTRALIA PTY. LTD., 14-16 Kevlar Close Braeside, VIC 3195 T +61 3 95 87 - 20 00 F +61 3 95 80 - 91 20	I	FHC SRL Via Stazione 94, 26013 Crema (CR) T 0373 204839 F 0373 204845

Irrtümer und Änderungen vorbehalten.
Not responsible for errors and changes.
Sous réserves d'erreurs et de modifications.
Fouten en wijzigingen voorbehouden.

Part. No. 2369690 A
09/2016_RS
© Copyright by J.Wagner GmbH