

Thank you for purchasing a Sealey product. Manufactured to a high standard, this product will, if used according to these instructions, and properly maintained, give you years of trouble free performance.

IMPORTANT: PLEASE READ THESE INSTRUCTIONS CAREFULLY. NOTE THE SAFE OPERATIONAL REQUIREMENTS, WARNINGS & CAUTIONS. USE THE PRODUCT CORRECTLY AND WITH CARE FOR THE PURPOSE FOR WHICH IT IS INTENDED. FAILURE TO DO SO MAY CAUSE DAMAGE AND/OR PERSONAL INJURY AND WILL INVALIDATE THE WARRANTY. KEEP THESE INSTRUCTIONS SAFE FOR FUTURE USE.



Refer to instruction manual

1. SAFETY

- WARNING!** Ensure Health & Safety, local authority, and general workshop practice regulations are adhered to when using this bench.
- ✓ Locate bench in a suitable working area.
- ✓ Keep the work area clean, uncluttered and ensure there is adequate lighting.
- WARNING!** Use bench on level and solid ground, preferably concrete. Avoid tarmac since the bench may sink into the surface.
- ✓ Keep the bench clean and tidy in accordance with good workshop practice.
- ✓ Keep children and unauthorised persons away from the working area.
- WARNING!** This bench is not electrically insulated and is therefore not suitable for electrical repairs of any sort.
- ✗ **DO NOT** use the bench for any purpose other than that for which it is designed.
- ✗ **DO NOT** carry out any work on the bench without the work piece being adequately secured. Use clamps or a vice (not included) to secure the work piece (available from your Sealey stockist).
- ✗ **DO NOT** use the bench outside.
- ✗ **DO NOT** get the bench wet, or use in damp or wet locations or areas where there is condensation.
- ✗ **DO NOT** clean the bench with any solvents which may damage the paint surface.
- WARNING!** These workbenches are heavy and assistance should be obtained before assembling or moving them.

2. INTRODUCTION

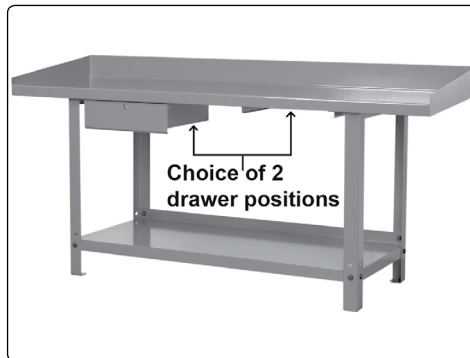
These benches are supplied with a single lockable drawer, models AP1015 and AP1020 have drawer runners on both sides of the centre. Manufactured throughout from steel plate for industrial durability and finished in red gloss to prevent corrosion. Includes a lower shelf for additional storage.

3. SPECIFICATION

Model no	AP1010	AP1015	AP1020
Dimensions (W x D x H)	1000mm x 650mm x 860mm	1500mm x 650mm x 860mm	2000mm x 650mm x 860mm
Weight	41.14kg	53.14kg	69.26kg
Max. bench top capacity (evenly distributed)	600kg	1000kg	900kg



AP1010

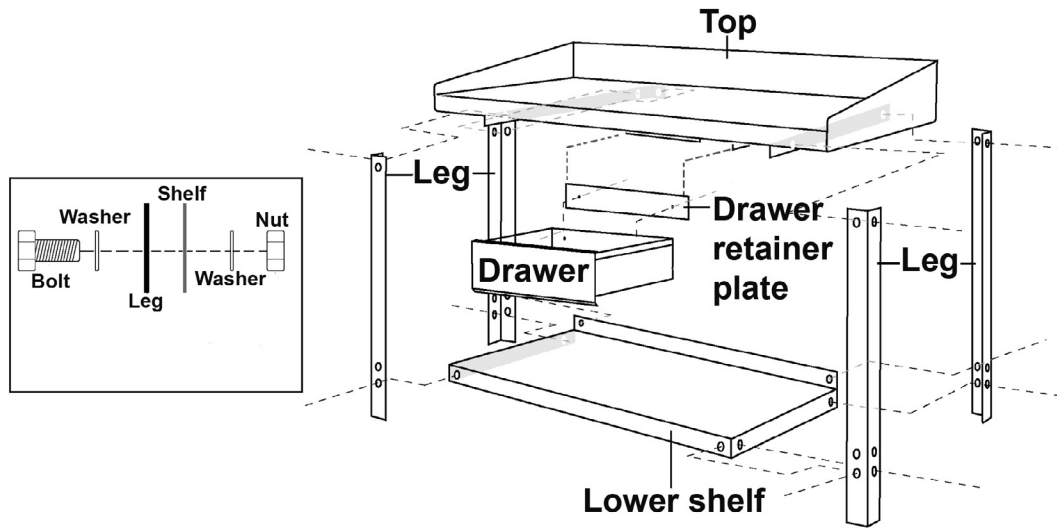


AP1015 / AP1020

4. CONTENTS

Item	Quantity	Item	Quantity
Workbench top	1	Self tapping screws	2
Lower shelf	1	Bolts	16
Drawer & retaining plate	1	Nuts	16
Legs	4	Washers	32

fig.2



5. ASSEMBLY

- ❑ **WARNING!** The workbenches are heavy. One person should not attempt to move the unassembled bench in the box, on their own.
- 5.1. Ensure that there is adequate manpower or lifting equipment to place the box in the area in which it is intended to carry out the assembly. Ensure that the box is the right way up by referring to the symbols printed on the side of the box. Remove all parts and fixings from the box.
- 5.2. Ensure that you have adequate help to remove the bench top from the box as it is too heavy for one person to lift safely.
- 5.3. Unpack workbench and check to make sure that it has not been damaged during transit and check the contents against the contents list.
- 5.4. Should there be any damaged or missing parts contact your supplier immediately.
Note: All four legs of the workbench are identical.
- 5.5. **REAR LEGS**
 - 5.5.1. Rest the workbench top on its rear edge.
 - 5.5.2. Align the two holes at the top of one of the legs with the two holes located at the rear of the mounting bracket.
 - 5.5.3. Insert a bolt with a washer through each of the holes of the leg and then through the mounting bracket holes.
 - 5.5.4. Place a washer and nut onto each of the bolts and hand tighten (fig.2).
 - 5.5.5. Repeat steps for the other rear leg.
Note: **DO NOT** fully tighten the nuts at this time.
- 5.6. **FRONT LEGS**
 - 5.6.1. Align the two holes at the top of one of the legs with the two holes located at the front of the mounting bracket.
 - 5.6.2. Insert a bolt with a washer through each of the holes of the leg and then through the mounting bracket holes.
 - 5.6.3. Place a washer and nut onto each of the bolts and hand tighten (fig.2).
 - 5.6.4. Repeat steps for the other front leg.
Note: **DO NOT** fully tighten the nuts at this time.
- 5.7. **LOWER SHELF**
 - 5.7.1. Align the holes in the lower shelf with the holes in the legs.
 - 5.7.2. Insert a bolt with a washer through each of the holes in the legs and through the corresponding holes in the lower shelf.
 - 5.7.3. Place a washer and nut onto each of the bolts and hand tighten (fig.2).
Note: **DO NOT** fully tighten the nuts at this time.
 - 5.7.4. Set the workbench upright onto its feet. Make sure it is completely stable and resting on all four legs on level ground, then fully tighten all nuts and bolts.
- ❑ **WARNING!** **DO NOT** place any weight on the workbench until all the nuts and bolts have been fully tightened.
- 5.8. **DRAWER**
 - 5.8.1. Install the drawer by sliding it into place on the drawer runners (AP1015 and AP1020 have 2 choices of position).
 - 5.8.2. Once drawer is in place on the drawer runners, align the holes of the retaining plate with the holes on the rear wall of the drawer.
 - 5.8.3. Using the two self tapping screws, fasten the drawer retaining plate to the rear of the drawer.



ENVIRONMENT PROTECTION

Recycle unwanted materials instead of disposing of them as waste. All tools, accessories and packaging should be sorted, taken to a recycling centre and disposed of in a manner which is compatible with the environment. When the product becomes completely unserviceable and requires disposal, drain any fluids (if applicable) into approved containers and dispose of the product and fluids according to local regulations.

Note: It is our policy to continually improve products and as such we reserve the right to alter data, specifications and component parts without prior notice.

Important: No Liability is accepted for incorrect use of this product.

Warranty: Guarantee is 12 months from purchase date, proof of which is required for any claim.

Sealey Group, Kempson Way, Suffolk Business Park, Bury St Edmunds, Suffolk. IP32 7AR



01284 757500



01284 703534



sales@sealey.co.uk



www.sealey.co.uk