



20V 18G CORDLESS STAPLE/NAIL GUN - BODY ONLY

MODEL NO: **CP20VNG**

Thank you for purchasing a Sealey product. Manufactured to a high standard, this product will, if used according to these instructions, and properly maintained, give you years of trouble free performance.

IMPORTANT: PLEASE READ THESE INSTRUCTIONS CAREFULLY. NOTE THE SAFE OPERATIONAL REQUIREMENTS, WARNINGS & CAUTIONS. USE THE PRODUCT CORRECTLY AND WITH CARE FOR THE PURPOSE FOR WHICH IT IS INTENDED. FAILURE TO DO SO MAY CAUSE DAMAGE AND/OR PERSONAL INJURY AND WILL INVALIDATE THE WARRANTY. KEEP THESE INSTRUCTIONS SAFE FOR FUTURE USE.



Refer to instructions



Wear eye protection



Wear protective gloves



Wear ear protection



Keep People Away



Keep away from rain



1. SAFETY

- WARNING! DO NOT rest your finger on the trigger when picking up the tool, moving between operating areas and positions or walking, as resting finger on trigger can lead to inadvertent operation. For tools with selective actuation, always check the tool before use to ascertain the correct mode is selected.**
- WARNING! This tool has either selective actuation for contact actuation or continuous contact actuation by actuation mode selectors or is a contact actuation or continuous actuation contact tool and has been marked with the symbol above (*). Its intended uses are for production applications such as pallets, furniture, manufactured housing, upholstery and sheathing. If using this tool in selective actuation mode, always ensure it is in the correct actuation setting.**
- * **DO NOT use this tool in contact actuation mode for applications such as closing boxes or crates and fitting transportation safety systems on trailers and lorries.**
- ✓ **Be careful when changing from one driving location to another.**
- WARNING! DO NOT use the nail gun if damaged, has missing parts or is thought to be faulty. DO NOT use the tool if the trigger does not turn the tool on and off. The tool must be repaired. Contact your Service Agent.**
- WARNING! Remove the battery pack when a fastener jams in the tool, making any adjustments, or storing the tool.**
- WARNING! Never engage in horseplay with the tool. DO NOT point the tool towards yourself or anyone nearby.**
- WARNING! Always wear approved eye, face and hand protection when operating the nail gun. Wear a full face shield if stapling produces metal filings or wood chips.**
- WARNING! Store idle power tools out of reach of children and DO NOT allow persons unfamiliar with the tool or the instructions to operate the tool.**
- WARNING! Always assume that the tool contains fasteners.**
- ✓ Dress properly. **DO NOT** wear loose clothing or jewellery. Keep hair, clothing and gloves away from moving parts.
- ✓ Use the tool in accordance with these instructions taking into account the working conditions and the work to be performed.
- WARNING! Keep hands, face, feet and all parts of the body away from the firing head at all times.**
- * **DO NOT use the nail gun for a task it is not designed to perform. DO NOT force the tool.**
- * **DO NOT point the tool towards yourself or anyone nearby.** Unexpected triggering will discharge the fastener causing an injury.
- * **DO NOT actuate the tool unless it is placed firmly against the workpiece. If the tool is not in contact with the workpiece, the fastener may be deflected away from your target.**
- * **DO NOT operate the nail gun near flammable substances or flammable containers.**
- * **DO NOT use the nail gun unless you have been instructed in its use by a qualified person.**
- * **DO NOT operate the nail gun if you are tired or under the influence of alcohol, drugs or intoxicating medication.**
- * **DO NOT carry the nail gun with your hand on the power trigger in order to avoid unintentional firing.**
- * **DO NOT load bent or damaged staples into the magazine.**
- * **DO NOT overreach. Keep proper footing and balance at all times. Ensure the floor is not slippery and wear non-slip shoes.**
- * **DO NOT drive staples into thin boards or near the corners of the workpiece.**
- ▲ **DANGER! When putting the nail gun down, ensure that the trigger safety slide is not fouled, risking accidental firing.**
- ✓ Avoid unintentional firing. Keep fingers away from the trigger when not driving staples.
- WARNING! Disconnect the battery especially when loading staples, when carrying the tool, handing the tool to another person, leaving the work area, making adjustments to the tool, clearing a jam or whenever it is left unattended.**
- WARNING! Use caution when clearing a jammed fastener. The mechanism may be under compression and the fastener may be forcibly discharged while attempting to free jammed condition.**
- ✓ Check the safety mechanism before use. Never use the stapler unless the safety is operating properly, otherwise the stapler could drive a staple unexpectedly.
- ✓ Place the tool properly on the workpiece. **DO NOT** drive staples one on top of another or with the tool at too steep an angle. The staples could ricochet.
- ✓ Keep the work area clean and well lit.
- ✓ Maintain the nail gun in good condition and replace any damaged or worn parts. Check for misalignment or binding of moving parts and any other condition that may affect the tool's operation, have the tool repaired before use. Use genuine parts only. Unauthorised parts may be dangerous and will invalidate the warranty.
- ✓ Have the tool serviced by a qualified repair person using only identical replacement parts.
- ✓ Follow all workshop safety rules, regulations, and conditions when using the nail gun.
- ✓ Keep children and non essential persons away from the working area.

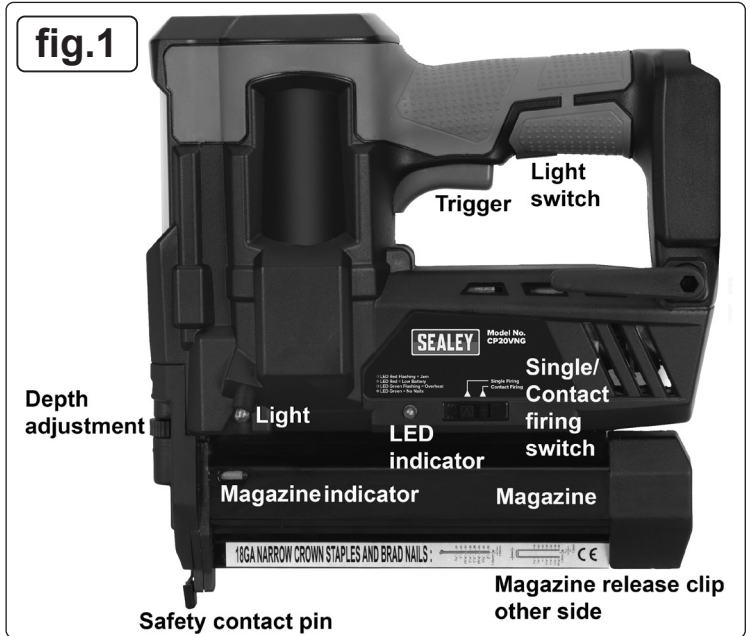
- ✓ When not in use, disconnect from the air supply, remove the staples from the magazine and store cased in a safe, dry, childproof location.
- ❑ **WARNING! The warnings, cautions and instructions in this manual cannot cover all possible conditions and situations that may occur. It must be understood by the operator that common sense and caution are factors which cannot be built into this product, but must be applied by the operator.**

2. INTRODUCTION

Powerful, compact cordless nail and staple gun can drive up to 50mm 18G nails or 40mm 18G staples into wood, without compressed air or mains power supply. Robust composite housing incorporates two LED lights for use in low light areas. Selectable single or contact firing allows use for different applications. Features an adjustable drive depth wheel for accurate results. Safety trigger device prevents accidental firing of nails or staples. Requires compatible 20V battery and mains charger, sold separately.

3. SPECIFICATION

Model No. CP20VNG
 Battery 20V 2Ah - 6Ah Lithium-ion (not included)
 Consumable parts:
 CP20VBP2 - 2Ah Battery, CP20VBP4 - 4Ah Battery,
 CP20VBP6 - 6Ah Battery
 Nail capacity 10-50mm 18SWG
 Replacement parts
 CP20VMC - Mains Charger (not included)
 Vibration/uncertainty 1.39m/s²/1.5m/s²
 Noise Power/Pressure 91/80 dB(A)

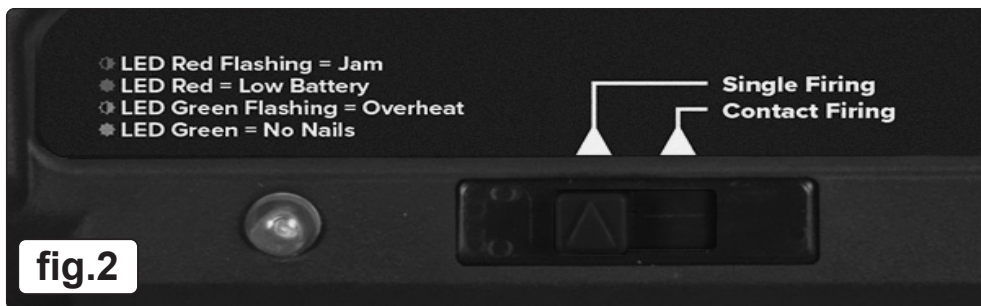


4. OPERATION

The machine is intended for tacking of cardboard, insulating material, fabric, foils, leather and similar materials on surfaces of wood or materials similar to wood. The machine is not suitable for the attachment to brick, concrete etc.

4.1. LED INDICATOR

4.1.1. The LED will be on to indicate status of power tool and charger:



LED RED flashing: Jam
 LED RED: Low battery
 LED GREEN flashing: Overheat
 LED Green: No nails

4.2. INSERTING AND REMOVING THE BATTERY

- 4.2.1. Insert the battery pack into the grip until it clicks in place.
- 4.2.2. To remove the battery pack, press the lock button to pull the pack out of the machine.

LED LIGHTING

4.2.3. Two Led lights one in each side can be turned on when the machine is working, fig.1.

4.3. CHECKING THE CONTACT TRIP MECHANISM

- 4.3.1. Remove all staples or nails from the magazine.
- 4.3.2. Press the safety nose/contact pin and pull the trigger. The safety nose/contact pin and the trigger should move freely.
- 4.3.3. Reload the staples or nails to the magazine.

* **DO NOT** use the tool if the safety nose/contact pin cannot move freely.

4.3.4. Place the contact pin on the workpiece and press the machine without pulling the trigger, the machine should not fire ; Take the machine from the workpiece, the contact pin should spring back automatically. Pull the trigger, The machine should not fire.

4.4. INSERTING STAPLES OR NAILS INTO THE MAGAZINE

NOTE: The number of staples or nails left in the magazine can be read using the viewing window.

- ❑ **WARNING! REMOVE BATTERY PACK FROM THE TOOL.**
- ❑ **WARNING! Keep the tool pointed away from yourself and others when loading fasteners. Failure to do so could result in possible serious personal injury.**
- ❑ **WARNING! Never load fasteners with the workpiece contact or trigger activated. Doing so could result in possible serious personal injury.**

- 4.4.1. Press the release button and pull out the magazine.
 - 4.4.2. Tilt the tool and place nails/staples into the track of the magazine channel.
 - 4.4.3. Make sure that the fasteners are placed correctly, see fig's.3 and 4.
 - a) Staples are placed against the profiled side of the rail, the crown of the staple is in the uppermost part of the magazine (legs are facing away from the body of the tool).
 - b) Nails are placed against the profiled side of the rail, with the points of the nails facing downwards.
 - 4.4.4. Close the magazine cover until it engages with the release button.

NOTE: The number of staples or nails left in the magazine can be seen using the magazine indicator.
Reattach battery pack to tool.
- WARNING!: DO NOT** place fasteners of different length. **DO NOT** place staples and nails mixed together.

A. Loading staples:



B. Loading nails:



4.5. INSTRUCTIONS FOR USE

- WARNING! Keep the tool pointed away from yourself and others when loading fasteners. Failure to do so could result in possible serious personal injury.**
- WARNING!** When loading the tool's magazine, check that the nail tips contact the wear rail and slide smoothly against the surface of the magazine. If the nails are not loaded properly, the tool will misfire and nails can be deflected, causing the tool to react in an unexpected manner, and damage the tool.

4.5.1. Prior to operation make sure your battery pack is fully charged.

4.5.2. Check whether the fasteners are placed in the magazine correctly.

4.6. NAILING OR STAPLING

- WARNING! This tool has either selective actuation for contact actuation or continuous contact actuation by actuation mode selectors or is a contact actuation or continuous actuation contact tool and has been marked with the symbol at the start of this manual (*). If using this tool in selective actuation mode, always ensure it is in the correct actuation setting.**

4.6.1. Hold handle firmly with magazine flat to work piece forming a 90° angle.

4.6.2. Two modes of firing: Single Firing and Contact Firing.

4.7. SINGLE FIRING MODE SEE FIG.5:

Push the single/contact firing switch, see fig.2, to left side, it is on Single Firing mode. Single Firing is good for precision placement.



The safety contact pin must be depressed before the trigger is squeezed.



Squeeze the trigger, keep squeezing and don't release.

fig.6

Depress the safety contact pin against the work piece to fire the nail or staple; Keep squeezing the trigger all the time but release safety contact pin after firing.



fig.7

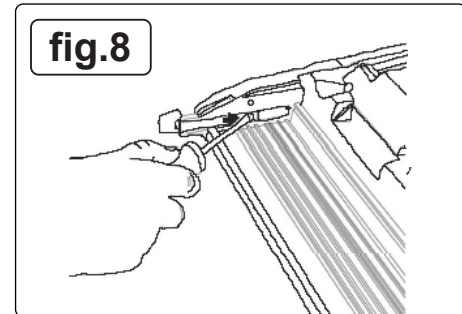


fig.8

4.8. CONTACT FIRING MODE SEE FIG.6:

Push the single/contact firing switch to the right side, see fig.2, it is on Contact Firing mode.

Contact Firing is good for quick and convenient firing.

The trigger must be kept depressed all the time so that every time the safety contact pin is depressed the tool is activated.

✗ **DO NOT** keep the trigger depressed when the tool is not in use or when it is in transit.

4.9. DEPTH ADJUSTMENT WHEEL, FIG.1

4.9.1. Depth adjustment helps protect work surface and allows proper setting of nail heads.

4.9.2. Turn the depth adjustment wheel, see fig.1, to alter the depth of penetration of the nails/staples.

4.10. REMOVING A JAMMED NAIL OR STAPLE SEE FIG'S 7&8

WARNING! Never load fasteners with the workpiece contact or trigger activated. Doing so could result in possible serious personal injury. **NOTE:** You must remove any jammed nail/staple before using the tool any further. Otherwise, it could cause damage to the mechanism.

WARNING! Remove the battery pack from the tool.

4.10.1. Open the magazine, remove the staples or nails in channel.

Then, to remove the jammed fasteners.

4.10.2. If the fasteners remain jammed after following the above instructions, slightly loosen the four hex screws on the nose piece with the wrench provided, take off the nose cover then remove the jammed fastener parts, see fig's 7 and 8.

4.10.3. Remove the jammed nail with pliers if necessary. After the jammed nail has been successfully removed, then re-tighten the nose piece with hex screws securely.

Sometimes after a jam, the driver remains stuck and does not return to its position. Take a flat screwdriver and push it back into place.

4.10.4. Reload the staples/nails, close the magazine, then insert the battery.

5. MAINTENANCE

Have your power tool serviced by a qualified repair person using only genuine replacement parts. This will ensure that the safety of the power tool is maintained.

WARNING! – Risk of Hand Arm Vibration Injury.

This tool may cause Hand Arm Vibration Syndrome if its use is not managed adequately.

This tool is subject to the vibration testing section of the Machinery Directive 2006/42/EC.

This tool is to be operated in accordance with these instructions.

Measured vibration emission value (a): 1.39 m/s²

Uncertainty value (k): 1.5 m/s²

Please note that the application of the tool to a sole specialist task may produce a different average vibration emission. We recommend that a specific evaluation of the vibration emission is conducted prior to commencing with a specialist task.

A health and safety assessment by the user (or employer) will need to be carried out to determine the suitable duration of use for each tool.

NB: Stated Vibration Emission values are type-test values and are intended to be typical.

Whilst in use, the actual value will vary considerably from and depend on many factors.

Such factors include; the operator, the task and the inserted tool or consumable.

NB: ensure that the length of leader hoses is sufficient to allow unrestricted use, as this also helps to reduce vibration.

The state of maintenance of the tool itself is also an important factor, a poorly maintained tool will also increase the risk of Hand Arm Vibration Syndrome.

Health surveillance.

We recommend a programme of health surveillance to detect early symptoms of vibration injury so that management procedures can be modified accordingly.

Personal protective equipment.

We are not aware of any personal protective equipment (PPE) that provides protection against vibration injury that may result from the uncontrolled use of this tool. We recommend a sufficient supply of clothing (including gloves) to enable the operator to remain warm and dry and maintain good blood circulation in fingers etc. Please note that the most effective protection is prevention, please refer to the Correct Use and Maintenance section in these instructions. Guidance relating to the management of hand arm vibration can be found on the HSC website

www.hse.gov.uk - Hand-Arm Vibration at Work.



ENVIRONMENT PROTECTION

Recycle unwanted materials instead of disposing of them as waste. All tools, accessories and packaging should be sorted, taken to a recycling centre and disposed of in a manner which is compatible with the environment. When the product becomes completely unserviceable and requires disposal, drain any fluids (if applicable) into approved containers and dispose of the product and fluids according to local regulations.



WEEE REGULATIONS

Dispose of this product at the end of its working life in compliance with the EU Directive on Waste Electrical and Electronic Equipment (WEEE). When the product is no longer required, it must be disposed of in an environmentally protective way. Contact your local solid waste authority for recycling information.



BATTERY REMOVAL

Under the Waste Batteries and Accumulators Regulations 2009, Jack Sealey Ltd are required to inform potential purchasers of products containing batteries (as defined within these regulations), that they are registered with Valpak's registered compliance scheme. Jack Sealey Ltd Batteries Producer Registration Number (BPRN) is BPRN00705.

Note: It is our policy to continually improve products and as such we reserve the right to alter data, specifications and component parts without prior notice.

Important: No Liability is accepted for incorrect use of this product.

Warranty: Guarantee is 12 months from purchase date, proof of which is required for any claim.

Sealey Group, Kempson Way, Suffolk Business Park, Bury St Edmunds, Suffolk. IP32 7AR



01284 757500



01284 703534



sales@sealey.co.uk



www.sealey.co.uk