



# 20" INDUSTRIAL HIGH VELOCITY PEDESTAL FAN

MODEL No: **HVF20P.V2**

Thank you for purchasing a Sealey product. Manufactured to a high standard, this product will, if used according to these instructions, and properly maintained, give you years of trouble free performance.

**IMPORTANT:** PLEASE READ THESE INSTRUCTIONS CAREFULLY. NOTE THE SAFE OPERATIONAL REQUIREMENTS, WARNINGS & CAUTIONS. USE THE PRODUCT CORRECTLY AND WITH CARE FOR THE PURPOSE FOR WHICH IT IS INTENDED. FAILURE TO DO SO MAY CAUSE DAMAGE AND/OR PERSONAL INJURY AND WILL INVALIDATE THE WARRANTY. KEEP THESE INSTRUCTIONS SAFE FOR FUTURE USE.



Refer to  
instruction  
manual



Indoor use only

## 1. SAFETY

### 1.1. ELECTRICAL SAFETY

- **WARNING!** It is the user's responsibility to check the following:

Check all electrical equipment and appliances to ensure that they are safe before using. Inspect power supply leads, plugs and all electrical connections for wear and damage. Sealey recommend that an RCD (Residual Current Device) is used with all electrical products. You may obtain an RCD by contacting your local Sealey stockist.

If the product is used in the course of business duties, it must be maintained in a safe condition and routinely PAT (Portable Appliance Test) tested.

Electrical safety information, it is important that the following information is read and understood.

- 1.1.1. Ensure that the insulation on all cables and on the appliance is safe before connecting it to the power supply.
- 1.1.2. Regularly inspect power supply cables and plugs for wear or damage and check all connections to ensure that they are secure.
- 1.1.3. **Important:** Ensure that the voltage rating on the appliance suits the power supply to be used and that the plug is fitted with the correct fuse - see fuse rating in these instructions.

- × **DO NOT** pull or carry the appliance by the power cable.
- × **DO NOT** pull the plug from the socket by the cable.
- × **DO NOT** use worn or damaged cables, plugs or connectors. Ensure that any faulty item is repaired or replaced immediately by a qualified electrician.

- 1.1.4. This product is fitted with a BS1363/A 13 Amp 3 pin plug.  
If the cable or plug is damaged during use, switch the electricity supply and remove from use.  
Ensure that repairs are carried out by a qualified electrician.

Replace a damaged plug with a BS1363/A 13 Amp 3 pin plug. If in doubt contact a qualified electrician.

A) Connect the GREEN/YELLOW earth wire to the earth terminal 'E'.

B) Connect the BROWN live wire to the live terminal 'L'.

C) Connect the BLUE neutral wire to the neutral terminal 'N'.

Ensure that the cable outer sheath extends inside the cable restraint and that the restraint is tight.

Sealey recommend that repairs are carried out by a qualified electrician.

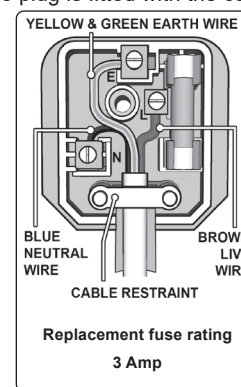
### 1.2. GENERAL SAFETY

- ✓ Disconnect the fan from the mains power when not in use, and before servicing or performing any maintenance.
- ✓ Use the fan in dry areas only. **DO NOT** use in wet or areas with high condensation such as showers, pools etc.
- **WARNING!** If the fan falls into water or other liquid, switch off and disconnect from the mains power supply immediately. **DO NOT** touch the fan until the mains power supply has been disconnected.
- ✓ Always disconnect the fan from the power supply when moving it from one location to another and ensure fan stands on a level surface.
- ✓ The fan air flow is powerful. Before using ensure there are no materials or items that may be blown about by the stream of air.
- ✓ Keep the fan clean and maintained in good condition. For electrical components or motor service contact an authorised service agent.
- ✓ Use recommended parts only (unapproved parts may be dangerous, and will invalidate your warranty).
- × **DO NOT** operate the fan where there are harmful, explosive or flammable gases, fumes or hazardous substances.
- × **DO NOT** stand the fan on the electrical power cable.
- × **DO NOT** insert any objects through the fan guard.
- × **DO NOT** cover the fan when in use.
- × **DO NOT** immerse the fan in water or any other liquid.
- × **DO NOT** allow children to operate the fan.
- × **DO NOT** stand the fan where it may be knocked over or off a surface, or where the lead may cause a person to trip.
- × **DO NOT** use the fan outdoors.
- × **DO NOT** modify speed control or attempt to fit any additional external speed control device to the fan.
- ✓ When not in use cover the fan to protect from dust, and store in a safe, dry, childproof location.

**NOTE:** This appliance can be used by children aged from 8 years and above and persons with reduced physical, sensory or mental capabilities or lack of experience and knowledge if they have been given supervision or instruction concerning use of the appliance in a safe way and understand the hazards involved. Children shall not play with the appliance. Cleaning and user maintenance shall not be made by children without supervision.

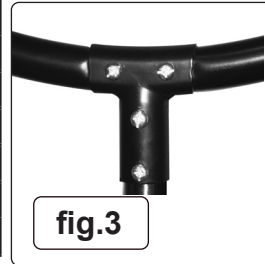
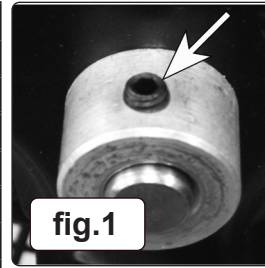
## 2. INTRODUCTION

High velocity fan suitable for movement of huge volumes of air. Features 3-speed settings for choice of airflow, tilting blade cradle through 135° angle and height-adjustable stand. Fully guarded blades with large diameter base for safety and added stability. Mains cable storage keeps it tidy when not in use. Suitable for industrial, commercial, agricultural, workshop and showroom applications.



### 3. SPECIFICATION

Model No:	HVF20P.V2
Fan Ø:	Ø550mm(20")
Speeds:	3
Speed Range:	1100/1250/1350rpm
Current:	0.5A
Power:	111W
Supply:	230V
Height:	1300-1410mm
Maximum Fan Flow Rate:	88.59 m³/min
Maximum Airflow:	138m³/min(4875cfm)
Fan Power Input (P):	110.24W
Service Value (SV):	0.80 (m³/min)/W
Standby Power Consumption (Psb):	0.0W
Seasonal Electrical Consumption (Q):	35.28kWh/a
Fan Sound Power Level (Lwa):	70.80dB(A)
Maximum Air Velocity (c):	4.01m/s



### 4. ASSEMBLY

- 4.1. Fit the fan to the motor shaft by tightening the grub screw onto the machined flat (fig.1).
- 4.2. Connect the front fan guard to the rear fan guard by screwing through the locations using the 6 screws supplied (fig.2).
- 4.3. Bolt the outer tubular stand to the base using the fixings supplied.
- 4.4. Slide the inner tubular stand into the outer tubular stand, fit and tighten the column lock to hold at the required height.
- 4.5. Connect the semi-circular yoke to the inner tubular stand by means of the connector (fig.3) using the nuts, bolts and washers supplied.
- 4.6. Locate the motor housing and rear guard into the yoke and fix in place using the nuts, bolts and washers supplied.
- 4.7. Slide the fan onto the shaft and tighten the fixing screw.

### 5. OPERATION

**IMPORTANT:** Ensure that all safety instructions from section 1 have been read and understood before using the fan.

- 5.1. Set the fan on a level, dry surface.
- 5.2. Plug the power cord into the mains supply.
- 5.3. The fan features 3 speeds - selectable using the switch located at the back of the fan. The fan speed increases as the switch is turned in a clockwise direction.
- 5.4. Adjust the direction of air flow up or down by loosening the nuts which secure the fan assembly to the yoke and tilting the fan assembly to the required angle and then tightening the nuts. To adjust the height setting, loosen the column lock, set at the desired height and then re-tighten.
- 5.5. When not in use, disconnect from power supply and store in a safe, dry, childproof location.

### 6. MAINTENANCE

- **IMPORTANT:** Turn the control switch to OFF and disconnect the fan from the power supply before cleaning.
- 6.1. Use only a soft, damp cloth to clean the fan.
  - 6.2. **DO NOT** submerge the fan in water and **NEVER** allow water to drip into the motor housing.
  - 6.3. **DO NOT** use solvents or other chemicals to clean the fan.
  - 6.4. To clean the fan blades, remove the 6 screws around the guards and then lift off the front guard from the top hook.
  - 6.5. Wipe the blades and guards.
  - 6.6. Reassemble by hooking the front guard into place at the top of the rear guard and then replace the 6 screws so that they engage both the front and rear guards.



#### ENVIRONMENT PROTECTION

Recycle unwanted materials instead of disposing of them as waste. All tools, accessories and packaging should be sorted, taken to a recycling centre and disposed of in a manner which is compatible with the environment. When the product becomes completely unserviceable and requires disposal, drain any fluids (if applicable) into approved containers and dispose of the product and fluids according to local regulations.



#### WEEE REGULATIONS

Dispose of this product at the end of its working life in compliance with the EU Directive on Waste Electrical and Electronic Equipment (WEEE). When the product is no longer required, it must be disposed of in an environmentally protective way. Contact your local solid waste authority for recycling information.

**Note:** It is our policy to continually improve products and as such we reserve the right to alter data, specifications and component parts without prior notice.

**Important:** No Liability is accepted for incorrect use of this product.

**Warranty:** Guarantee is 12 months from purchase date, proof of which is required for any claim.

Sealey Group, Kempson Way, Suffolk Business Park, Bury St Edmunds, Suffolk. IP32 7AR



01284 757500



01284 703534



sales@sealey.co.uk



www.sealey.co.uk



# EC DECLARATION OF CONFORMITY

Description and Function: **Industrial High Velocity Pedestal Fan 20" 230V**

Model/Type: **HVF20P v2**

Manufacturing Date/Serial Number where applicable: .....  
Declaration of Conformity in accordance with Directive(s).

2014/30/EU EMC Directive	References to harmonised standard(s)	EN 61000-3-2:2014 .....
2011/65/EU RoHS Directive	EN 60335-1:2012+A11:2014 .....	EN 61000-3-3:2013 .....
2014/35/EU Low Voltage Directive	EN 60335-2-80:2003/A2:2009 .....	EN 62233:2008 .....
	EN 55014-1:2006+A1:2009+A2:2011 .....	EN 55014-2:2015 .....
	EN 55014-2:2015 .....	

This declaration of conformity is issued under the sole responsibility of the manufacturer:

**Sealey EU Ltd, Farney Street, Carrickmacross, Co. Monaghan, A81 PK68 Ireland**

Technical file compiled by: **Sealey EU Ltd**

Being the responsible person appointed by the manufacturer.

Signed *Steve Buckle* .....


Date 26/07/2021 .....

Name Steve Buckle .....

Position Marketing Director .....

Place: Carrickmacross

**Sealey EU Ltd, Farney Street, Carrickmacross, Co. Monaghan, A81 PK68 Ireland**

 [sales@sealey.ie](mailto:sales@sealey.ie)  [www.sealey.ie](http://www.sealey.ie)



# DECLARATION OF CONFORMITY

Description and Function: **Industrial High Velocity Pedestal Fan 20" 230V**

Model/Type: **HVF20P v2**

Manufacturing Date/Serial Number where applicable: .....  
Declaration of Conformity in accordance with Regulation(s).

EMC Regulations 2016	References to designated standard(s)	EN 61000-3-2:2014 .....
RoHS Regulations 2012	EN 60335-1:2012+A11:2014 .....	EN 61000-3-3:2013 .....
Electrical Equipment (Safety) Regulations 2016	EN 60335-2-80:2003/A2:2009 .....	EN 62233:2008 .....
	EN 55014-1:2006+A1:2009+A2:2011 .....	EN 55014-2:2015 .....
	EN 55014-2:2015 .....	

This declaration of conformity is issued under the sole responsibility of the manufacturer:

**Jack Sealey Ltd, Kempson Way, Suffolk Business Park, Bury St Edmunds, Suffolk. IP32 7AR**

Technical file compiled by: **Jack Sealey Ltd**

Being the responsible person appointed by the manufacturer.

Signed *Steve Buckle* .....

Date 26/07/2021 .....

Name Steve Buckle .....

Position Marketing Director .....

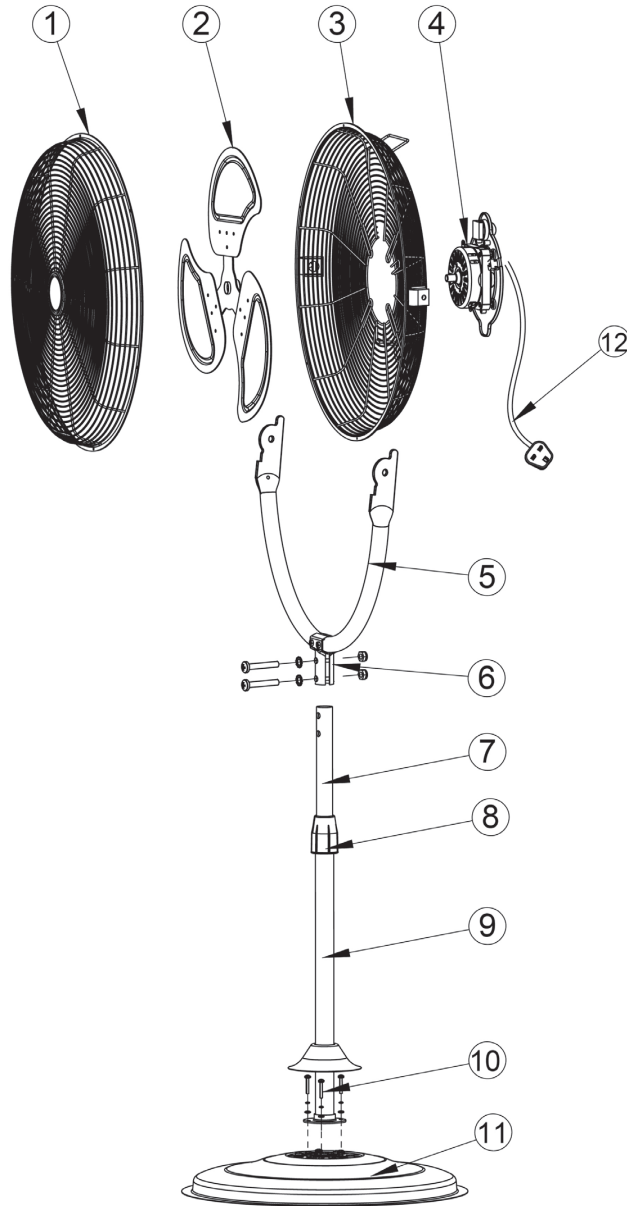
Place: Bury St Edmunds

**Sealey Group, Kempson Way, Suffolk Business Park, Bury St Edmunds, Suffolk. IP32 7AR**

 01284 757500  01284 703534  [sales@sealey.co.uk](mailto:sales@sealey.co.uk)  [www.sealey.co.uk](http://www.sealey.co.uk)



Parts Information:  
**Industrial High Velocity Pedestal Fan 20"**  
**230V**  
**Model No: HVF20PV2**



Item	Part No.	Description
1	HVF20PV2-01	FRONT GUARD
2	HVF20PV2-02	FAN BLADE
3	HVF20PV2-03	REAR GUARD
4	HVF20PV2-04	MOTOR
5	HVF20PV2-05	FAN SUPPORT (U-SHAPE)
6	HVF20PV2-06	MOUNTING PLATE

Item	Part No.	Description
7	HVF20PV2-07	UPRIGHT SUPPORT (UPPER)
8	HVF20PV2-08	HIGHT ADJUSTABLE KNOB
9	HVF20PV2-09	UPRIGHT SUPPORT (LOWER)
10	HVF20PV2-10	SCREW SET
11	HVF20PV2-11	BASE
12	HVF20PV2-12	POWER CORD & PLUG

**NOTE:** It is our policy to continually improve products and as such we reserve the right to alter data, specifications and component parts without prior notice.

**IMPORTANT:** No liability is accepted for incorrect use of product.

**WARRANTY:** Guarantee is 12 months from purchase date, proof of which will be required for any claim.

Sealey Group, Kempson Way, Suffolk Business Park, Bury St Edmunds, Suffolk. IP32 7AR



01284 757500



01284 703534



sales@sealey.co.uk



www.sealey.co.uk