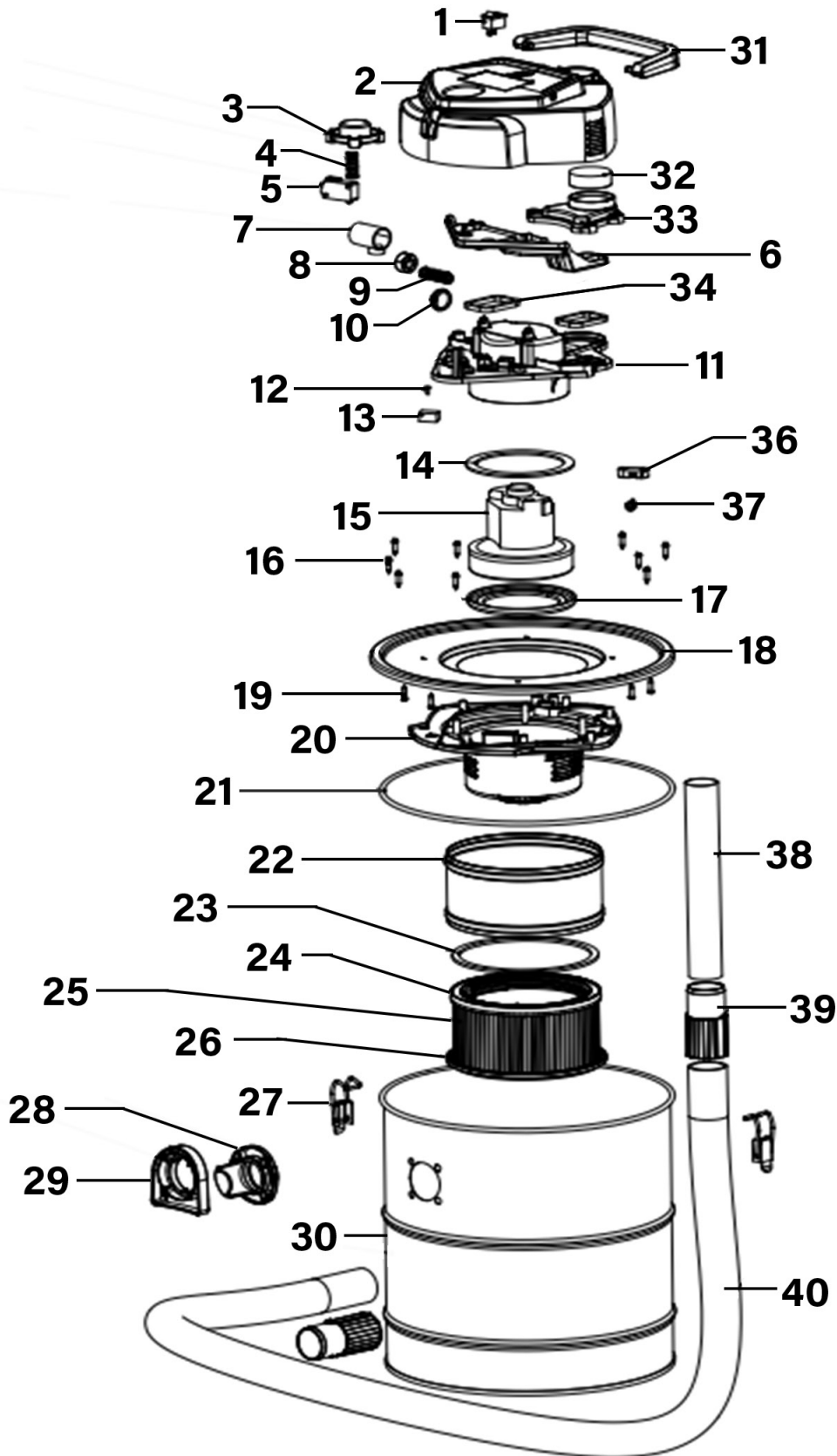




Parts Information:
3-in-1 Ash Vacuum Cleaner 1200W/230V
20L
Model No: PC200A



NOTE: It is our policy to continually improve products and as such we reserve the right to alter data, specifications and component parts without prior notice. There may be alternative versions of this product, please contact us should you require this information.

IMPORTANT: No liability is accepted for incorrect use of product. Spare parts must be fitted by a competent person

WARRANTY: Guarantee is 12 months from purchase date, proof of which will be required for any claim.

Sealey Group, Kempson Way, Suffolk Business Park, Bury St Edmunds, Suffolk. IP32 7AR



01284 757500



01284 703534



sales@sealey.co.uk



www.sealey.co.uk



Parts Information:
**3-in-1 Ash Vacuum Cleaner 1200W/230V
20L
Model No: PC200A**

Item	Part No.	Description
1	PC200A-01	Switch (On/Off)
2	PC200A-02	Top Cover
3	PC200A-03	Dust Shake Button
4	PC200A-04	Spring
5	PC200A-05	Safety Switch
6	PC200A-06	Air Flow Cover
7	PC200A-07	Air Flow Indicator Tube
8	PC200A-08	Air Flow Indicator
9	PC200A-09	Spring
10	PC200A-10	Air Flow Guide Cover
11	PC200A-11	Motor Cover
12	PC200A-12	Sealing Ring
13	PC200A-13	Switch Button
14	PC200A-14	Protection Seal (Upper)
15	PC200A-15	Motor
16	PC200A-16	Screw for Lower Tank Cover
17	PC200A-17	Protection Seal (Lower)
18	PC200A-18	Lower Tank Cover
19	PC200A-19	Screw for Lower Tank Cover
20	PC200A-20	Motor Base

Item	Part No.	Description
21	PC200A-21	Sealing Ring
22	PC200A-22	Metal Cover for HEPA Filter
23	PC200A-23	Sealing Ring for HEPA Filter
24	PC200A-24	HEPA Filter Upper Fixed Support
25	PC200ACF	HEPA Cartridge Filter for PC200A
26	PC200A-26	HEPA Filter Lower Fixed Support
27	PC200A-27	Tank Clip
28	PC200A-28	Suction Hose Inlet Base
29	PC200A-29	Suction Hose Inlet Base
30	PC200A-30	Tank 20L
31	PC200A-31	Handle for Top Cover
32	PC200A-32	Air Outlet Filter
33	PC200A-33	Air Outlet Cover
34	PC200A-34	Sealing Strip
36	PC200A-36	Cable Grip
37	PC200A-37	Wire Cap
38	PC200A-38	Aluminium Nozzle
39	PC200A-39	Suction Hose Adaptor
40	PC200A-40	1.2m Flexible Metal Lined Suction Hose

NOTE: It is our policy to continually improve products and as such we reserve the right to alter data, specifications and component parts without prior notice. There may be alternative versions of this product, please contact us should you require this information.

IMPORTANT: No liability is accepted for incorrect use of product. Spare parts must be fitted by a competent person

WARRANTY: Guarantee is 12 months from purchase date, proof of which will be required for any claim.

Sealey Group, Kempson Way, Suffolk Business Park, Bury St Edmunds, Suffolk. IP32 7AR



01284 757500



01284 703534



sales@sealey.co.uk



www.sealey.co.uk