



30L BAGLESS WET & DRY INDUSTRIAL VACUUM CLEANER 1200W STAINLESS STEEL DRUM

MODEL NO: **PC300BL**

Thank you for purchasing a Sealey product. Manufactured to a high standard, this product will, if used according to these instructions, and properly maintained, give you years of trouble free performance.

IMPORTANT: PLEASE READ THESE INSTRUCTIONS CAREFULLY. NOTE THE SAFE OPERATIONAL REQUIREMENTS, WARNINGS & CAUTIONS. USE THE PRODUCT CORRECTLY AND WITH CARE FOR THE PURPOSE FOR WHICH IT IS INTENDED. FAILURE TO DO SO MAY CAUSE DAMAGE AND/OR PERSONAL INJURY AND WILL INVALIDATE THE WARRANTY. KEEP THESE INSTRUCTIONS SAFE FOR FUTURE USE.



Refer to instruction manual



Wear protective clothing



Wear protective gloves



Wear ear protection

1. SAFETY

1.1. ELECTRICAL SAFETY

- ❑ **WARNING!** It is the user's responsibility to check the following:

Check all electrical equipment and appliances to ensure that they are safe before using. Inspect power supply leads, plugs and all electrical connections for wear and damage. Sealey recommend that an RCD (Residual Current Device) is used with all electrical products. You may obtain an RCD by contacting your local Sealey stockist.

If the product is used in the course of business duties, it must be maintained in a safe condition and routinely PAT (Portable Appliance Test) tested.

Electrical safety information: it is important that the following information is read and understood.

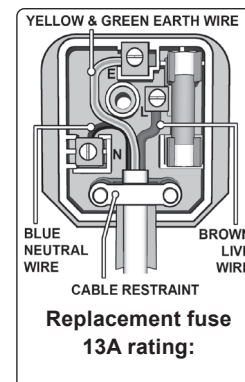
- 1.1.1. Ensure that the insulation on all cables and on the appliance is safe before connecting it to the power supply.
- 1.1.2. Regularly inspect power supply cables and plugs for wear or damage and check all connections to ensure that they are secure.
- 1.1.3. **Important:** Ensure that the voltage rating on the appliance suits the power supply to be used and that the plug is fitted with the correct fuse - see fuse rating in these instructions.
 - × **DO NOT** pull or carry the appliance by the power cable.
 - × **DO NOT** pull the plug from the socket by the cable.
 - × **DO NOT** use worn or damaged cables, plugs or connectors. Ensure that any faulty item is repaired or replaced immediately by a qualified electrician.
- 1.1.4. This product is fitted with a BS1363/A 13 Amp 3 pin plug.

If the cable or plug is damaged during use, switch the electricity supply off and remove from use. Ensure that repairs are carried out by a qualified electrician.

Replace a damaged plug with a BS1363/A 13 Amp 3 pin plug. If in doubt contact a qualified electrician.

 - A) Connect the GREEN/YELLOW earth wire to the earth terminal 'E'.
 - B) Connect the BROWN live wire to the live terminal 'L'.
 - C) Connect the BLUE neutral wire to the neutral terminal 'N'.

Ensure that the cable outer sheath extends inside the cable restraint and that the restraint is tight. Sealey recommend that repairs are carried out by a qualified electrician.



1.2. GENERAL SAFETY

- ✓ Disconnect the cleaner from the power supply before servicing, changing accessories, or performing any maintenance.
- ✓ Use only genuine parts and accessories. Unauthorised parts and accessories may be dangerous and will invalidate your warranty.
- ✓ Maintain the cleaner in good condition. Use an authorised agent for servicing. Keep machine clean, but **DO NOT** use solvents.
- ✓ For dry vacuuming ensure the cartridge filter is firmly in place before operating the cleaner.
- × **DO NOT** operate the unit without the cartridge filter in place (except when wet vacuuming). **Using the cleaner without a cartridge filter will cause machine faults and will invalidate your warranty.**
- ✓ Wear protective clothing and gloves.
- × **DO NOT** allow untrained persons to operate the cleaner.
- ✓ **NOTE:** This appliance can be used by children aged from 8 years and above and persons with reduced physical, sensory or mental capabilities or lack of experience and knowledge if they have been given supervision or instruction concerning use of the appliance in a safe way and understand the hazards involved. Children shall not play with the appliance. Cleaning and user maintenance shall not be made by children without supervision.
- × **DO NOT** place attachments close to your face (especially eyes, ears, etc). **DO NOT** point the hose end at other persons or animals.
- ▲ **DANGER! DO NOT** vacuum hot or glowing ash, cigarette ends, inflammable, explosive, corrosive or other dangerous substances.
- × **DO NOT** operate the unit without the dust bag or optional cartridge filter (except when wet vacuuming).
- × **DO NOT** leave machine running unattended. Turn power supply OFF, and **DO NOT** leave the vicinity until motor has come to a complete stop.
- × **DO NOT** operate the cleaner while under the influence of drugs, alcohol or impairing medication, or if you are tired.
- × **DO NOT** use the cleaner in the rain or in very damp conditions.
- × **DO NOT** use the cleaner for a task it is not designed to perform.
- ✓ When not in use, store the cleaner in a safe, dry, childproof location.

2. INTRODUCTION

High powered industrial unit features cyclonic technology. Bagless design prevents loss of suction improving efficiency. Outlet produces clean air suitable for use as a blower. Features safety shut-off for wet operation. Includes a strong, comfortable handle, hose brackets, accessory storage base, durable stainless steel tank, liquid drainage device and an 'auto power take off' socket. Supplied with 3.8m cable.

3. SPECIFICATION

Model No:.....PC300BL
Airflow:.....158m³/hr
Drum size:.....30L
Filter Type:.....Cartridge
Maximum Vacuum Pressure:.....180mbar
Motor Power:.....1200W
Supply:.....230V
Vacuum Accessories Diameter:.....Ø35mm

4. ASSEMBLY

4.1. CARTON CONTENT (fig.1)

- 4.1.1. Carefully unpack the carton.
- 4.1.2. Locate the two side clasps (fig.1.2) which hold the top section in place.
- 4.1.3. Undo the clasps, remove the top section and take out the items in the container.
- 4.1.4. Check and identify each component as listed. If anything is missing or damaged please contact your Sealey stockist.

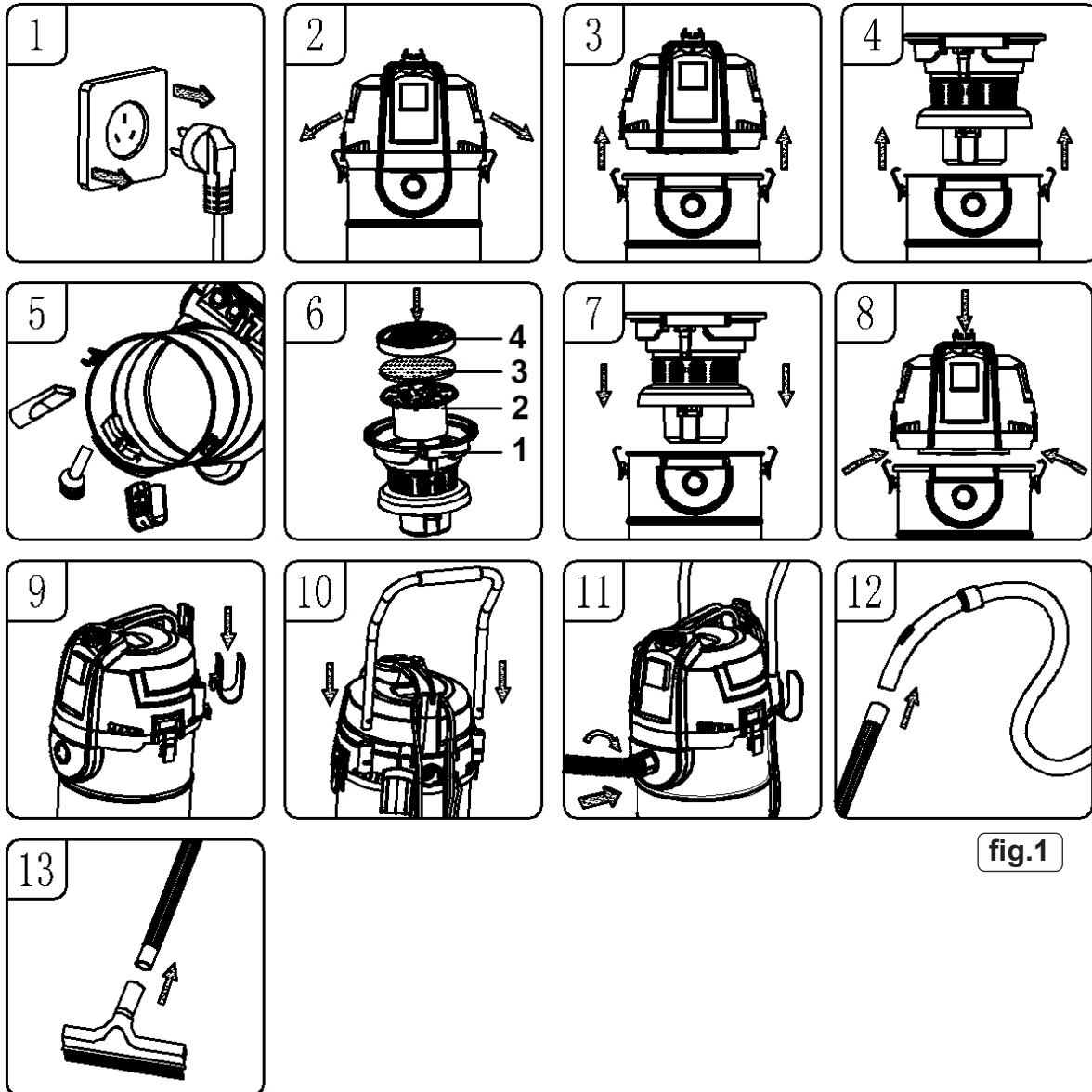


fig.1

4.2. ASSEMBLY (fig.1)

- 4.2.1. Ensure the mains plug is disconnected. (fig.1.1).
- 4.2.2. Undo clasps. (fig.1.2) .
- 4.2.3. Lift off the top section assembly and filter assembly. Remove contents from inside the container. (fig.1.3) (fig.1.4) (fig.1.5).
- 4.2.4. Check filter components are complete in the order as shown. (fig.1.6).
- 4.2.5. Replace the filter assembly and top section assembly onto the container. (fig.1.7).
- 4.2.6. Align up the top section with the clasps and snap into place by applying pressure at the mid point of the clasps. (fig.1.8)
- 4.2.7. Attach hose rack to the corresponding position on head assembly. (fig.1.9).
- 4.2.8. Insert handle into corresponding position on top cover. (fig.1.10).
- 4.2.9. Insert the large end of the hose into the front inlet of the container and lock in place by turning clockwise a quarter turn. (fig.1.11).
- 4.2.10. Choose the desired extension tubes and nozzle and connect onto the hose. (fig.1.12) (fig.1.13).

5. OPERATION

- ❑ **WARNING!** Ensure you read, understand and apply Section 1 'Safety Instructions'. Reminder: **DO NOT** vacuum hazardous substances. Use of an incorrect cartridge filter will invalidate your warranty.

5.1. DRY VACUUMING (fig.2)

- 5.1.1. Ensure the machine is unplugged from the power supply. (fig.2.1)
- 5.1.2. Loosen clips (fig.2.2) and remove the top section and filter assembly. (fig.2.3) (fig.2.4)
- 5.1.3. Check that filter components are present and assembled correctly. (fig.2.5).
- 5.1.4. Place assembled unit into the body (fig.2.6) and clip in place using side clips (fig.2.7).
- 5.1.5. Connect hose to body and rotate clockwise for a quarter of a turn to lock in place. (fig.2.8).
- 5.1.6. Assemble required tube and hose arrangement. (fig.2.9) (fig.2.10).
- 5.1.7. Plug into power supply (fig.2.11). Turn on and commence cleaning. (fig.2.12) (fig.2.13).
- 5.1.8. When you have completed vacuuming, press the switch to 'Off'

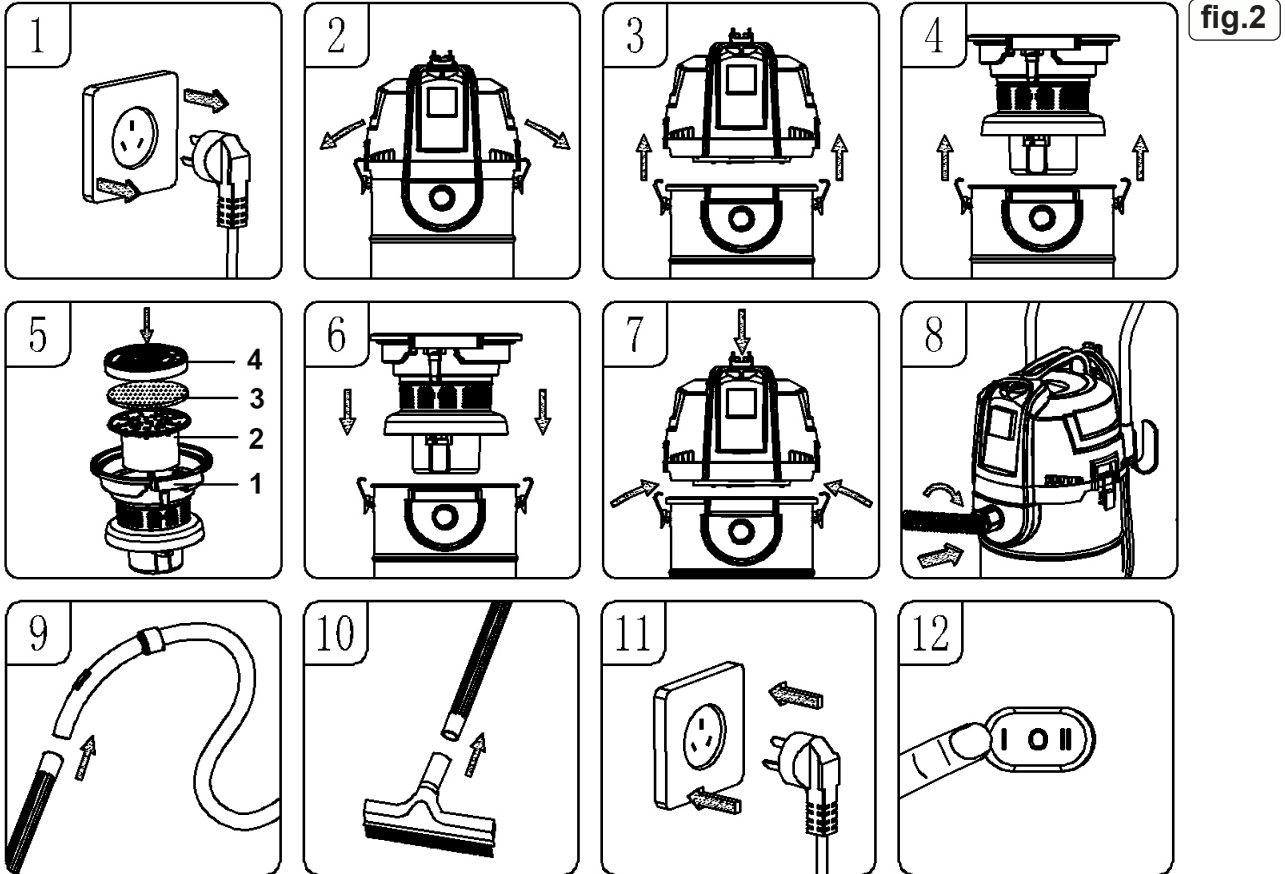


fig.2

5.2. EMPTYING DUST TANK (fig.3)

- 5.2.1. Turn off cleaner and disconnect from power supply. (fig.3.2) (fig.3.3)
- 5.2.2. Release side clips (fig.3.4) and lift off top assembly and filter assembly. (fig.3.5) (fig.3.6)
- 5.2.3. Carefully empty contents of cleaner body into suitable receptacle. (fig.3.7)
- 5.2.4. Separate filter assembly and clean off (brush gently or shake) into suitable receptacle. (fig.3.8)
- 5.2.5. Reassemble filter and replace into cleaner body. (fig.3.9) (fig.3.6)

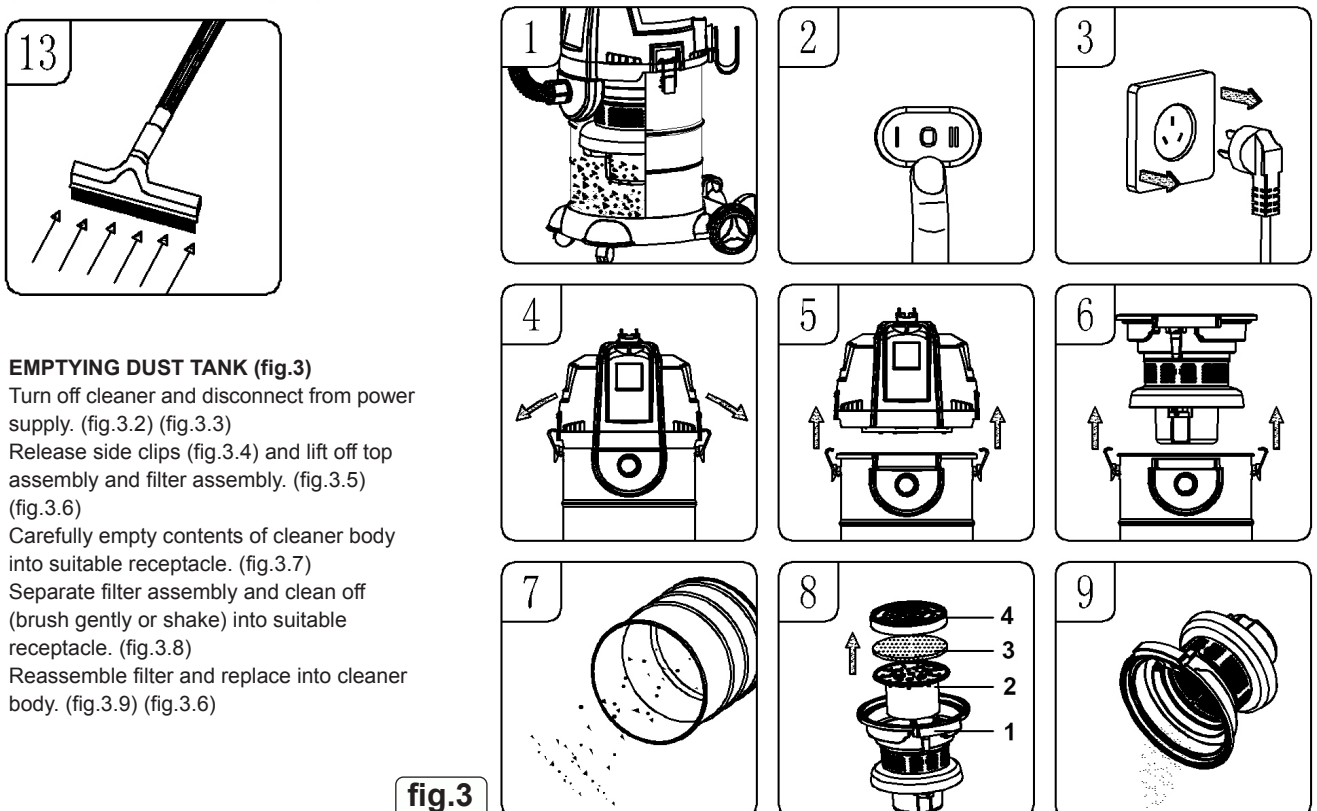
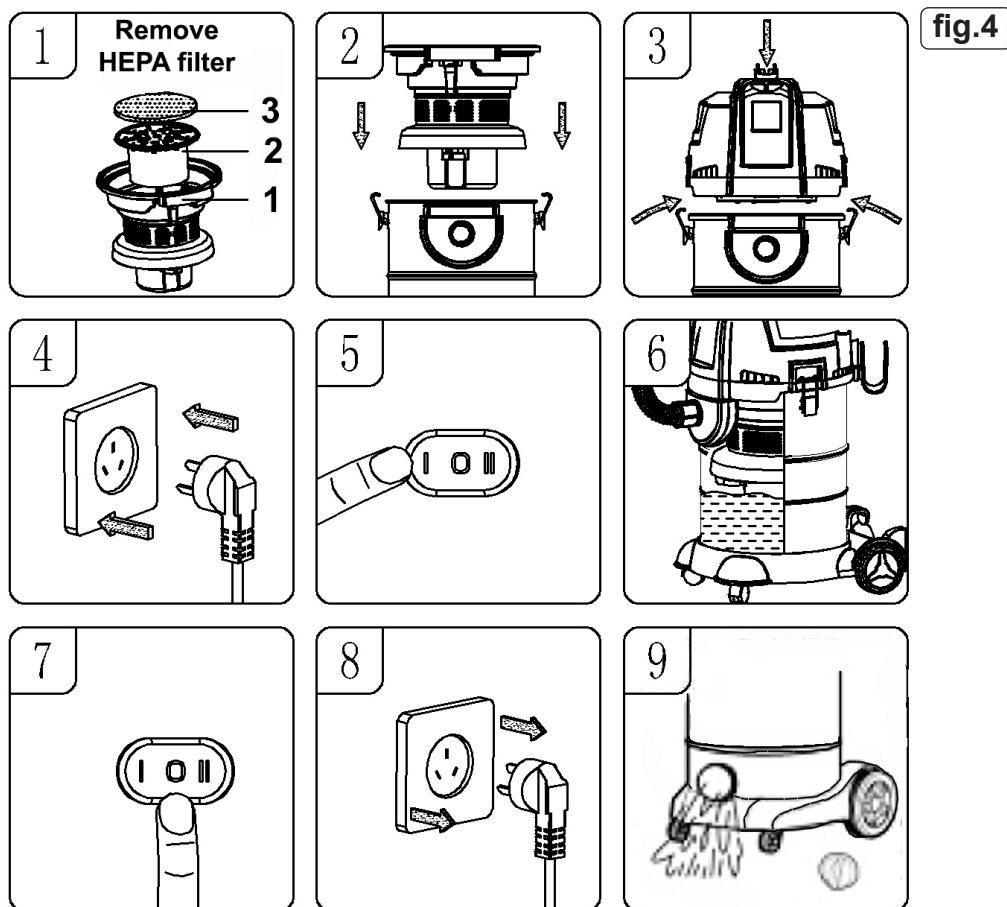


fig.3

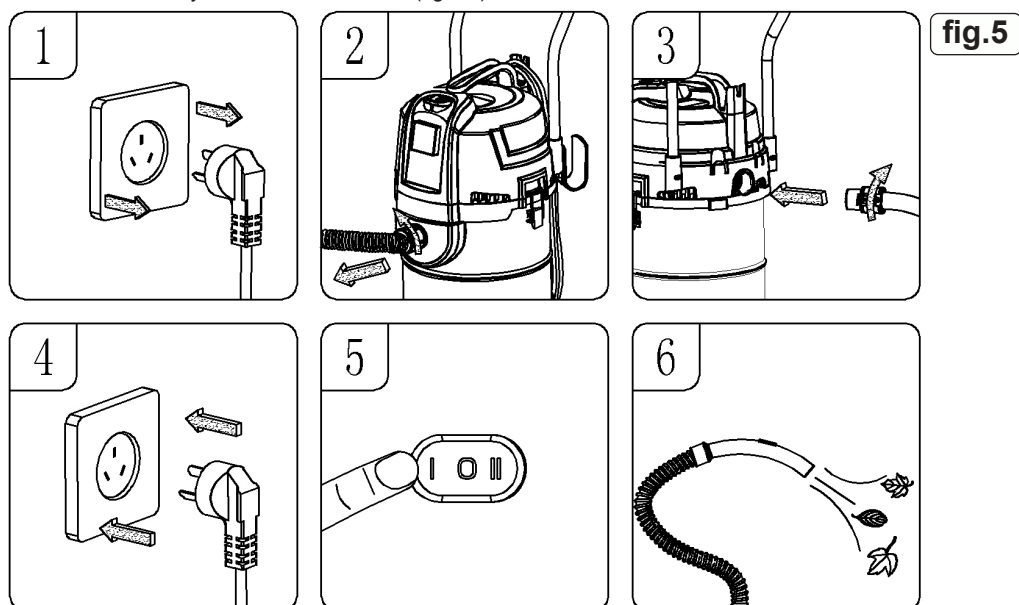
5.3. WET VACUUMING (fig.4)

- 5.3.1. Ensure machine is disconnected from power supply.
- 5.3.2. Remove HEPA filter from filter arrangement.
- 5.3.3. Check that filter components are assembled correctly. (fig.4.1)
- 5.3.4. Install filter assembly into cleaner body. (fig.4.2)
- 5.3.5. Install top assembly and lock in place. (fig.4.3)
- 5.3.6. Connect to power supply and power on. (fig.4.4) (fig.4.5)
- 5.3.7. When maximum capacity is reached the machine will stop running. (fig.4.6)
- 5.3.8. Turn off the power and disconnect from the power supply. (fig.4.7) (fig.4.8)
- 5.3.9. Unscrew drain cover and carefully empty contents of cleaner body into suitable receptacle. (fig.4.9)






5.4. BLOWER OPERATION (fig.5)

- 5.4.1. Ensure machine is disconnected from power supply. (fig.5.1)
- 5.4.2. Remove hose assembly from suction port. (fig.5.2)
- 5.4.3. Attach hose assembly to air outlet on rear of top assembly. (fig.5.3)
- 5.4.4. Connect to power supply and power on. (fig.5.4) (fig.5.5)
- 5.4.5. Aim hose assembly at area to be cleared. (fig.5.6)



5.5. SWITCH AND AUXILIARY SOCKET USE (fig.6)

- 5.5.1. **Switch operation:** Start vacuum “  “, Turn off “  “, Auxiliary power control “  “
- 5.5.2. To run vacuum select Start vacuum.
- 5.5.3. To run auxiliary power supply ensure machine is disconnected from power supply. fig.6.1)
- 5.5.4. Lift socket cover (fig.6.1) and insert auxiliary equipment plug (fig.6.2).
- 5.5.5. Connect to power supply and set rocker switch to Auxiliary power control (fig.6.3).
- 5.5.6. To switch on vacuum and auxiliary power simultaneously select Start vacuum followed by Auxiliary power.
- 5.5.7. The vacuum will switch off when power is not being drawn through by the auxiliary device within approximately 10 seconds.

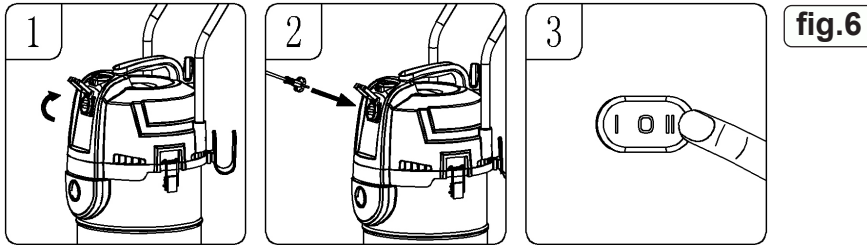


fig.6

6. MAINTENANCE

- 6.1. Ensure the machine is unplugged from the power supply.
- 6.2. Disconnect the hose from the container.
- 6.3. Undo the clasps and remove motor head from the container.
- 6.4. Clear out any dirt or debris from the container and hose.
- 6.5. Check the power cable to make sure it has not received any damage.
- 6.6. Handle the filters carefully when cleaning or installing.
- 6.7. The filter assembly contains four washable parts: plastic filter cover (fig.7.1.1) , filter core (fig.7.1.2), air-in sponge (fig.7.1.3) HEPA assembly (fig.7.1.4)
- 6.8. Wash the elements with cold or lukewarm water without use of detergent. (fig.7.2, fig.7.3, fig.7.4, fig.7.5).
- 6.9. Allow elements to air dry (fig.7.6). **DO NOT** use heating equipment.
- 6.10. Check all elements for damage and replace if necessary.

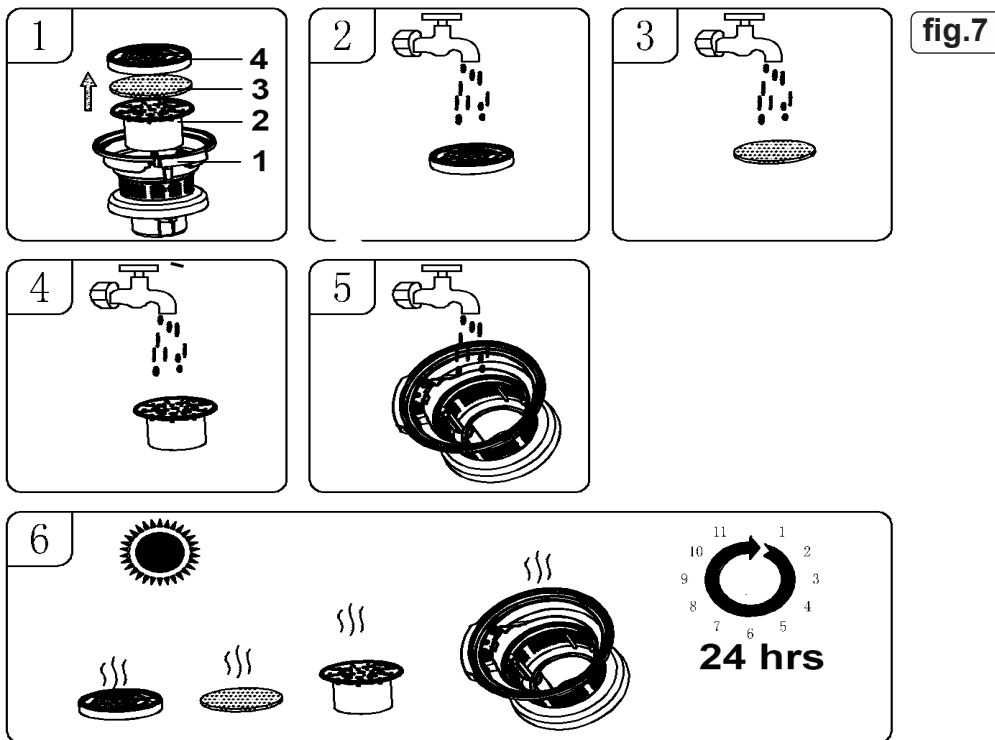


fig.7

7. TROUBLESHOOTING

Problem	Cause	Remedy
Cleaner will not operate.	No power supply. Faulty power cable, switch or motor. Container full.	Check supply. Check and repair or replace faulty item. Empty container.
Dust comes from the motor cover.	Cartridge filter missing or damaged.	Fit or replace cartridge filter.
Reduced efficiency and increased motor speed/vibration.	Dust container full. Filter clogged. Nozzle, hose or container inlet blocked.	Empty container. Clean or replace cartridge filter. Check nozzle, hose and container inlet for blockage.



WEEE REGULATIONS

Dispose of this product at the end of its working life in compliance with the EU Directive on Waste Electrical and Electronic Equipment (WEEE). When the product is no longer required, it must be disposed of in an environmentally protective way. Contact your local solid waste authority for recycling information.



ENVIRONMENT PROTECTION

Recycle unwanted materials instead of disposing of them as waste. All tools, accessories and packaging should be sorted, taken to a recycling centre and disposed of in a manner which is compatible with the environment. When the product becomes completely unserviceable and requires disposal, drain any fluids (if applicable) into approved containers and dispose of the product and fluids according to local regulations.

Note: It is our policy to continually improve products and as such we reserve the right to alter data, specifications and component parts without prior notice.

Important: No Liability is accepted for incorrect use of this product.

Warranty: Guarantee is 12 months from purchase date, proof of which is required for any claim.

Sealey Group, Kempson Way, Suffolk Business Park, Bury St Edmunds, Suffolk. IP32 7AR



01284 757500



01284 703534



sales@sealey.co.uk



www.sealey.co.uk