



230V HOT GLUE PAINTLESS DENT REPAIR KIT

MODEL NO: RE105

Thank you for purchasing a Sealey product. Manufactured to a high standard, this product will, if used according to these instructions, and properly maintained, give you years of trouble free performance.

IMPORTANT: PLEASE READ THESE INSTRUCTIONS CAREFULLY. NOTE THE SAFE OPERATIONAL REQUIREMENTS, WARNINGS & CAUTIONS. USE THE PRODUCT CORRECTLY AND WITH CARE FOR THE PURPOSE FOR WHICH IT IS INTENDED. FAILURE TO DO SO MAY CAUSE DAMAGE AND/OR PERSONAL INJURY AND WILL INVALIDATE THE WARRANTY. KEEP THESE INSTRUCTIONS SAFE FOR FUTURE USE.



Refer to instructions



Wear eye protection



Wear protective gloves



Wear protective clothing



Hot surfaces

1. SAFETY

1.1. ELECTRICAL SAFETY

- WARNING!** It is the user's responsibility to check the following:
Check all electrical equipment and appliances to ensure that they are safe before using. Inspect power supply leads, plugs and all electrical connections for wear and damage. Sealey recommend that an RCD (Residual Current Device) is used with all electrical products. You may obtain an RCD by contacting your local Sealey dealer.


If the product is used in the course of business duties, it must be maintained in a safe condition and routinely PAT (Portable Appliance Test) tested.

Electrical safety information, it is important that the following information is read and understood.

- 1.1.1. Ensure that the insulation on all cables and on the appliance is safe before connecting it to the power supply.
- 1.1.2. Regularly inspect power supply cables and plugs for wear or damage and check all connections to ensure that they are secure.
- 1.1.3. **Important:** Ensure that the voltage rating on the appliance suits the power supply to be used and that the plug is fitted with the correct fuse - see fuse rating in these instructions.

- ✗ **DO NOT** pull or carry the appliance by the power cable.
- ✗ **DO NOT** pull the plug from the socket by the cable. Remove the plug from the socket by maintaining a firm grip on the plug.
- ✗ **DO NOT** use worn or damaged cables, plugs or connectors. Ensure that any faulty item is repaired or replaced immediately by a qualified electrician.

- 1.1.4. This product is fitted with a BS1363/A 13 Amp 3 pin plug.
If the cable or plug is damaged during use, switch off the electricity supply and remove from use.
Replace a damaged plug with a BS1363/A 13 Amp 3 pin plug. If in doubt contact a qualified electrician.

Class II products are wired with live (brown) and neutral (blue) only are marked with the  Class II symbol;

A) Connect the BROWN live wire to the live terminal 'L'.

B) Connect the BLUE neutral wire to the neutral terminal 'N'.

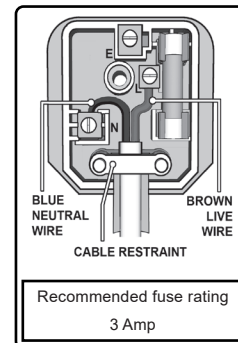
C) After wiring, check that there are no bare wires and ensure that all wires have been correctly connected.

Ensure that the cable outer sheath extends inside the cable restraint and that the restraint is tight.

- ✗ **DO NOT** connect either wire to the earth terminal.
Sealey recommend that repairs are carried out by a qualified electrician.

1.2. GENERAL SAFETY

- WARNING!** Ensure Health & Safety, local authority and general workshop practice regulations are adhered to when using this equipment.
- ✓ Maintain the kit in good condition (use an authorised service agent). Before each use check condition of tool. If any component is worn or damaged, replace immediately. Use genuine parts only. Unauthorised parts may be dangerous and will invalidate the warranty.
- ✗ **DO NOT** operate the kit if any parts are damaged or missing as this may cause failure and/or personal injury.
- ✓ Use in a suitable work area. Keep area free from unrelated materials and ensure that there is adequate lighting.
- WARNING!** Always wear approved eye (or face) and hand protection when operating the kit.
- ✓ Remove ill fitting clothing, ties, watches, rings, other loose jewellery and contain and/or tie back long hair.
- ✓ Maintain correct balance and footing. **DO NOT** over reach, ensure the floor is not slippery, wear non-slip footwear.
- ✓ Keep children and unauthorised persons away from the working area.
- ✗ **DO NOT** operate the kit when you are tired or under the influence of alcohol, drugs or intoxicating medication.
- ✗ **DO NOT** use the kit for any purpose other than that for which it is designed.
- ✓ Familiarise yourself with this products application and limitations, as well as the specific potential hazards peculiar to the glue gun.
- WARNING!** Disconnect the glue gun from the mains power before changing accessories, servicing or performing any maintenance.
- ✓ Maintain the glue gun in good condition (use an authorised service agent).
- ✓ Replace or repair damaged parts. *Use recommended parts only. Unauthorised parts may be dangerous and will invalidate the warranty.*
- WARNING!** Always wear approved eye or face protection when operating the glue gun.
- ✓ Keep the work area clean, uncluttered and ensure there is adequate lighting.
- ✓ Remove ill fitting clothing. Remove ties, watches, rings, and other loose jewellery, and contain/or tie back long hair.
- ✓ Maintain correct balance and footing. Ensure the floor is not slippery and wear non-slip footwear.
- ✗ **DO NOT** let the glue gun get wet or use in damp or wet locations or areas where there is condensation.
- ✗ **DO NOT** place nozzle close to your face (especially eyes, ears, etc) or other persons or animals.

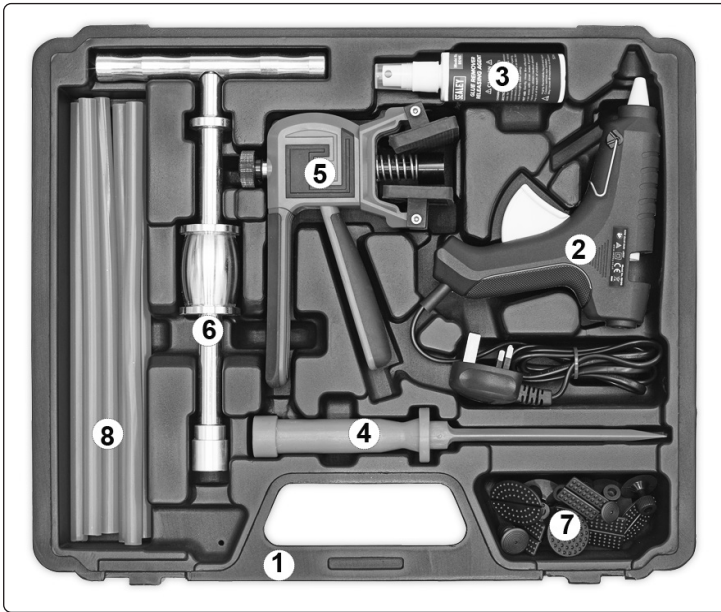


- × **DO NOT** allow children or untrained persons to operate the glue gun.
- × **DO NOT** allow the glue to contact skin.
- × **DO NOT** inhale any vapour given off by the glue.
- × **DO NOT** carry the glue gun with your finger on the power switch, or carry by the power cable.
- × **DO NOT** use the glue gun where there are flammable liquids, solids or gases such as paint solvents, etc.
- × **DO NOT** leave the glue gun unattended whilst it is switched on.
- ✓ When not in use switch the glue gun off, remove plug from the power supply, store safely in the case.

2. INTRODUCTION

High quality kit for the removal of small dents without the need for respraying/refinishing the painted surface. Pulling tool for use on flat surface includes large rubber feet to avoid damage to the paint work and rotates 360 degrees to allow use in more restricted areas. Slide hammer is included for use on bigger dents and dents on corners or curves. 12 Plastic tabs of varying sizes and shapes are included to cover a wide range of dents. Kit includes plastic scraper and glue removal spray to avoid damage to surface.

3. CONTENTS



No	Part no	Description
1	RE105.BMC	Blow moulded case
2	RE105.GG	Glue gun
3	RE105.GRS	Glue removal spray 50cc
4	RE105.PC	Plastic chisel
5	RE105.PPT	Plastic pulling tool
6	RE105.SH	T-bar slide hammer
7		PDR dent repair tabs (12)
8		PDR glue stick (8)

Consumables:

RE105/1	PDR dent repair tabs (pack of 12)
RE105/2	PDR glue stick (pack of 25)

4. OPERATION

4.1. PREPARATION

- 4.1.1. Connect the glue gun to the electric supply.
- 4.1.2. Heat the glue to operating temperature by inserting a glue stick into the gun.
- 4.1.3. Apply hot glue into the dent.
- 4.1.4. Whilst the glue is still hot, press the appropriate dent repair tab into the glue. Wait for the glue to set.

4.2. DENT PULLING (Plastic Pulling Tool)

- 4.2.1. Place the pulling tool over the dent.
- 4.2.2. Connect the boss of the dent repair tab into the slotted opening at the end of the pulling shaft (fig.1).
- 4.2.3. Take up the slack by means of the knurled wheel above the handle.
- 4.2.4. Close the handles of the puller gently, pulling the dent out.

4.3. DENT PULLING (Slide Hammer)

- 4.3.1. A slide hammer is included for use with larger dents or dents in locations which preclude the use of the pulling tool.
- 4.3.2. Follow steps 4.1.1 to 4.1.4.
- 4.3.3. Connect the slide hammer to the dent repair tab as in fig.2.
- 4.3.4. Proceed to pull the dent out by striking the slide hammer weight against the stop.

4.4. TAB REMOVAL

- 4.4.1. Using the scraper, ease the glue away from the painted surface. The glue release spray will help with the release.
- 4.4.2. The dent repair tabs can be reused.





ENVIRONMENT PROTECTION

Recycle unwanted materials instead of disposing of them as waste. All tools, accessories and packaging should be sorted, taken to a recycling centre and disposed of in a manner which is compatible with the environment. When the product becomes completely unserviceable and requires disposal, drain any fluids (if applicable) into approved containers and dispose of the product and fluids according to local regulations.



WEEE REGULATIONS

Dispose of this product at the end of its working life in compliance with the EU Directive on Waste Electrical and Electronic Equipment (WEEE). When the product is no longer required, it must be disposed of in an environmentally protective way. Contact your local solid waste authority for recycling information.

Note: It is our policy to continually improve products and as such we reserve the right to alter data, specifications and component parts without prior notice.

Important: No Liability is accepted for incorrect use of this product.

Warranty: Guarantee is 12 months from purchase date, proof of which is required for any claim.

Sealey Group, Kempson Way, Suffolk Business Park, Bury St Edmunds, Suffolk. IP32 7AR



01284 757500



01284 703534



sales@sealey.co.uk



www.sealey.co.uk