



4-LEVEL BUMPER RACK

MODEL NO: RE55.V7

Thank you for purchasing a Sealey product. Manufactured to a high standard, this product will, if used according to these instructions, and properly maintained, give you years of trouble free performance.

IMPORTANT: PLEASE READ THESE INSTRUCTIONS CAREFULLY. NOTE THE SAFE OPERATIONAL REQUIREMENTS, WARNINGS & CAUTIONS. USE THE PRODUCT CORRECTLY AND WITH CARE FOR THE PURPOSE FOR WHICH IT IS INTENDED. FAILURE TO DO SO MAY CAUSE DAMAGE AND/OR PERSONAL INJURY AND WILL INVALIDATE THE WARRANTY. KEEP THESE INSTRUCTIONS SAFE FOR FUTURE USE.



Refer to instructions

1. SAFETY

- ✓ Familiarise yourself with the application, limitations and hazards of the rack.
- ✓ Maintain the rack in good condition (use authorised replacement parts).
- ✓ Keep the rack clean for best and safest performance.
- ✓ Locate the rack in a suitable work area.
- ❑ **WARNING!** Use the rack on level and solid ground, preferably concrete.
- ✗ **DO NOT** overload the rack.
- ✗ **DO NOT** climb on the rack.
- ✗ **DO NOT** use the rack for any purpose other than for which it is designed.
- ✗ **DO NOT** use the rack if any parts are damaged or missing as this may cause failure and/or personal injury.
- ✓ Keep the work area clean, uncluttered and ensure that there is adequate lighting.
- ✓ Keep children and unauthorised persons away from the work area.
- ❑ **WARNING!** The warnings, cautions and instructions discussed in this manual cannot cover all possible conditions and situations that may occur. It must be understood that common sense and caution are factors which cannot be built into this product, but must be applied by the operator.

2. INTRODUCTION

Double sided rack for safe and tidy workshop storage of most vehicle bumpers. Heavy duty construction ideal for use in body shops. Four pairs of height adjustable support arms for maximum capacity and flexibility. Fitted with four castors, two with brake, for maximum manoeuvrability and safe positioning.

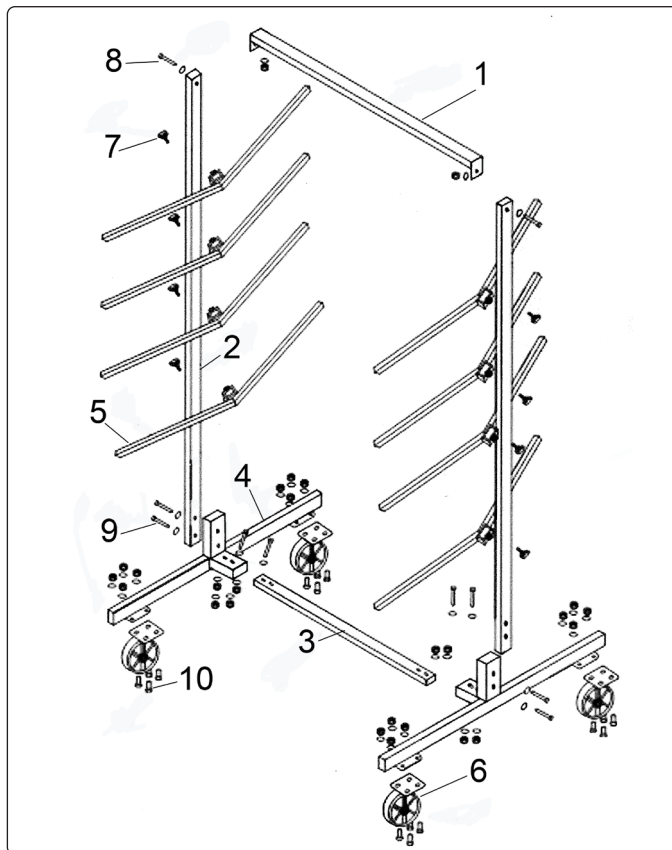
3. SPECIFICATION

Model No.....RE55
 Width..... 1170mm
 Height 2180mm
 Arm length..... 520mm
 Safe working load..... 160kg

4. ASSEMBLY

4.1. Check quantities of parts.

Item	Description	Qty.
1	Horizontal top bar	1Pc
2	Vertical support bar	2Pcs
3	Horizontal bottom bar	1Pc
4	Base bar	2Pcs
5	Bumper support bar	8Pcs
6	Castors	4Pcs
7	Knob	8Pcs
8	Bolt, Washers, Nut	2Sets
9	Bolt, Washers, Nut	8Sets
10	Bolt, Washers, Nut	16Sets



- 4.2. Using bolt set (10) attach casters (6) to base bars (4).
- 4.3. Using bolt set (9) attach horizontal bottom bar (3) to base bars (4).
- 4.4. Slide bumper support bars (5) on to vertical support bars (2), clamp in position using knob (7).
- 4.5. Side vertical support bars (2) on to base bars (4) see diagram. Fix/bolt together using bolt set (9). Ensure the clamping knobs (7) are positioned as shown.
- 4.6. Using bolt set (8) attach horizontal top bar (1) taking necessary precautions as this is above head height.



ENVIRONMENT PROTECTION

Recycle unwanted materials instead of disposing of them as waste. All tools, accessories and packaging should be sorted, taken to a recycling centre and disposed of in a manner which is compatible with the environment. When the product becomes completely unserviceable and requires disposal, drain any fluids (if applicable) into approved containers and dispose of the product and fluids according to local regulations.

Note: It is our policy to continually improve products and as such we reserve the right to alter data, specifications and component parts without prior notice. Please note that other versions of this product are available. If you require documentation for alternative versions, please email or call our technical team on technical@sealey.co.uk or 01284 757505.

Important: No Liability is accepted for incorrect use of this product.

Warranty: Guarantee is 12 months from purchase date, proof of which is required for any claim.

Sealey Group, Kempson Way, Suffolk Business Park, Bury St Edmunds, Suffolk. IP32 7AR



01284 757500



01284 703534



sales@sealey.co.uk



www.sealey.co.uk