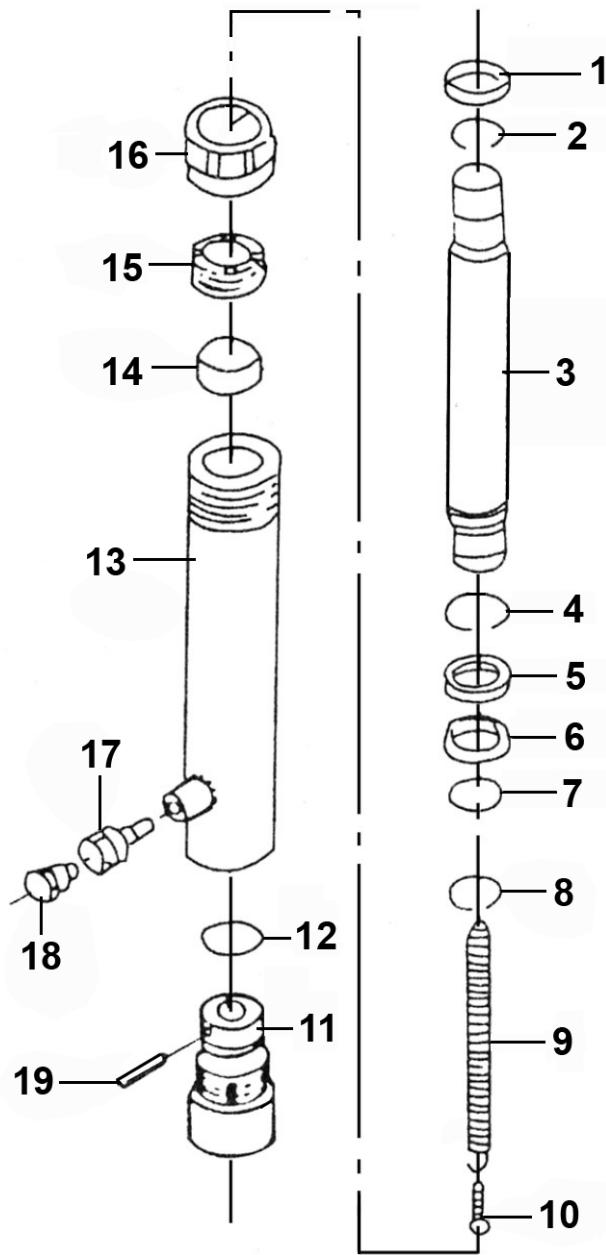


Parts Information:
Push Ram - Maxi 10tonne
Model No: RE97XM10



Item	Part No.	Description
1	RE97XM10.01	Collar
2	RE97XM10.02	Snap Ring
3	RE97XM10.03	Piston Rod
4	RE97XM10.04	Snap Ring
5	RE97XM10.05	Bushing
6	RE97XM10.06	Seal
7	RE97XM10.07	O-Ring, (Ex: 46.16 In: 40.02 Cs: 3.07)
8	RE97XM10.08	Snap Ring
9	RE97XM10.09	Spring C/W Part 10 Dia 20.9mm
10	RE97XM10.10	Screw

Item	Part No.	Description
11	RE97XM10.11	Cylinder Base
12	RE97XM10.12	O-Ring, (Ex: 45.20 In: 38.97 Cs: 3.11)
13	RE97XM10.13	Cylinder
14	RE97XM10.14	Cylinder Collar
15	RE97XM10.15	Cylinder Screw
16	RE97XM10.16	Thread Protector Ring
17	RE97XS10.06	Quick Coupler
18	RE97XM10.18	Dust Cover
19	RE97XM10.19	Spring Pin

NOTE: It is our policy to continually improve products and as such we reserve the right to alter data, specifications and component parts without prior notice. There may be alternative versions of this product, please contact us should you require this information.

IMPORTANT: No liability is accepted for incorrect use of product. Spare parts must be fitted by a competent person

WARRANTY: Guarantee is 12 months from purchase date, proof of which will be required for any claim.