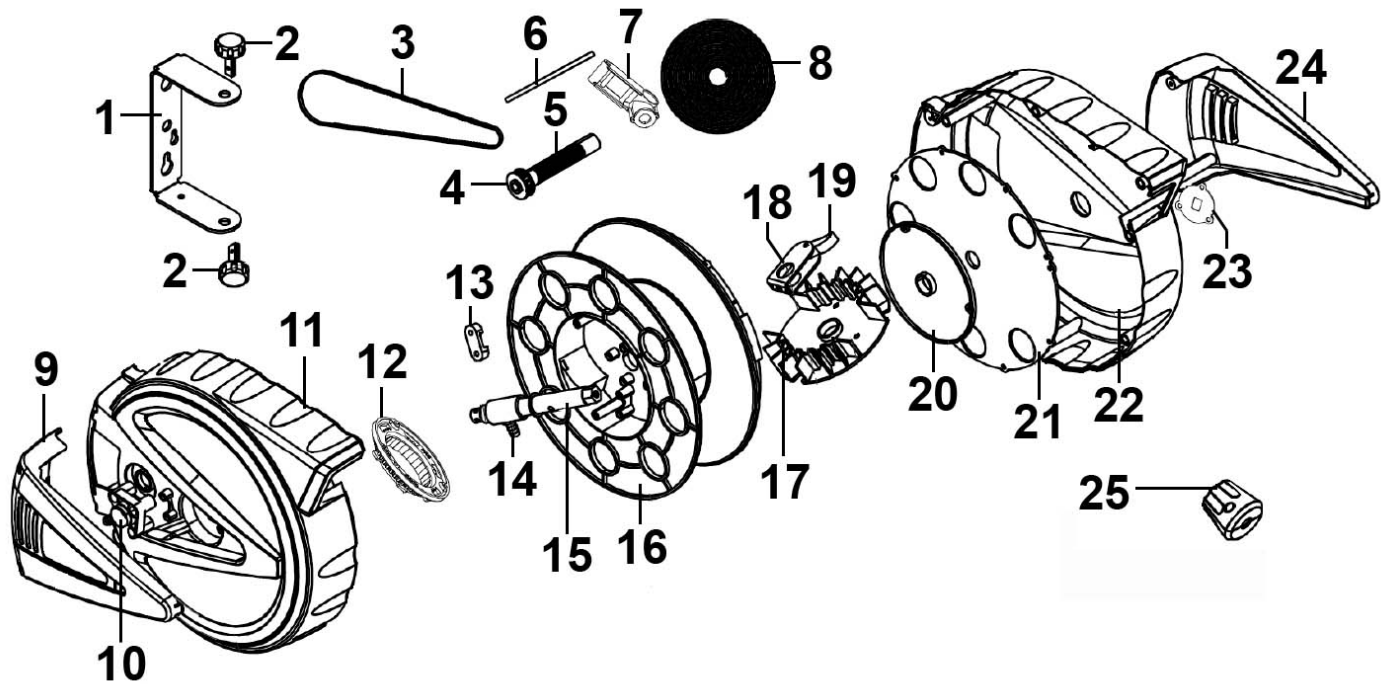


Parts Information:
**Retractable Air Hose Reel 15m 8mm ID -
 PU Hose**
Model No: SA814.V2



Item	Part No.	Description
1	SA814.V2-01	Wall Bracket
2	SA814.V2-02	Wall Bracket Pin
3	SA814.V2-03	Belt
4	SA814.V2-04	Small Gear
5	SA814.V2-05	Shaft
6	SA814.V2-06	Axle
7	SA814.V2-07	Rack Ass'y
8	SA814.V2-08	Spring
9	SA814.V2-09	Left Hand Case Cover
10	SA814.V2-10	Inlet Hose Connector
11	SA814.V2-11	Left Hand Case
12	SA814.V2-12	Gear Plate Ass'y
13	SA814.V2-13	Clip

Item	Part No.	Description
14	SA814.V2-14	Inner Hose Connector
15	SA814.V2-15	Main Shaft
16	SA814.V2-16	Drum
17	SA814.V2-17	Ratchet
18	SA814.V2-18	Ratchet Bracket
19	SA814.V2-19	Ratchet Pawl
20	SA814.V2-20	Spring Inner Cover
21	SA814.V2-21	Spring Outer Cover
22	SA814.V2-22	Right Hand Case
23	SA814.V2-23	Tension Cover
24	SA814.V2-24	Right Hand Cover
25	SA814.V2-25	Stop Ball

NOTE: It is our policy to continually improve products and as such we reserve the right to alter data, specifications and component parts without prior notice. There may be alternative versions of this product, please contact us should you require this information.

IMPORTANT: No liability is accepted for incorrect use of product. Spare parts must be fitted by a competent person

WARRANTY: Guarantee is 12 months from purchase date, proof of which will be required for any claim.